

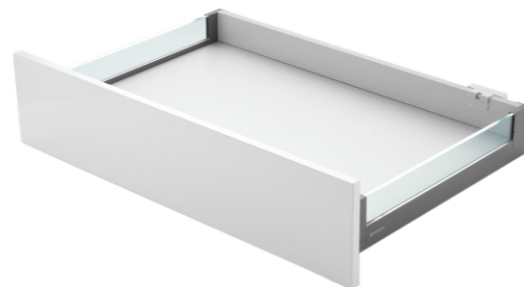


Glass Magic Box



Glass magic box with led-80mm

- Full extension with self closing and soft closing
- Fashionable appearance,slow motion,easy assembling
- Drawer height 80MM
- Synchronized concealed slide, loading capacity 30KGS
- Epoxy coated
- 3D regulations,up and down,left and right,front and back
- Mat:aluminum+glass



GLASS MAGIC BOX WITH LED

► H80

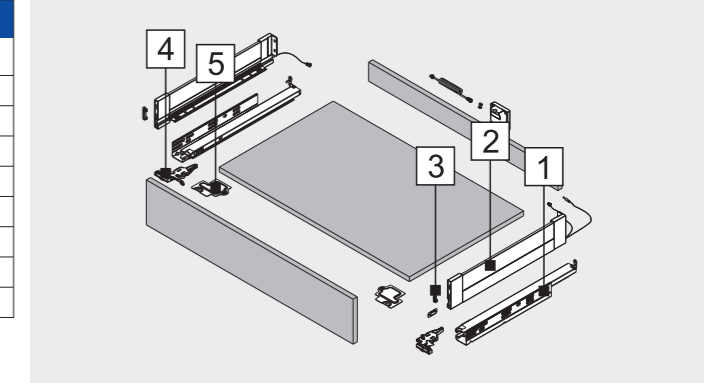


Order information

H80mm Glass magic box with LED item code		
Nominal length	Item code	The complete set basic components includes
270 mm	DBF1.270A1.(*)	1.Concealed slide Left/Right
300 mm	DBF1.300A1.(*)	2.Glass drawer side with LED Left/Right
350 mm	DBF1.350A1.(*)	3.Front fixing brackets 1*2pcs
400 mm	DBF1.400A1.(*)	4.Clip-on fixing Left/Right
450 mm	DBF1.450A1.(*)	5.Spacer for clip Left/Right
500 mm	DBF1.500A1.(*)	
550 mm	DBF1.550A1.(*)	

Remarks:
(*)-Color: Matt white (MW) / Dark grey(DG)

Product breakdown drawing



1.Concealed slide Left/Right

Description	Concealed slide Left/Right
	DBE.(*)SL.ZP
	Remarks:(*):Nominal length:270/300/350/400/450/500/550

2.Glass drawer side with LED Left/Right

Description	Glass drawer side with LED Left/Right
	DBF.(*)AW1.(*)
	Remarks:(*):Nominal length:270/300/350/400/450/500/550 (*)Color: Matt white (MW) / Dark grey(DG)

3.Front fixing brackets

Description	Front fixing brackets
	DA1102F1.80.(*)
	Remarks:(*):Color: Matt white (MW) / Dark grey(DG)

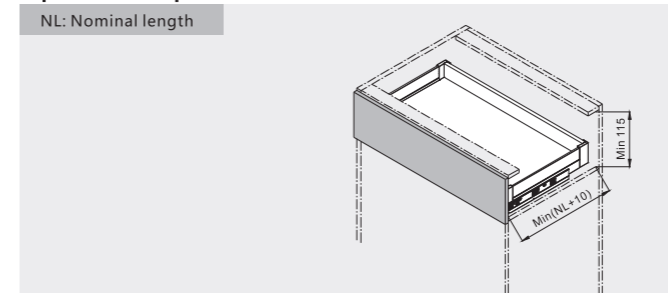
4.Clip-on fixing Left/Right

Description	Clip-on fixing Left/Right
	CL12E.P3

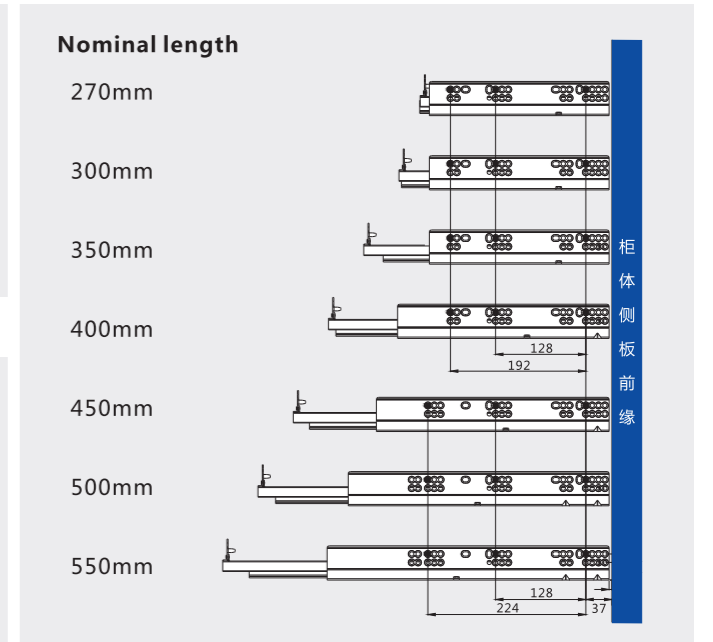
5.Spacer for clip Left/Right

Description	Spacer for clip Left/Right
	DA1101F.ZP

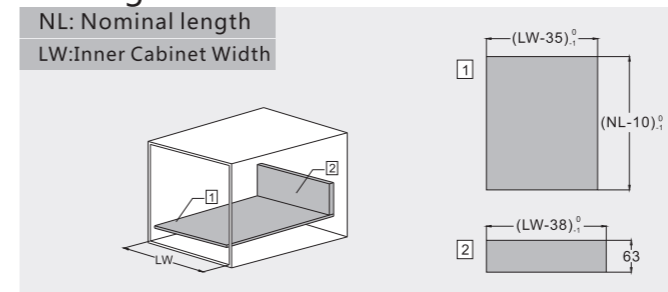
Space required



Runner Installation



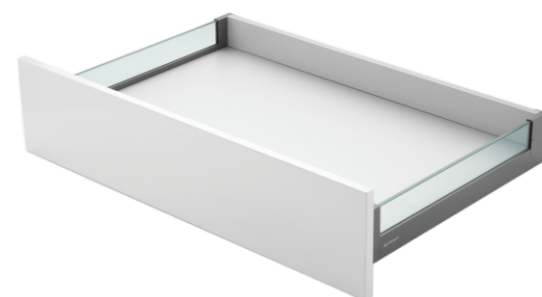
Cutting size





Glass magic box -80mm

- Full extension with self closing and soft closing
- Fashionable appearance,slow motion,easy assembling
- Drawer height 80MM
- Synchronized concealed slide, loading capacity 30KGS
- Epoxy coated
- 3D regulations,up and down,left and right,front and back
- Mat:aluminum+glass



GLASS MAGIC BOX

► H80

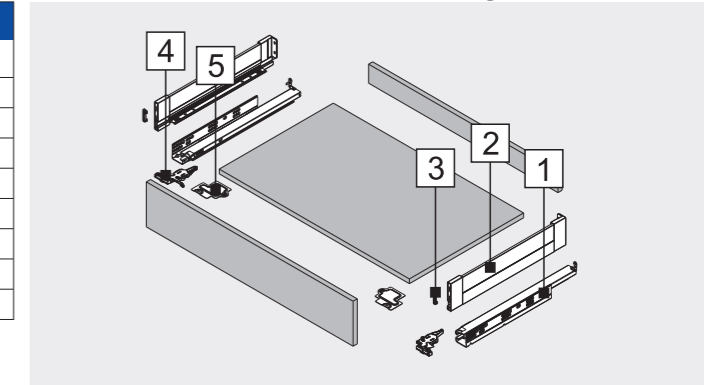


Order information

H80mm Glass magic box item code		
Nominal length	Item code	The complete set basic components includes
270 mm	DBF1.270A2.(*)	1.Concealed slide Left/Right
300 mm	DBF1.300A2.(*)	2.Glass drawer side Left/Right
350 mm	DBF1.350A2.(*)	3.Front fixing brackets 1*2pcs
400 mm	DBF1.400A2.(*)	4.Clip-on fixing Left/Right
450 mm	DBF1.450A2.(*)	5.Spacer for clip Left/Right
500 mm	DBF1.500A2.(*)	
550 mm	DBF1.550A2.(*)	

Remarks:
(*)Color: Matt white (MW) / Dark grey(DG)

Product breakdown drawing



1.Concealed slide Left/Right

Description	Concealed slide Left/Right
	DBE.(*)SL.ZP
	Remarks:(*)Nominal length:270/300/350/400/450/500/550

2.Glass drawer side Left/Right

Description	Glass drawer side Left/Right
	DBF.(*)AW2.(*)
	Remarks:(*)Nominal length:270/300/350/400/450/500/550 (*)Color: Matt white (MW) / Dark grey(DG)

3.Front fixing brackets

Description	Front fixing brackets
	DA1102F1.80.(*)
	Remarks:(*)Color: Matt white (MW) / Dark grey(DG)

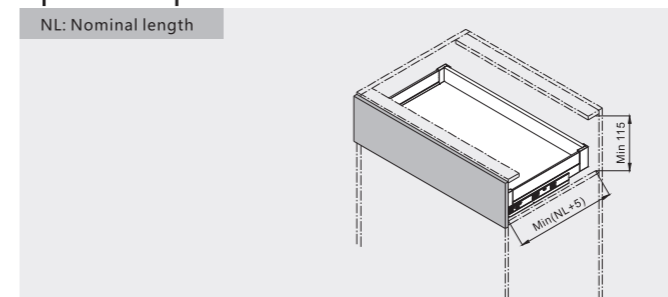
4.Clip-on fixing Left/Right

Description	Clip-on fixing Left/Right
	CL12E.P3

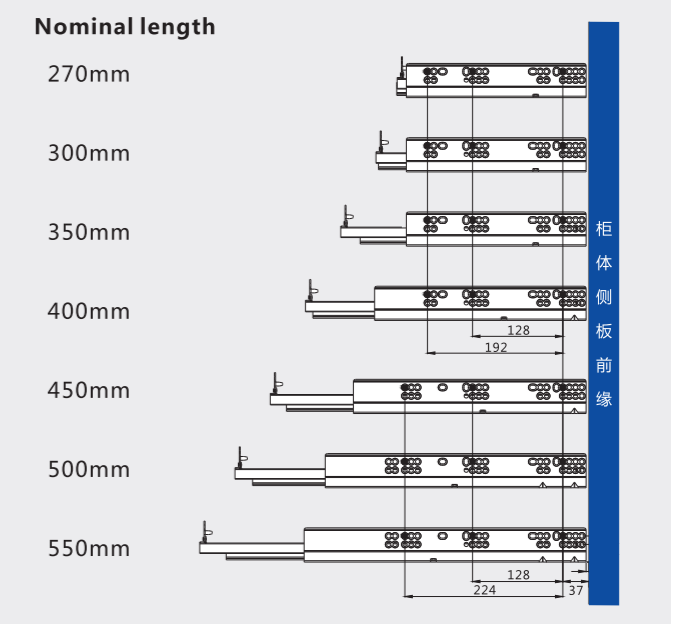
5.Spacer for clip Left/Right

Description	Spacer for clip Left/Right
	DA1101F.ZP

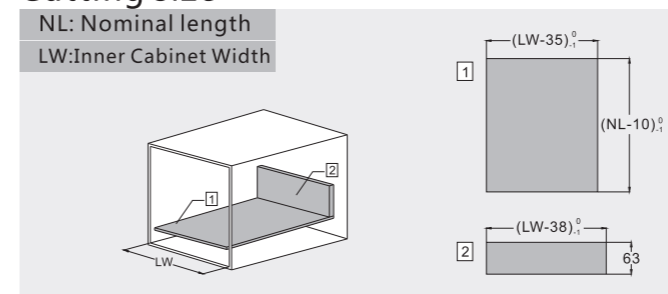
Space required



Runner Installation



Cutting size





GLASS MAGIC BOX WITH LED

► H120

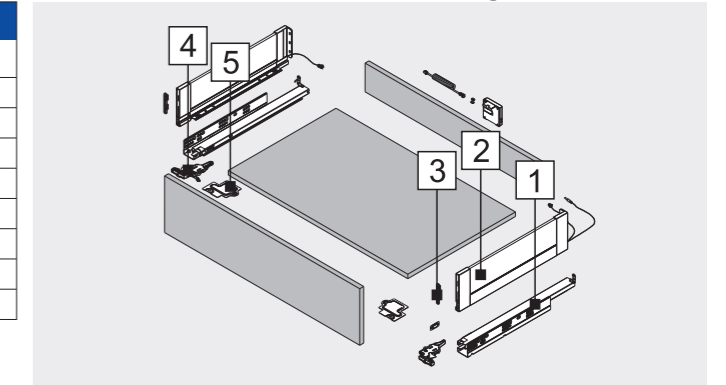


Order information

H120mm Glass magic box with LED item code		
Nominal length	Item code	The complete set basic components includes
270 mm	DBF1.270B1.(*)	1.Concealed slide Left/Right
300 mm	DBF1.300B1.(*)	2.Glass drawer side with LED Left/Right
350 mm	DBF1.350B1.(*)	3.Front fixing brackets 1*2pcs
400 mm	DBF1.400B1.(*)	4.Clip-on fixing Left/Right
450 mm	DBF1.450B1.(*)	5.Spacer for clip Left/Right
500 mm	DBF1.500B1.(*)	
550 mm	DBF1.550B1.(*)	

Remarks:
(*)-Color: Matt white (MW) / Dark grey(DG)

Product breakdown drawing



1.Concealed slide Left/Right	
Description	Concealed slide Left/Right
	DBE.(*)SL.ZP
	Remarks:(*)Nominal length:270/300/350/400/450/500/550

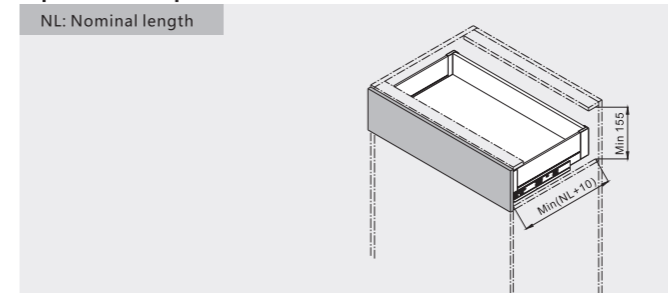
2.Glass drawer side with LED Left/Right	
Description	Glass drawer side with LED Left/Right
	DBF.(*)BW1.(*)
	Remarks:(*)Nominal length:270/300/350/400/450/500/550 (*)Color: Matt white (MW) / Dark grey(DG)

3.Front fixing brackets	
Description	Front fixing brackets
	DA1102F1.120.(*)
	Remarks:(*)Color: Matt white (MW) / Dark grey(DG)

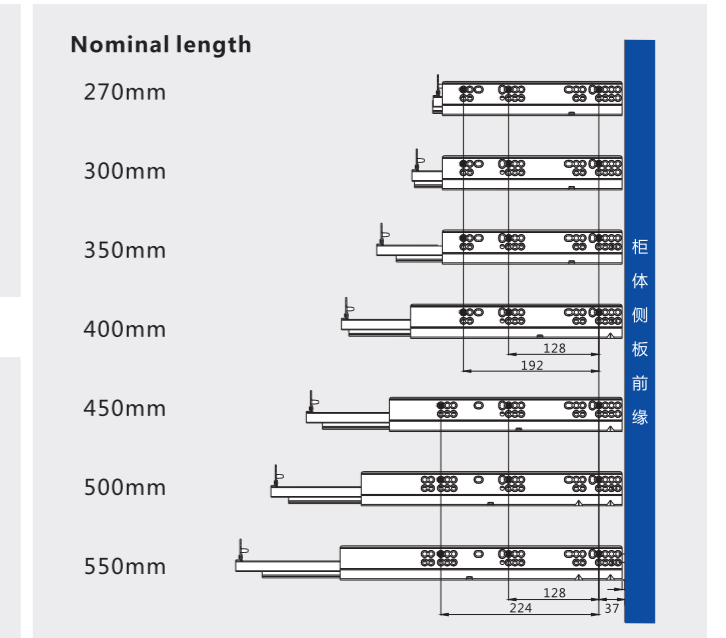
4.Clip-on fixing Left/Right	
Description	Clip-on fixing Left/Right
	CL12E.P3

5.Spacer for clip Left/Right	
Description	Spacer for clip Left/Right
	DA1101F.ZP

Space required



Runner Installation

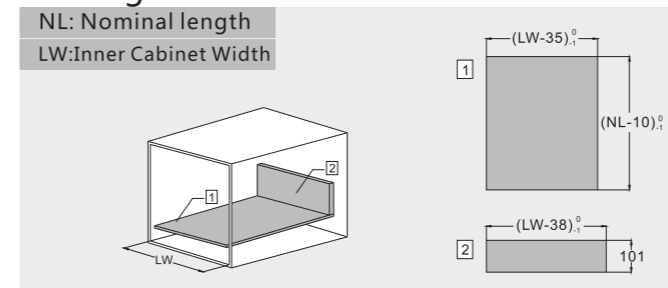


Glass magic box with led-120mm

- Full extension with self closing and soft closing
- Fashionable appearance,slow motion,easy assembling
- Drawer height 120MM
- Synchronized concealed slide, loading capacity 30KGS
- Epoxy coated
- 3D regulations,up and down,left and right,front and back
- Mat:aluminum+glass



Cutting size





GLASS MAGIC BOX

► H120

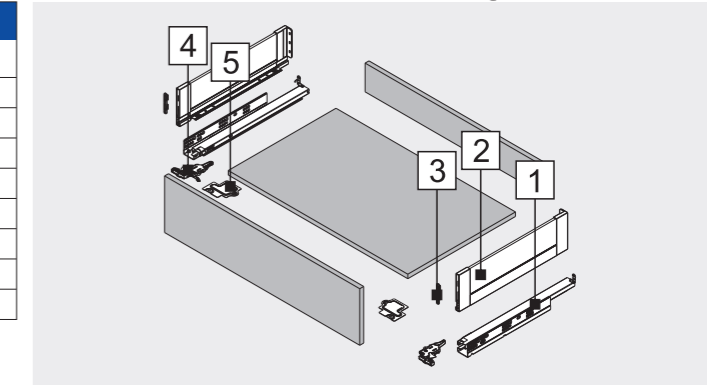


Order information

H120mm Glass magic box item code		
Nominal length	Item code	The complete set basic components includes
270 mm	DBF1.270B2.(*)	1.Concealed slide Left/Right
300 mm	DBF1.300B2.(*)	2.Glass drawer side Left/Right
350 mm	DBF1.350B2.(*)	3.Front fixing brackets 1*2pcs
400 mm	DBF1.400B2.(*)	4.Clip-on fixing Left/Right
450 mm	DBF1.450B2.(*)	5.Spacer for clip Left/Right
500 mm	DBF1.500B2.(*)	
550 mm	DBF1.550B2.(*)	

Remarks:
(*)Color: Matt white (MW) / Dark grey(DG)

Product breakdown drawing



1.Concealed slide Left/Right	
Description	Concealed slide Left/Right DBE.(*)SL.ZP
Remarks:(*)Nominal length:270/300/350/400/450/500/550	

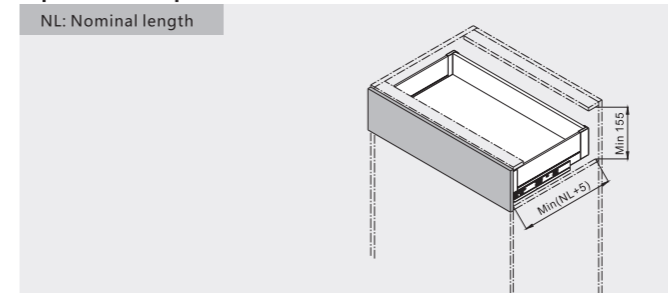
2.Glass drawer side Left/Right	
Description	Glass drawer side Left/Right DBF.(*)BW2.(*)
Remarks:(*)Nominal length:270/300/350/400/450/500/550 (*)Color: Matt white (MW) / Dark grey(DG)	

3.Front fixing brackets	
Description	Front fixing brackets DA1102F1.120.(*)
Remarks:(*)Color: Matt white (MW) / Dark grey(DG)	

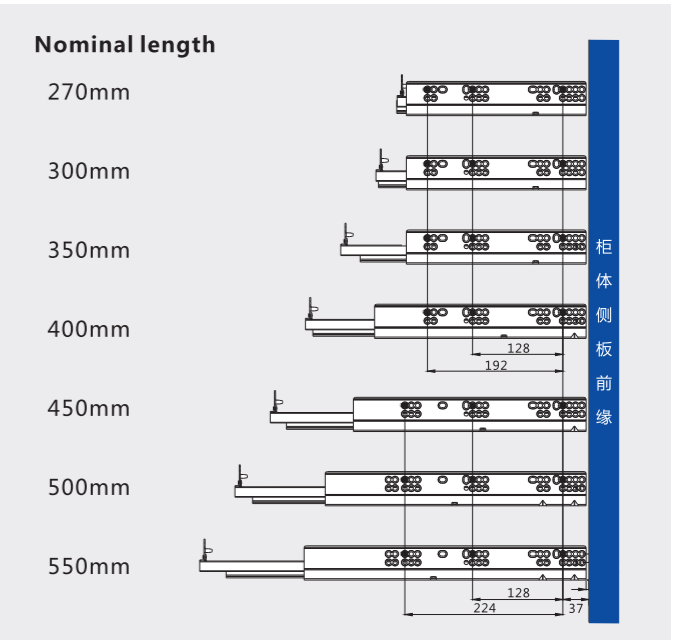
4.Clip-on fixing Left/Right	
Description	Clip-on fixing Left/Right CL12E.P3

5.Spacer for clip Left/Right	
Description	Spacer for clip Left/Right DA1101F.ZP

Space required

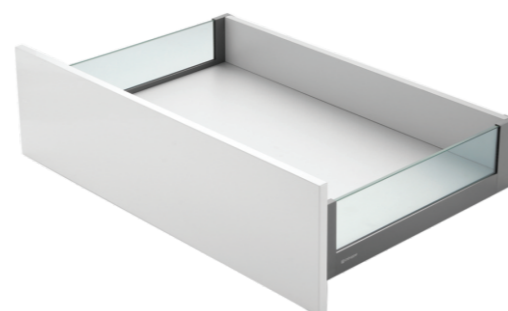


Runner Installation

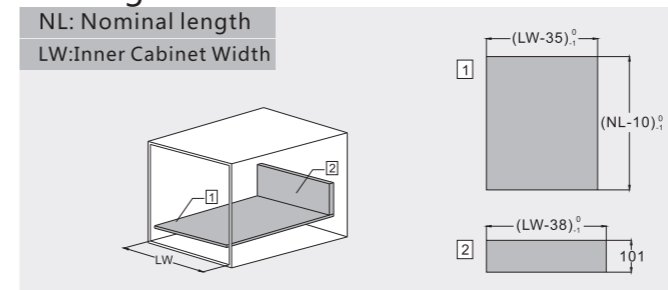


Glass magic box -120mm

- Full extension with self closing and soft closing
- Fashionable appearance,slow motion,easy assembling
- Drawer height 120MM
- Synchronized concealed slide, loading capacity 30KGS
- Epoxy coated
- 3D regulations,up and down,left and right,front and back
- Mat:aluminum+glass



Cutting size





GLASS MAGIC BOX WITH LED

► H170

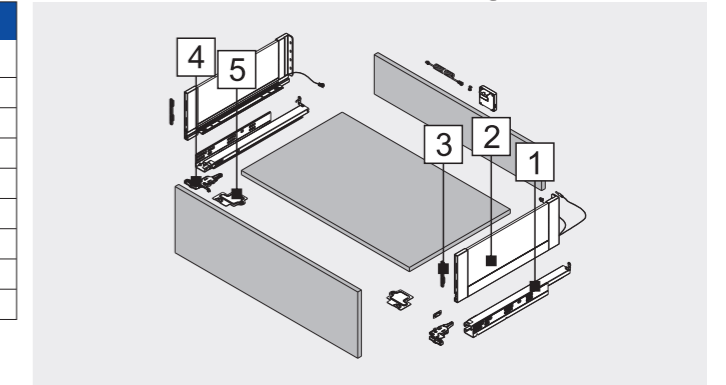


Order information

H170mm Glass magic box with LED item code		
Nominal length	Item code	The complete set basic components includes
270 mm	DBF1.270C1.(*)	1.Concealed slide Left/Right
300 mm	DBF1.300C1.(*)	2.Glass drawer side with LED Left/Right
350 mm	DBF1.350C1.(*)	3.Front fixing brackets 1*2pcs
400 mm	DBF1.400C1.(*)	4.Clip-on fixing Left/Right
450 mm	DBF1.450C1.(*)	5.Spacer for clip Left/Right
500 mm	DBF1.500C1.(*)	
550 mm	DBF1.550C1.(*)	

Remarks:
(*)-Color: Matt white (MW) / Dark grey(DG)

Product breakdown drawing



1.Concealed slide Left/Right	
Description	Concealed slide Left/Right
	DBE.(*)SL.ZP
	Remarks:(*)Nominal length:270/300/350/400/450/500/550

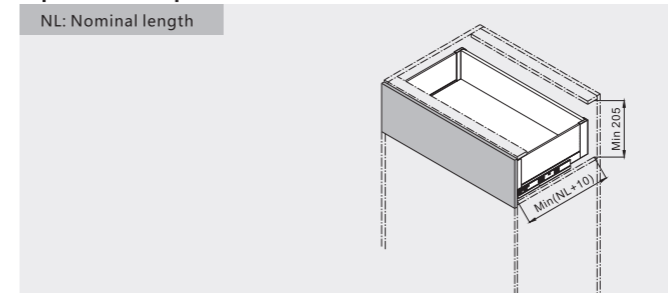
2.Glass drawer side with LED Left/Right	
Description	Glass drawer side with LED Left/Right
	DBF.(*)CW1.(*)
	Remarks:(*)Nominal length:270/300/350/400/450/500/550 (*)Color: Matt white (MW) / Dark grey(DG)

3.Front fixing brackets	
Description	Front fixing brackets
	DA1102F1.170.(*)
	Remarks:(*)Color: Matt white (MW) / Dark grey(DG)

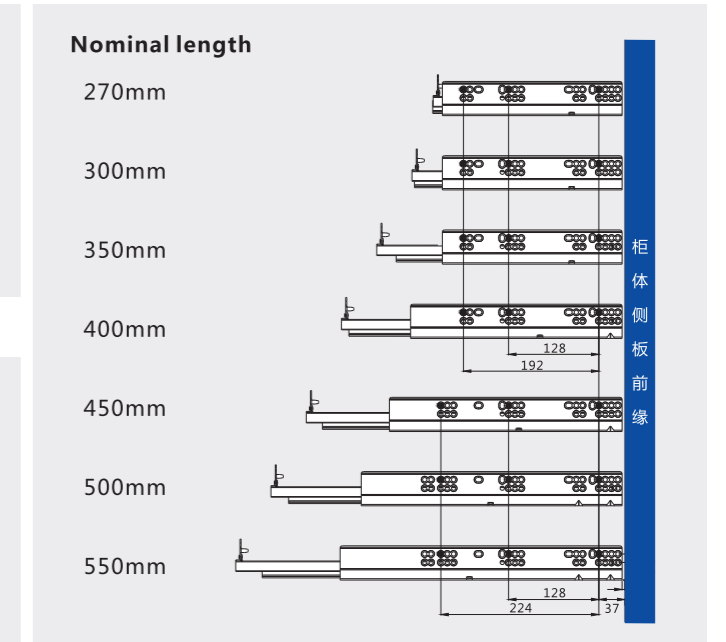
4.Clip-on fixing Left/Right	
Description	Clip-on fixing Left/Right
	CL12E.P3

5.Spacer for clip Left/Right	
Description	Spacer for clip Left/Right
	DA1101F.ZP

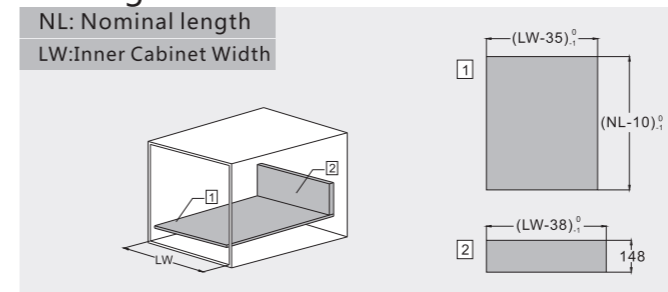
Space required



Runner Installation

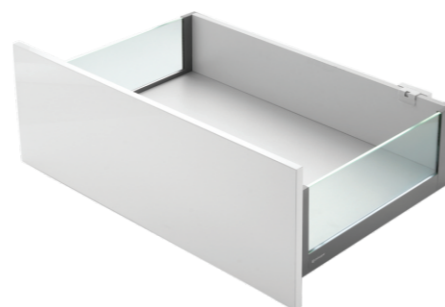


Cutting size



Glass magic box with led-170mm

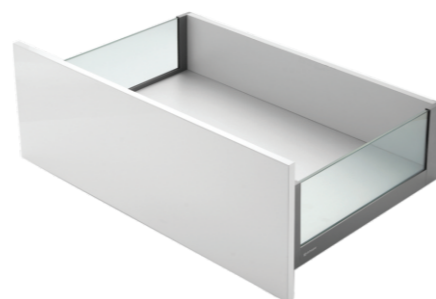
- Full extension with self closing and soft closing
- Fashionable appearance,slow motion,easy assembling
- Drawer height 170MM
- Synchronized concealed slide, loading capacity 30KGS
- Epoxy coated
- 3D regulations,up and down,left and right,front and back
- Mat:aluminum+glass





Glass magic box -170mm

- Full extension with self closing and soft closing
- Fashionable appearance,slow motion,easy assembling
- Drawer height 170MM
- Synchronized concealed slide, loading capacity 30KGS
- Epoxy coated
- 3D regulations,up and down,left and right,front and back
- Mat:aluminum+glass



GLASS MAGIC BOX

► H170

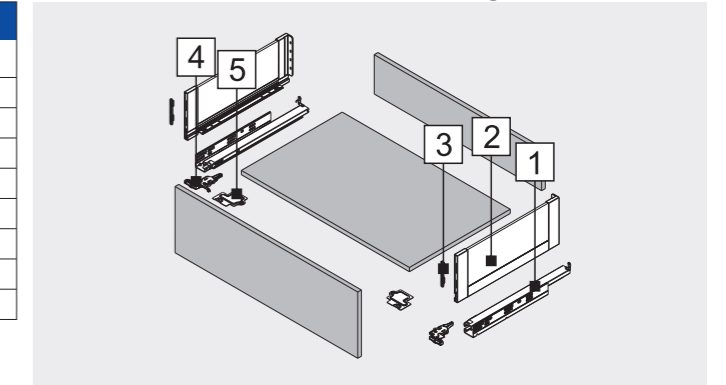


Order information

H170mm Glass magic box item code		
Nominal length	Item code	The complete set basic components includes
270 mm	DBF1.270C2.(*)	1.Concealed slide Left/Right
300 mm	DBF1.300C2.(*)	2.Glass drawer side Left/Right
350 mm	DBF1.350C2.(*)	3.Front fixing brackets 1*2pcs
400 mm	DBF1.400C2.(*)	4.Clip-on fixing Left/Right
450 mm	DBF1.450C2.(*)	5.Spacer for clip Left/Right
500 mm	DBF1.500C2.(*)	
550 mm	DBF1.550C2.(*)	

Remarks:
(*)Color: Matt white (MW) / Dark grey(DG)

Product breakdown drawing



1.Concealed slide Left/Right	
Description	Concealed slide Left/Right
	DBE.(*)SL.ZP
	Remarks:(*)Nominal length:270/300/350/400/450/500/550

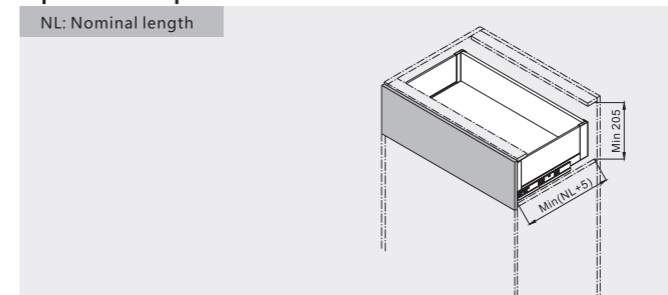
2.Glass drawer side Left/Right	
Description	Glass drawer side Left/Right
	DBF.(*)CW2.(*)
	Remarks:(*)Nominal length:270/300/350/400/450/500/550 (*)Color: Matt white (MW) / Dark grey(DG)

3.Front fixing brackets	
Description	Front fixing brackets
	DA1102F1.170.(*)
	Remarks:(*)Color: Matt white (MW) / Dark grey(DG)

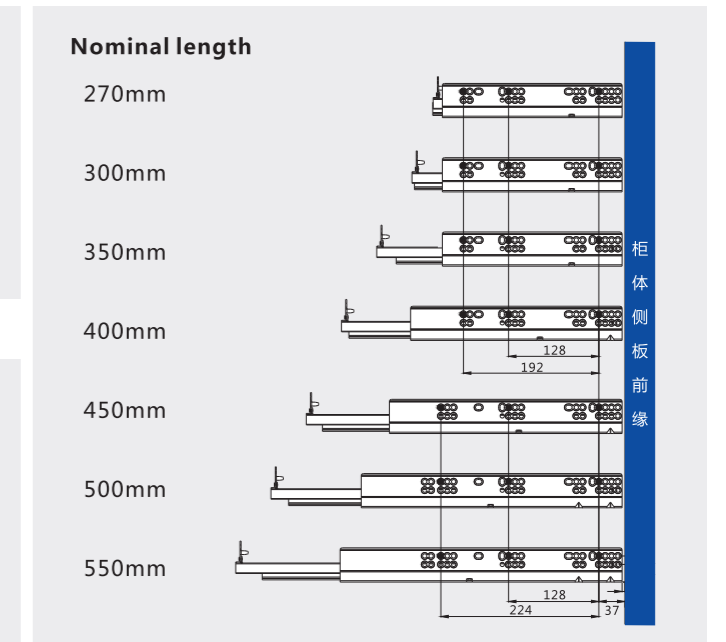
4.Clip-on fixing Left/Right	
Description	Clip-on fixing Left/Right
	CL12E.P3

5.Spacer for clip Left/Right	
Description	Spacer for clip Left/Right
	DA1101F.ZP

Space required



Runner Installation



Cutting size

