



GUANGDONG UNIHOPPER PRECISION TECHNOLOGY
CORPERATION LIMITED

Operating center: Rm2404 Building B, Fengxing Plaza, No.242,
Tianhe Rd, Tianhe District, Guangzhou City

Headquarter: Unihopper industrial park, No.9 Chuangye
road, High-tech Industrial Development Zone ,Zhaoqing City,
Guangdong Province, China

TEL: +86-758 3212918/3212919
FAX: +86-758 3212921
Email: pansheng@unihopper.biz

↙
www.unihopper.biz/en

2304.3K



Official wechat



Official website

FOR PRODUCTS CONSTANTLY UPGRADING, PRODUCTS APPEARANCE AND SPECIFICATION MAY CHANGE. PRODUCT PLEASE
IN KIND PREVAIL, CONTENT IMAGES ARE FOR REFERENCE ONLY.



DRAWER AND CABINET SYSTEM

Designed by UNIHOPPER

DRAWER AND CABINET SYSTEM



DRAWER AND CABINET SYSTEM

DRAWER AND
CABINET SYSTEM

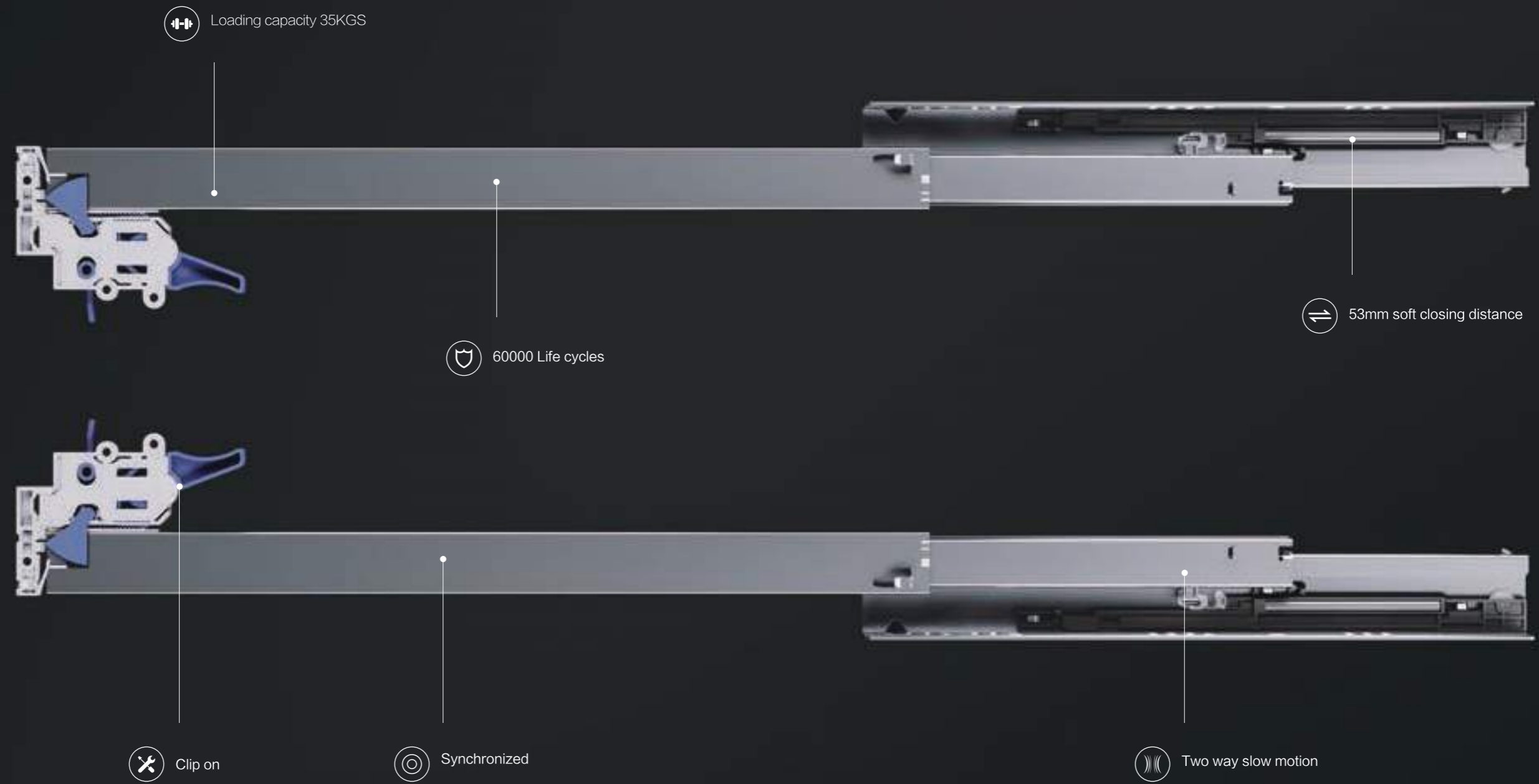


UNIHOPPER



DRAWER BOX

THE SOUL OF THE SYSTEM





Unihopper Intelligent industrial park

MILESTONES

2005 >

In order to reduce the cost of ODM, Unihopper decided to invest with the advanced technology from Europe and construct the production base in China.

2010 >

Unihopper successfully researched and developed the third generation interactive two-way soft closing drawer box and synchronize conceal slide.

2013 >

The union design group successfully researched and developed basket and wardrobe storage system (MOKA).

2015 >

Unihopper successfully researched and developed the fifth generation interactive two-way soft closing drawer box-Magic box, and successfully hosted the "Night of Unihopper" in Beijing wardrobe annual conference.

2016 >

Unihopper successfully hosted "Unihopper summit conference" in Guangzhou, and announced Unihopper would globalize the brand.

2017 >

Unihopper successfully hosted the second "Unihopper summit conference". Same time, Unihopper Business College was founded.

2019 >

Unihopper successfully hosted the third "Unihopper summit conference", and founded the new Unihopper production base and Unihopper brand-day. For better global development, Unihopper set up the "Belt and Road" concept. Same year, Unihopper researched and developed the Phantom kitchen storage system and Co-box.

2020 >

Unihopper become one of the home decoration drafting committee for Hinge, slide and basket. In the same year, Unihopper won the National High-tech Enterprise. Vanka, COKA have been introduced to the market.

2021 >

Unihopper new production base with 120,000 sqm put into use officially.

2022 >

Unihopper international R&D center and the flagship showroom in the new headquarters fully open to the public.

BRIEF INTRODUCTION

Unihopper, a high-end customized home brand and the provider for comprehensive solutions of hardware supporting, implements the "Belt and Road" global development strategy to develop the global market. Offering the Uni-products, Uni-design, and Uni-service to every corner of the world.

After years of development, Unihopper has sole agents in dozens of countries and regions around the world, such as Netherlands, Canada, Russia, Slovenia, Argentina, Korea, Iran, Spain, Portugal, Ireland, Saudi Arabia, Colombia, South Africa, India, Southeast Asia Regions and China HongKong, Macao and Taiwan regions and so on; and now, Unihopper has become a major suppliers for many well-known cabinet and home brands in the world.

In 2005, Unihopper set up a production base and established a large storage center in Nanhai city in China, and a new intelligent Uni-industrial park of more than 120,000 square meters will also be put into use in 2021. As one of the best name and provider for the high-end customized furniture hardware industry, Unihopper has always upheld the brand values of "European quality, Chinese price", and now, has become a leading brand popularizing in many home furnishing companies and consumers all over the world. In the future, Unihopper will increase more investment in space enlarging, strengthen multi-dimensional development including product application, intelligent scene introduction, online and offline channel integration, striving to become the best home storage master around consumers' life.



GS Quality Test
Certification



ISO 9001 Quality
Management Certification



Standards Maker of Kitchen
Hardware Industry

THE LAYOUT OF UNIHOPPER ALL OVER THE WORLD



COMPANY VISION

CORPORATE MISSION:

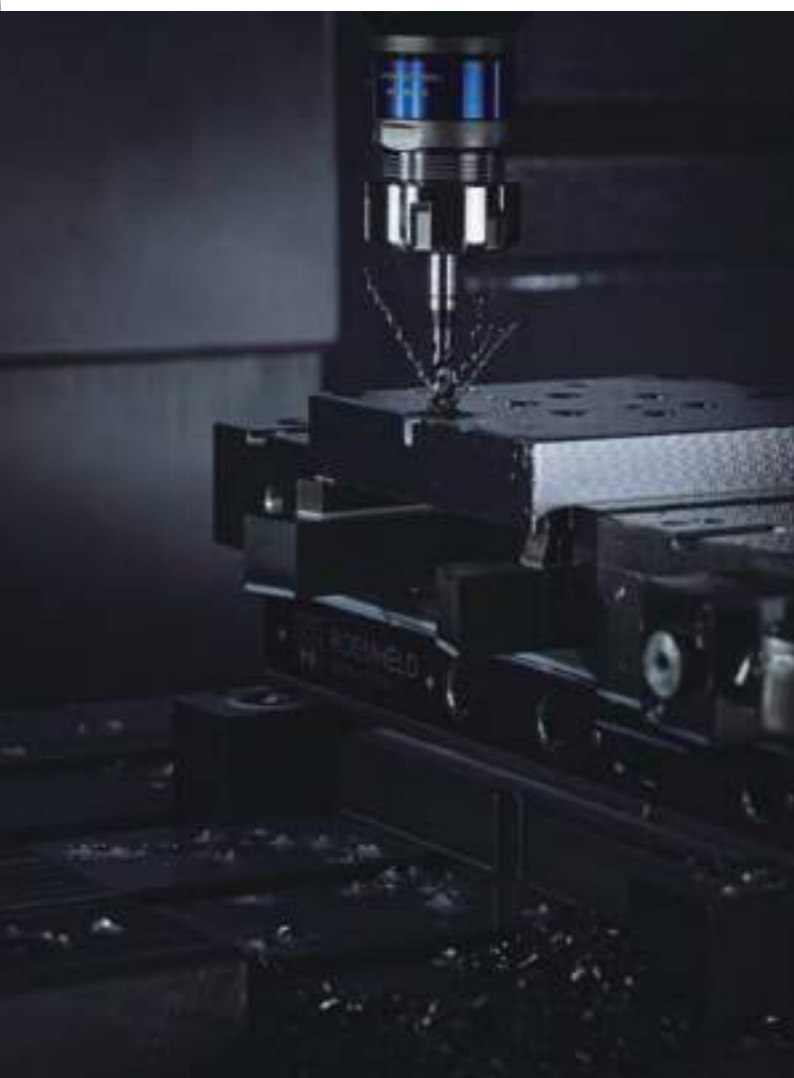
To meet people's yearning for a better life is the mission pursuit of Unihopper

VALUES:

Integrity, altruism, struggle, innovation, understanding, common progress



CRAFTSMANSHIP



INDEX

P. 013-102

DRAWER BOX

P. 015

LED GLASS MAGIC BOX

P. 029

GLASS MAGIC BOX

P. 039

MAGIC BOX

P. 053

REGIC BOX

P. 067

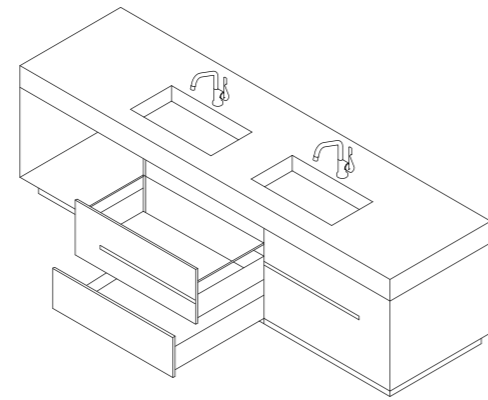
COBOX

P. 081

POBOX

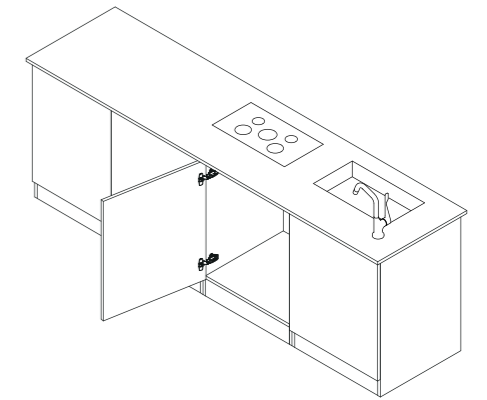
P. 095

HUGGEN



P. 163-190

GAS HINGE



P. 103-130

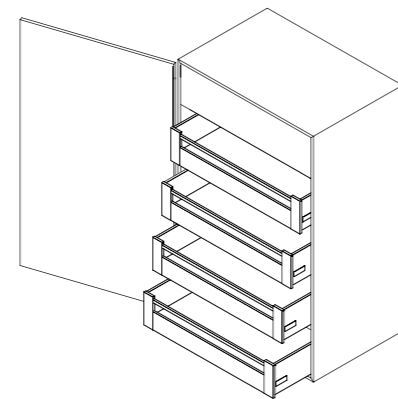
INNER DRAWER BOX

P. 105

INNER MAGIC BOX

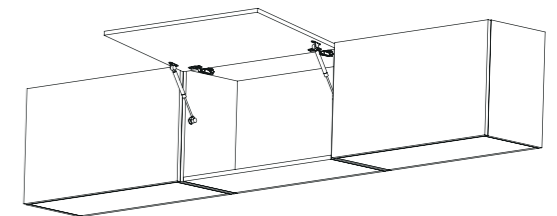
P. 119

INNER DRAWER BOX



P. 191-192

CABINET SUPPORT



P. 131-162

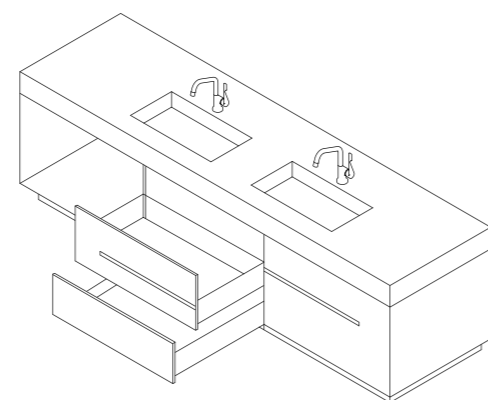
CONCEALED SLIDE

P. 131

CONCEALED SLIDE

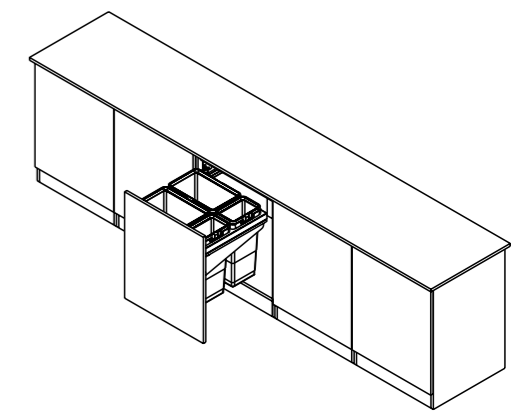
P. 157

BALL BEARING SLIDE



P. 193-202

KITCHEN STORAGE ORGANIZER



DRAWER BOX SYSTEM



LED GLASS MAGIC BOX -pursuit of perfection of exquisite details and precise drawer and cabinet system.

LED GLASS MAGIC BOX





A great combination of functional and fashion drawer.



LED GLASS MAGIC BOX

A ingenious design of 53mm soft closing journey makes the movement perfectly.



LED GLASS MAGIC BOX

FEATURES

- Fashionable appearance,slow motion,easy assembling
- Optional for Huggen PTO system
- Drawer height 80MM
- Synchronized concealed slide Loading capacity 35KG
- Epoxy coated
- Light colour:10000K
- 3D regulations,up and down,left and right,front and back
- Mat:aluminum+glass



LED GLASS MAGIC BOX H80



H80mm LED Glass magic box item code				
Nominal length	Item code			The complete set basic components includes
	Soft closing	Rebound	Huggen	
270mm	DBF1.270A1.(*)	DBRF1.270A1.(*)	DBPF1.270A1.(*)	1.Soft closing concealed slide(left/right) with huggen PTO system*
300mm	DBF1.300A1.(*)	DBRF1.300A1.(*)	DBPF1.300A1.(*)	2.LED Glass drawer side Left/Right
350mm	DBF1.350A1.(*)	DBRF1.350A1.(*)	DBPF1.350A1.(*)	3.Front fixing brackets 1*2pcs
400mm	DBF1.400A1.(*)	DBRF1.400A1.(*)	DBPF1.400A1.(*)	4.Clip-on fixing Left/Right
450mm	DBF1.450A1.(*)	DBRF1.450A1.(*)	DBPF1.450A1.(*)	5.Spacer for clip Left/Right
500mm	DBF1.500A1.(*)	DBRF1.500A1.(*)	DBPF1.500A1.(*)	
550mm	DBF1.550A1.(*)	DBRF1.550A1.(*)	DBPF1.550A1.(*)	

Remarks:(*):Color: Matt white (MW) / Dark grey(DG) Patent No.ZL 2017 2 0750286.4

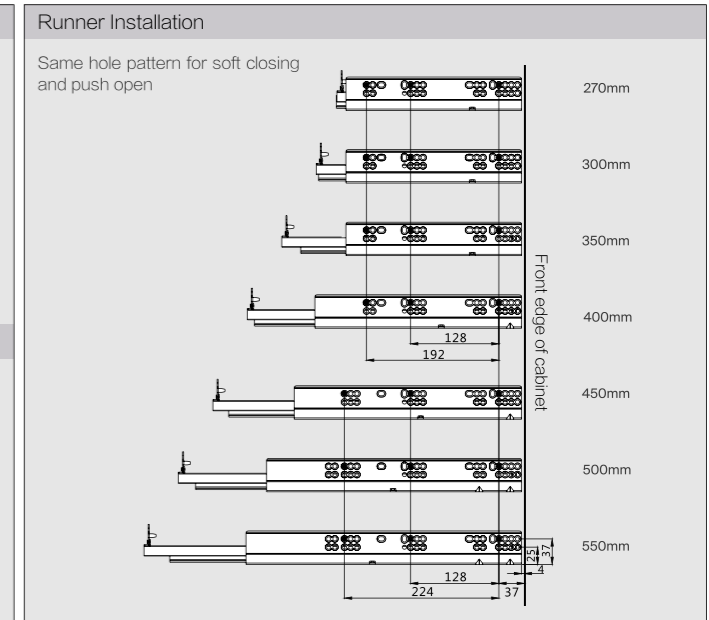
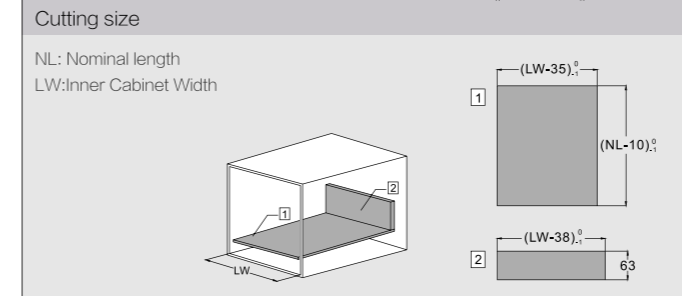
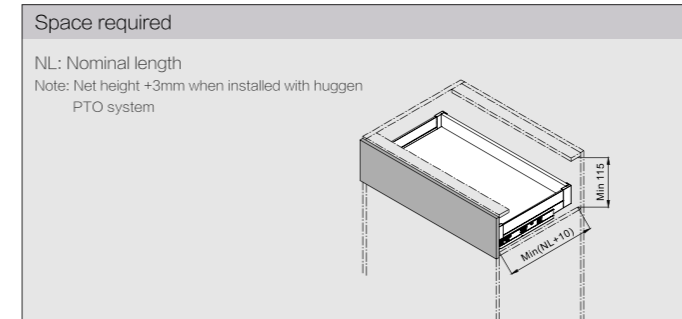
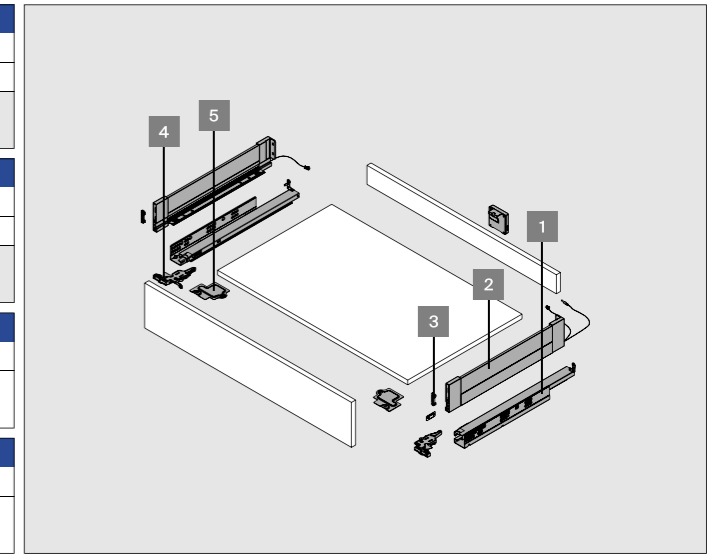
1 Concealed slide Left / Right			
Description	Concealed slide-Soft closing	Concealed slide - Rebound	Concealed slide - HUGGEN
	DBE.(*)SL.ZP	DBRE.(*)SL.ZP	DBPE.(*)SL.ZP
	Remarks:(*):Nominal length:270/300/350/400/450/500/550		

2 LED Glass drawer side Left/Right	
Description	LED Glass drawer side Left/Right
	DBF.(*) AW1.(*)
	Remarks:(*):Nominal length:270/300/350/400/450/500/550 (*)Color: Matt white (MW) / Dark grey(DG)

3 Front fixing brackets	
Description	Front fixing brackets
	DA1102F1.80.(*)
	Remarks:(*):Color: Matt white (MW) / Dark grey(DG)

4 Clip-on fixing Left/Right	
Description	Clip-on fixing Left/Right
	CL12E.P3

5 Spacer for clip Left/Right	
Description	Spacer for clip Left/Right
	DA1101F.ZP



*For more detail of huggen PTO system, see page 095-098.

LED GLASS MAGIC BOX

FEATURES

- Fashionable appearance,slow motion,easy assembling
- Optional for Huggen PTO system
- Drawer height 120MM
- Synchronized concealed slide Loading capacity 35KG
- Epoxy coated
- Light colour:10000K
- 3D regulations,up and down,left and right,front and back
- Mat:aluminum+glass



LED GLASS MAGIC BOX H120



H120mm LED Glass magic box item code

Nominal length	Item code			The complete set basic components includes
	Soft closing	Rebound	Huggen	
270mm	DBF1.270B1.(*)	DBRF1.270B1.(*)	DBPF1.270B1.(*)	1.Soft closing concealed slide(left/right) with huggen PTO system*
300mm	DBF1.300B1.(*)	DBRF1.300B1.(*)	DBPF1.300B1.(*)	2.LED Glass drawer side Left/Right
350mm	DBF1.350B1.(*)	DBRF1.350B1.(*)	DBPF1.350B1.(*)	3.Front fixing brackets 1*2pcs
400mm	DBF1.400B1.(*)	DBRF1.400B1.(*)	DBPF1.400B1.(*)	4.Clip-on fixing Left/Right
450mm	DBF1.450B1.(*)	DBRF1.450B1.(*)	DBPF1.450B1.(*)	5.Spacer for clip Left/Right
500mm	DBF1.500B1.(*)	DBRF1.500B1.(*)	DBPF1.500B1.(*)	
550mm	DBF1.550B1.(*)	DBRF1.550B1.(*)	DBPF1.550B1.(*)	

Remarks:(*):Color: Matt white (MW) / Dark grey(DG) Patent No.ZL 2017 2 0750286.4

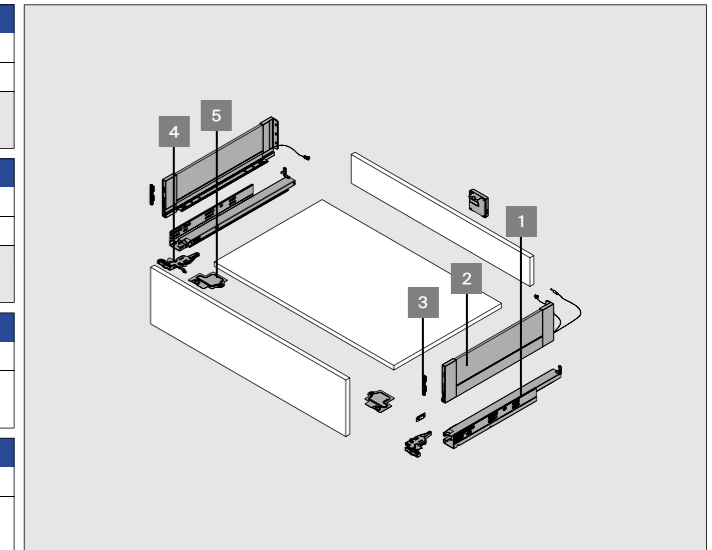
1 Concealed slide Left/Right			
Description	Concealed slide-Soft closing	Concealed slide - Rebound	Concealed slide - HUGGEN
	DBE.(*)SL.ZP	DBRE.(*)SL.ZP	DBPE.(*)SL.ZP
	Remarks:(*):Nominal length:270/300/350/400/450/500/550		

2 LED Glass drawer side Left/Right	
Description	LED Glass drawer side Left/Right
	DBF.(*) BW1.(*)
	Remarks:(*):Nominal length:270/300/350/400/450/500/550 (*)Color: Matt white (MW) / Dark grey(DG)

3 Front fixing brackets	
Description	Front fixing brackets
	DA1102F1.120.(*)
	Remarks:(*):Color: Matt white (MW) / Dark grey(DG)

4 Clip-on fixing Left/Right	
Description	Clip-on fixing Left/Right
	CL12E.P3

5 Spacer for clip Left/Right	
Description	Spacer for clip Left/Right
	DA1101F.ZP



Space required	
NL: Nominal length	
Note: Net height +3mm when installed with huggen PTO system	

Cutting size	
NL: Nominal length	
LW:Inner Cabinet Width	

Runner Installation		
Same hole pattern for soft closing and push open		
		270mm
		300mm
		350mm
		400mm
		450mm
	500mm	
	550mm	

*For more detail of huggen PTO system, see page 095-098.

LED GLASS MAGIC BOX

FEATURES

- Fashionable appearance,slow motion,easy assembling
- Optional for Huggen PTO system
- Drawer height 170MM
- Synchronized concealed slide Loading capacity 35KG
- Epoxy coated
- Light colour:10000K
- 3D regulations,up and down,left and right,front and back
- Mat:aluminum+glass



LED GLASS MAGIC BOX H170



H170mm LED Glass magic box item code

Nominal length	Item code			The complete set basic components includes
	Soft closing	Rebound	Huggen	
270mm	DBF1.270C1.(*)	DBRF1.270C1.(*)	DBPF1.270C1.(*)	1.Soft closing concealed slide(left/right) with huggen PTO system*
300mm	DBF1.300C1.(*)	DBRF1.300C1.(*)	DBPF1.300C1.(*)	2.LED Glass drawer side Left/Right
350mm	DBF1.350C1.(*)	DBRF1.350C1.(*)	DBPF1.350C1.(*)	3.Front fixing brackets 1*2pcs
400mm	DBF1.400C1.(*)	DBRF1.400C1.(*)	DBPF1.400C1.(*)	4.Clip-on fixing Left/Right
450mm	DBF1.450C1.(*)	DBRF1.450C1.(*)	DBPF1.450C1.(*)	5.Spacer for clip Left/Right
500mm	DBF1.500C1.(*)	DBRF1.500C1.(*)	DBPF1.500C1.(*)	
550mm	DBF1.550C1.(*)	DBRF1.550C1.(*)	DBPF1.550C1.(*)	

Remarks:(*):Color: Matt white (MW) / Dark grey(DG) Patent No.ZL 2017 2 0750286.4

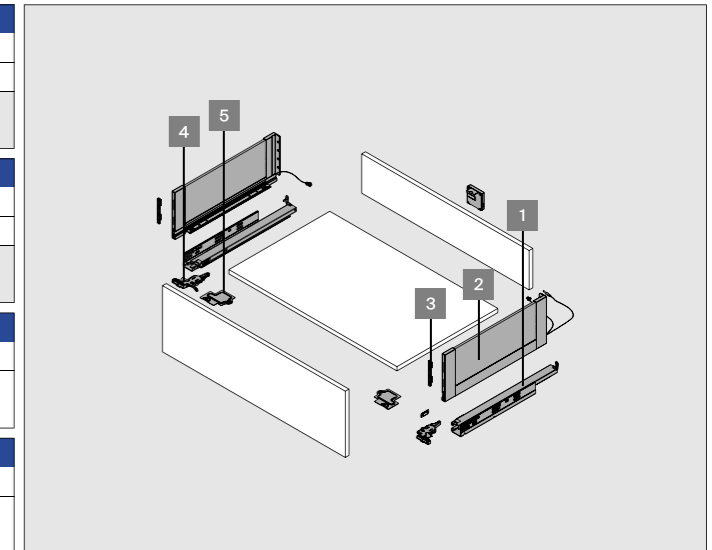
1 Concealed slide Left / Right			
Description	Concealed slide-Soft closing	Concealed slide - Rebound	Concealed slide - HUGGEN
	DBE.(*)SL.ZP	DBRE.(*)SL.ZP	DBPE.(*)SL.ZP
	Remarks:(*):Nominal length:270/300/350/400/450/500/550		

2 LED Glass drawer side Left/Right	
Description	LED Glass drawer side Left/Right
	DBF.(*)CW1.(*)
	Remarks:(*):Nominal length:270/300/350/400/450/500/550 (*)Color: Matt white (MW) / Dark grey(DG)

3 Front fixing brackets	
Description	Front fixing brackets
	DA1102F1.170.(*)
	Remarks:(*):Color: Matt white (MW) / Dark grey(DG)

4 Clip-on fixing Left/Right	
Description	Clip-on fixing Left/Right
	CL12E.P3

5 Spacer for clip Left/Right	
Description	Spacer for clip Left/Right
	DA1101F.ZP



Space required	
NL: Nominal length	
Note: Net height +3mm when installed with huggen PTO system	

Cutting size	
NL: Nominal length	
LW: Inner Cabinet Width	

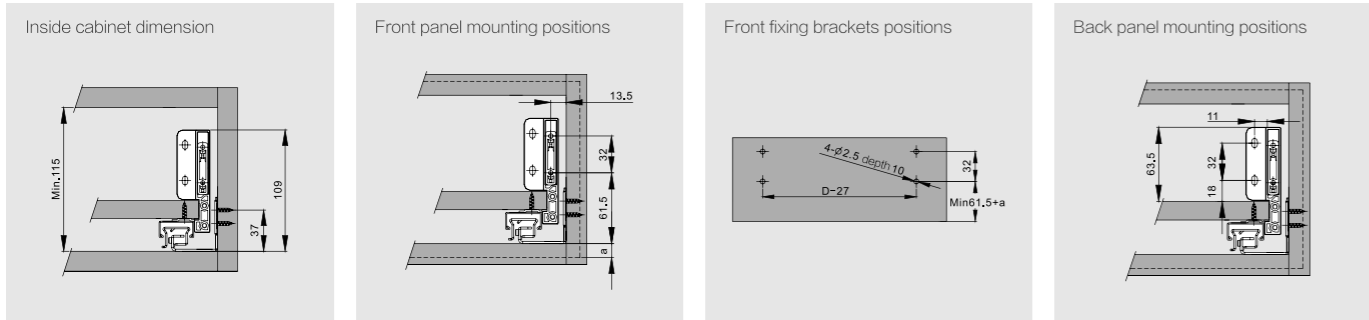
Runner Installation	
Same hole pattern for soft closing and push open	

*For more detail of huggen PTO system, see page 095-098.

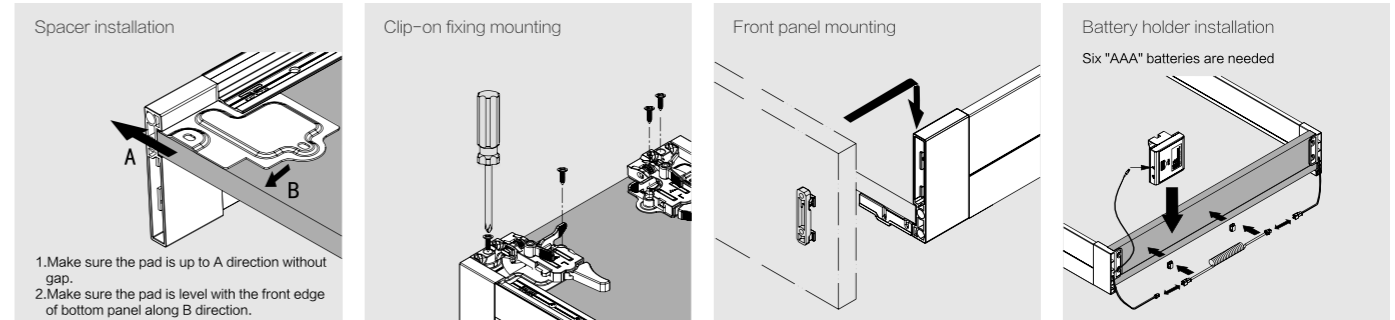
INSTALLATION INSTRUCTION

LED GLASS MAGIC BOX

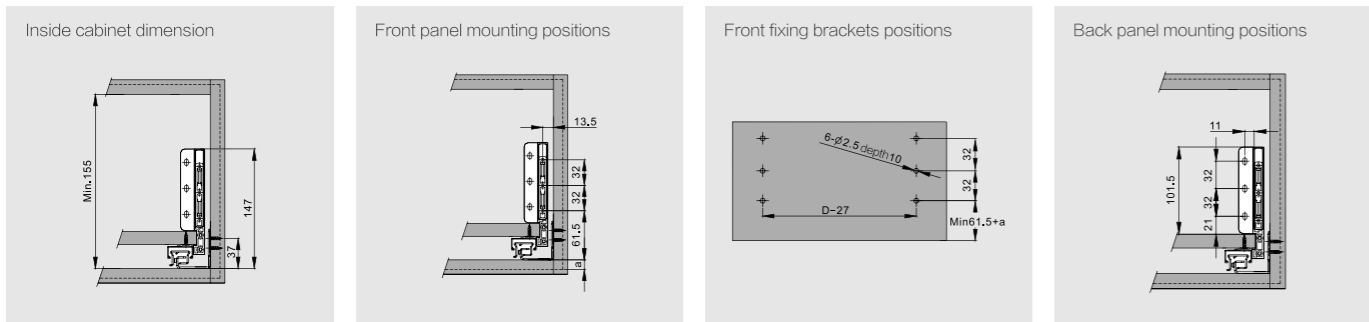
H=80mm installation instruction



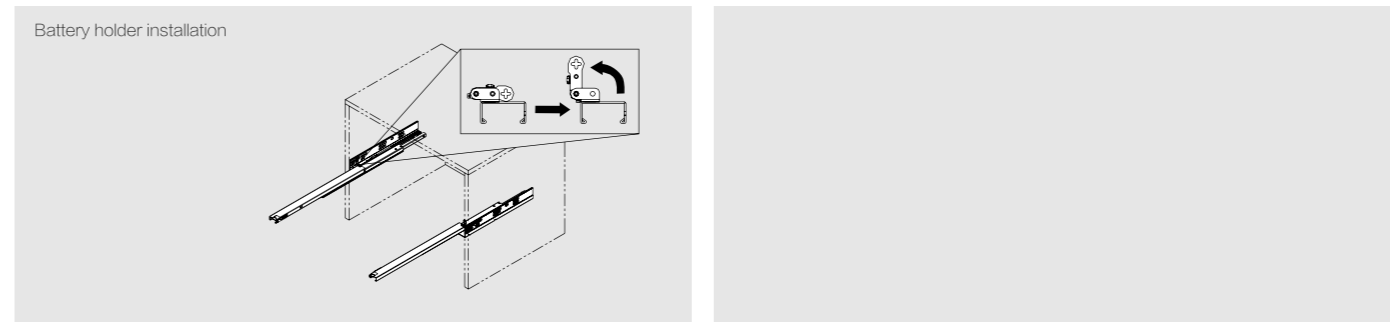
Installation instruction



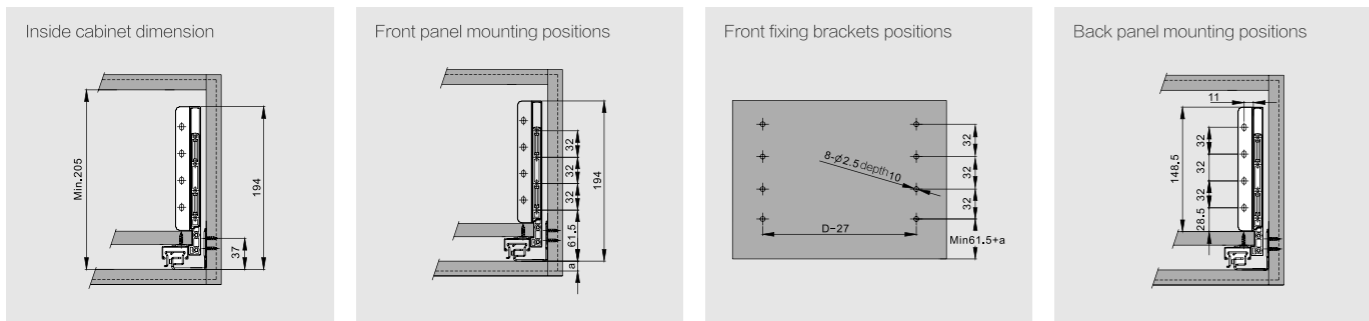
H=120mm installation instruction



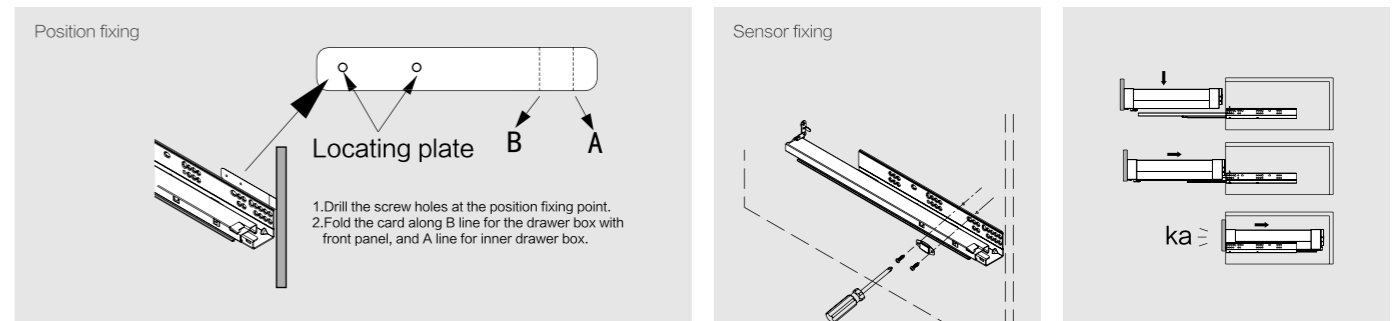
Installation instruction



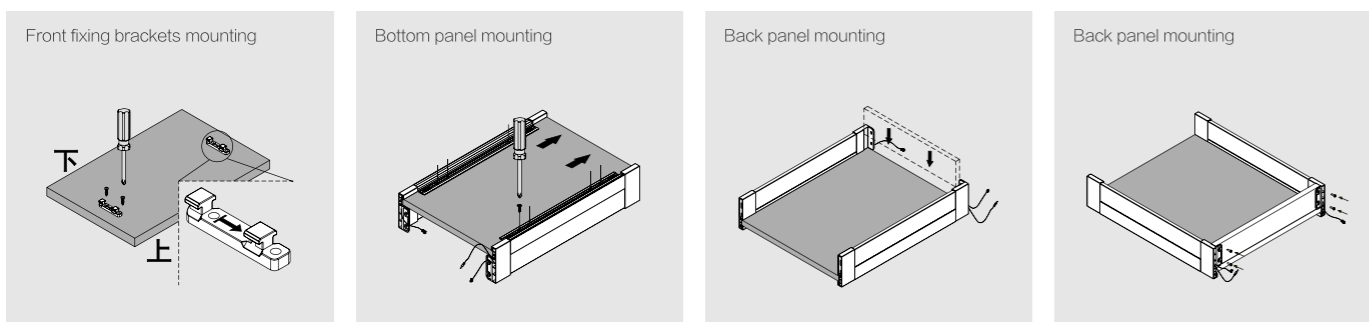
H=170mm installation instruction



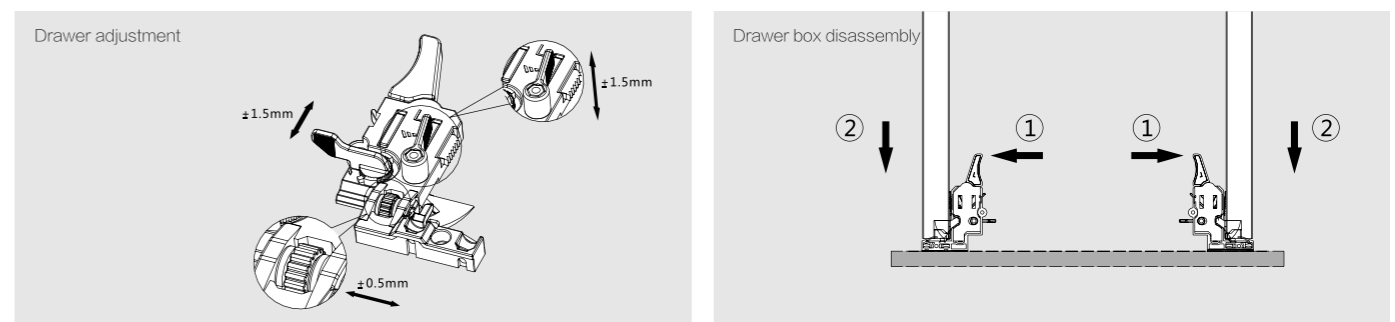
Installation instruction



Installation instruction



Installation instruction





A ingenious design of 53mm soft closing journey makes the movement perfectly.

GLASS MAGIC BOX

GLASS MAGIC BOX

FEATURES

- Fashionable appearance,slow motion,easy assembling
- Optional for Huggen PTO system
- Drawer height 80MM
- Synchronized concealed slide Loading capacity 35KG
- Epoxy coated
- 3D regulations,up and down,left and right,front and back
- Mataluminum+glass



GLASS MAGIC BOX H80



H80mm Glass magic box item code

Nominal length	Item code			The complete set basic components includes
	Soft closing	Rebound	Huggen	
270mm	DBF1.270A2.(*)	DBRF1.270A2.(*)	DBPF1.270A2.(*)	1.Soft closing concealed slide(left/right) with huggen PTO system*
300mm	DBF1.300A2.(*)	DBRF1.300A2.(*)	DBPF1.300A2.(*)	2.Glass drawer side Left/Right
350mm	DBF1.350A2.(*)	DBRF1.350A2.(*)	DBPF1.350A2.(*)	3.Front fixing brackets 1*2pcs
400mm	DBF1.400A2.(*)	DBRF1.400A2.(*)	DBPF1.400A2.(*)	4.Clip-on fixing Left/Right
450mm	DBF1.450A2.(*)	DBRF1.450A2.(*)	DBPF1.450A2.(*)	5.Spacer for clip Left/Right
500mm	DBF1.500A2.(*)	DBRF1.500A2.(*)	DBPF1.500A2.(*)	
550mm	DBF1.550A2.(*)	DBRF1.550A2.(*)	DBPF1.550A2.(*)	

Remarks:(*):Color: Matt white (MW) / Dark grey(DG) Patent No.ZL 2017 2 0750286.4

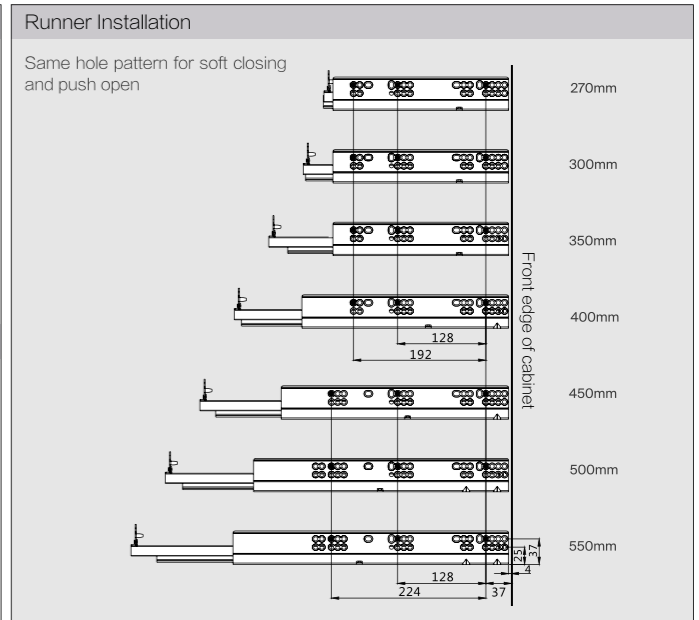
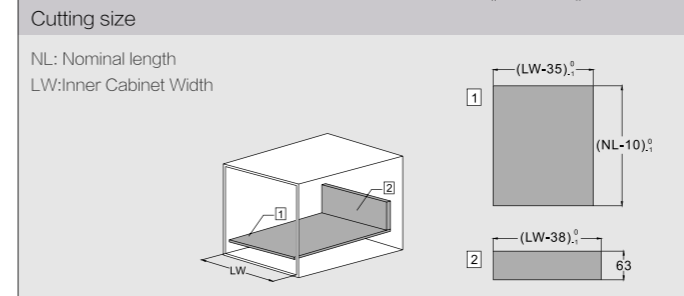
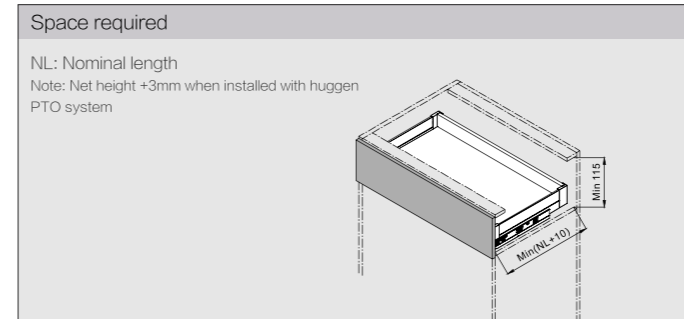
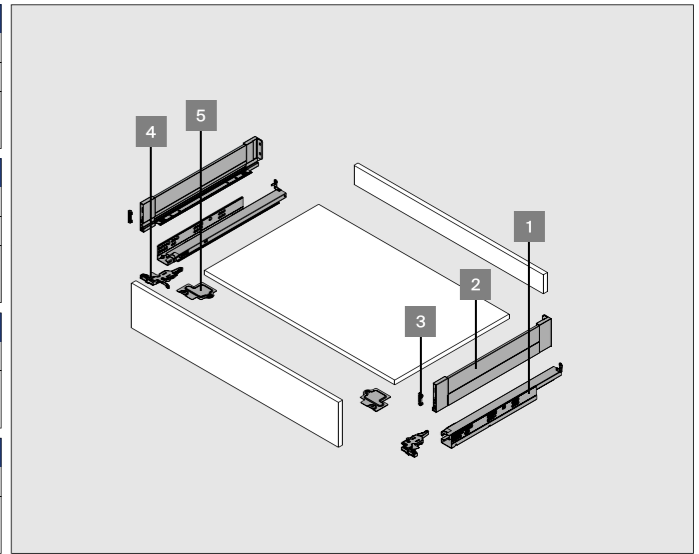
1 Concealed slide Left / Right			
Description	Concealed slide-Soft closing	Concealed slide - Rebound	Concealed slide - HUGGEN
	DBE.(*)SL.ZP	DBRE.(*)SL.ZP	DBPE.(*)SL.ZP
	Remarks:(*):Nominal length:270/300/350/400/450/500/550		

2 Glass drawer side Left / Right	
Description	Glass drawer side Left/Right
	DBF.(*) AW2.(*)
	Remarks:(*):Nominal length:270/300/350/400/450/500/550 (*)Color: Matt white (MW) / Dark grey(DG)

3 Front fixing brackets	
Description	Front fixing brackets
	DA1102F1.80.(*)
	Remarks:(*):Color: Matt white (MW) / Dark grey(DG)

4 Clip-on fixing Left/Right	
Description	Clip-on fixing Left/Right
	CL12E.P3

5 Spacer for clip Left/Right	
Description	Spacer for clip Left/Right
	DA1101F.ZP



*For more detail of huggen PTO system, see page 095-098.

GLASS MAGIC BOX

FEATURES

- Fashionable appearance,slow motion,easy assembling
- Optional for Huggen PTO system
- Drawer height 120MM
- Synchronized concealed slide Loading capacity 35KG
- Epoxy coated
- 3D regulations,up and down,left and right,front and back
- Mataluminum+glass



GLASS MAGIC BOX H120



H120mm Glass magic box item code

Nominal length	Item code			The complete set basic components includes
	Soft closing	Rebound	Huggen	
270mm	DBF1.270B2.(*)	DBRF1.270B2.(*)	DBPF1.270B2.(*)	1.Soft closing concealed slide(left/right) with huggen PTO system*
300mm	DBF1.300B2.(*)	DBRF1.300B2.(*)	DBPF1.300B2.(*)	2.Glass drawer side Left/Right
350mm	DBF1.350B2.(*)	DBRF1.350B2.(*)	DBPF1.350B2.(*)	3.Front fixing brackets 1*2pcs
400mm	DBF1.400B2.(*)	DBRF1.400B2.(*)	DBPF1.400B2.(*)	4.Clip-on fixing Left/Right
450mm	DBF1.450B2.(*)	DBRF1.450B2.(*)	DBPF1.450B2.(*)	5.Spacer for clip Left/Right
500mm	DBF1.500B2.(*)	DBRF1.500B2.(*)	DBPF1.500B2.(*)	
550mm	DBF1.550B2.(*)	DBRF1.550B2.(*)	DBPF1.550B2.(*)	

Remarks:(*):Color: Matt white (MW) / Dark grey(DG) Patent No.ZL 2017 2 0750286.4

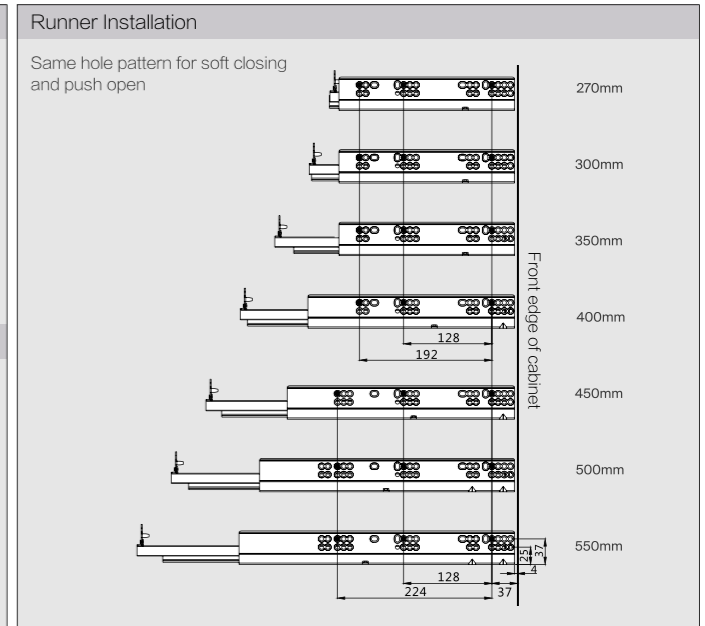
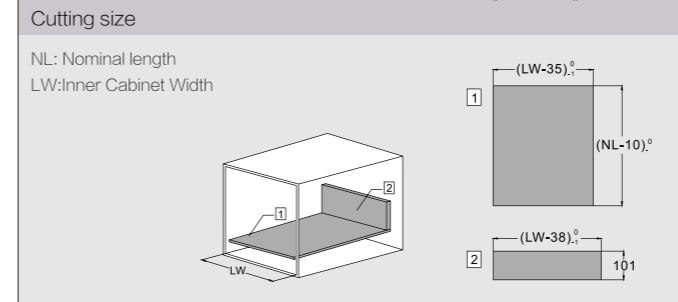
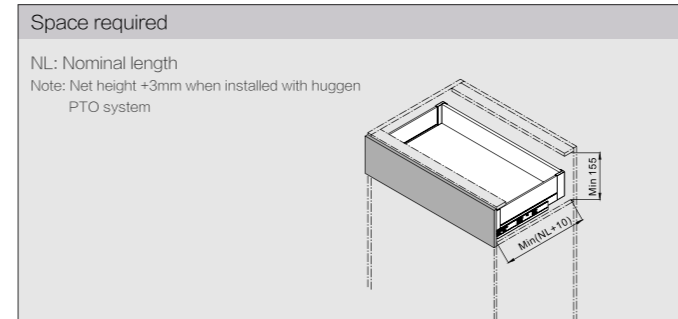
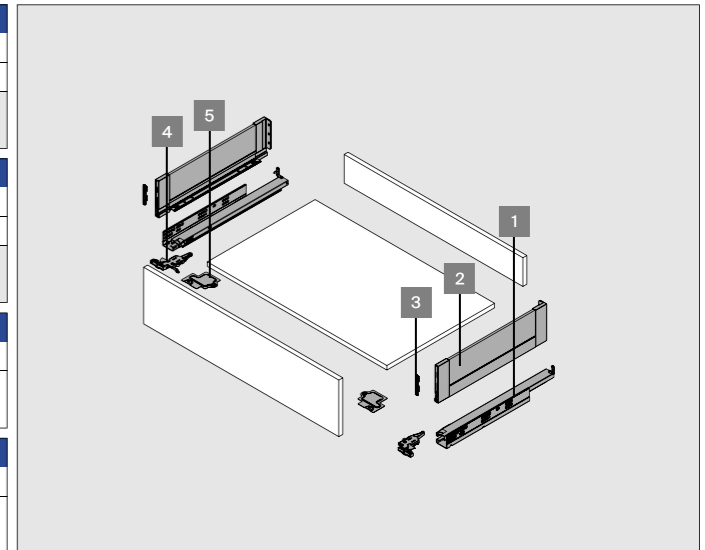
1 Concealed slide Left/Right			
Description	Concealed slide-Soft closing	Concealed slide - Rebound	Concealed slide - HUGGEN
	DBE.(*)SL.ZP	DBRE.(*)SL.ZP	DBPE.(*)SL.ZP
	Remarks:(*):Nominal length:270/300/350/400/450/500/550		

2 Glass drawer side Left/Right	
Description	Glass drawer side Left/Right
	DBF.(*) BW2.(*)
	Remarks:(*):Nominal length:270/300/350/400/450/500/550 (*)Color: Matt white (MW) / Dark grey(DG)

3 Front fixing brackets	
Description	Front fixing brackets
	DA1102F1.120.(*)
	Remarks:(*):Color: Matt white (MW) / Dark grey(DG)

4 Clip-on fixing Left/Right	
Description	Clip-on fixing Left/Right
	CL12E.P3

5 Spacer for clip Left/Right	
Description	Spacer for clip Left/Right
	DA1101F.ZP



*For more detail of huggen PTO system, see page 095-098.

GLASS MAGIC BOX

FEATURES

- Fashionable appearance,slow motion,easy assembling
- Optional for Huggen PTO system
- Drawer height 170MM
- Synchronized concealed slide Loading capacity 35KG
- Epoxy coated
- 3D regulations,up and down,left and right,front and back
- Mataluminum+glass



GLASS MAGIC BOX H170



H170mm Glass magic box item code

Nominal length	Item code			The complete set basic components includes
	Soft closing	Rebound	Huggen	
270mm	DBF1.270C2.(*)	DBRF1.270C2.(*)	DBPF1.270C2.(*)	1.Soft closing concealed slide(left/right) with huggen PTO system*
300mm	DBF1.300C2.(*)	DBRF1.300C2.(*)	DBPF1.300C2.(*)	2.Glass drawer side Left/Right
350mm	DBF1.350C2.(*)	DBRF1.350C2.(*)	DBPF1.350C2.(*)	3.Front fixing brackets 1*2pcs
400mm	DBF1.400C2.(*)	DBRF1.400C2.(*)	DBPF1.400C2.(*)	4.Clip-on fixing Left/Right
450mm	DBF1.450C2.(*)	DBRF1.450C2.(*)	DBPF1.450C2.(*)	5.Spacer for clip Left/Right
500mm	DBF1.500C2.(*)	DBRF1.500C2.(*)	DBPF1.500C2.(*)	
550mm	DBF1.550C2.(*)	DBRF1.550C2.(*)	DBPF1.550C2.(*)	

Remarks:(*):Color: Matt white (MW) / Dark grey(DG) Patent No.ZL 2017 2 0750286.4

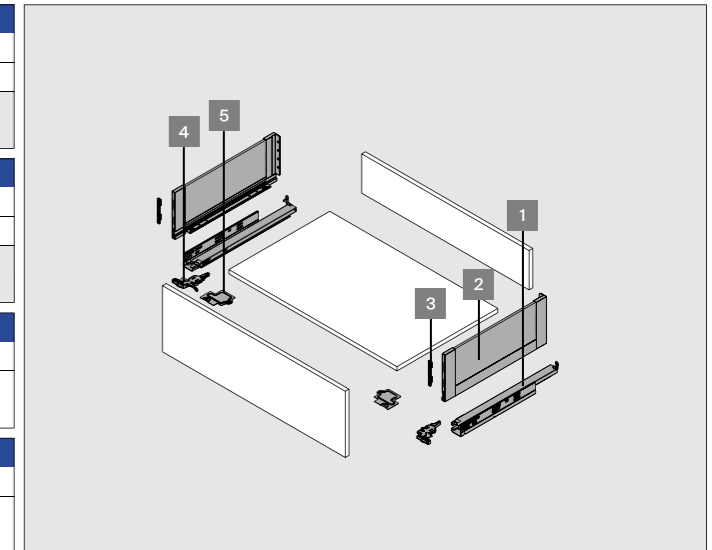
1 Concealed slide Left/Right			
Description	Concealed slide-Soft closing	Concealed slide - Rebound	Concealed slide - HUGGEN
	DBE.(*)SL.ZP	DBRE.(*)SL.ZP	DBPE.(*)SL.ZP
	Remarks:(*):Nominal length:270/300/350/400/450/500/550		

2 Glass drawer side Left/Right	
Description	Glass drawer side Left/Right
	DBF.(*)CW2.(*)
	Remarks:(*):Nominal length:270/300/350/400/450/500/550 (*)Color: Matt white (MW) / Dark grey(DG)

3 Front fixing brackets	
Description	Front fixing brackets
	DA1102F1.170.(*)
	Remarks:(*):Color: Matt white (MW) / Dark grey(DG)

4 Clip-on fixing Left/Right	
Description	Clip-on fixing Left/Right
	CL12E.P3

5 Spacer for clip Left/Right	
Description	Spacer for clip Left/Right
	DA1101F.ZP



Space required

NL: Nominal length
Note: Net height +3mm when installed with huggen PTO system

Cutting size

NL: Nominal length
LW:Inner Cabinet Width

Runner Installation

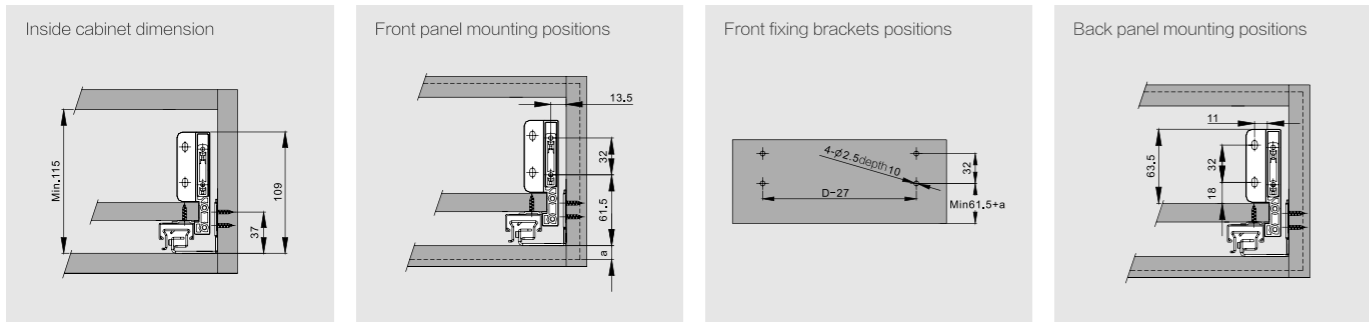
Same hole pattern for soft closing and push open

*For more detail of huggen PTO system, see page 095-098.

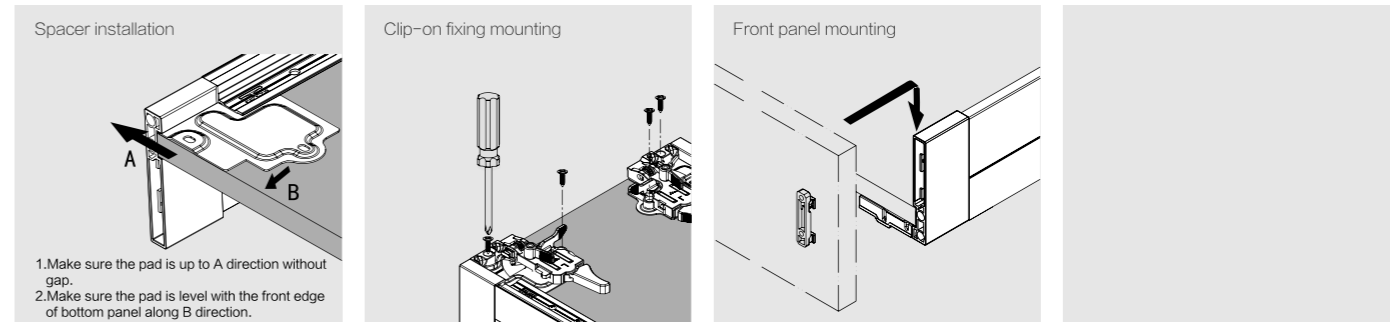
INSTALLATION INSTRUCTION

GLASS MAGIC BOX

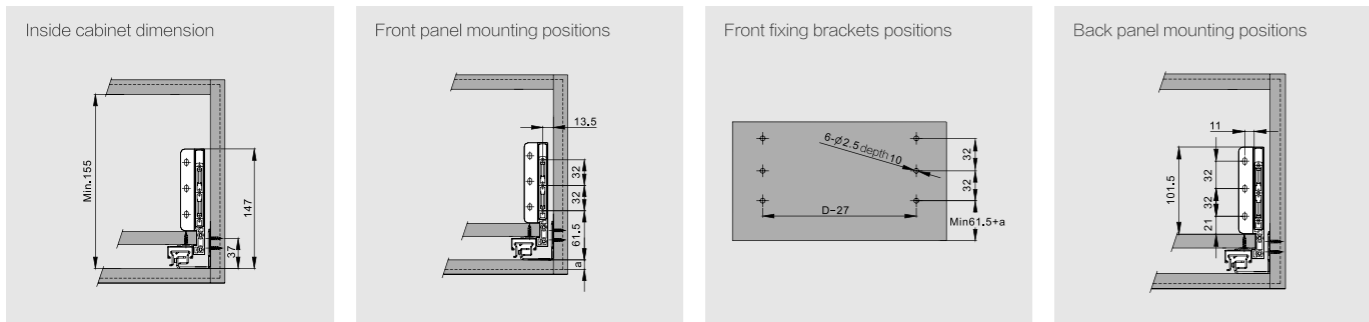
H=80mm installation instruction



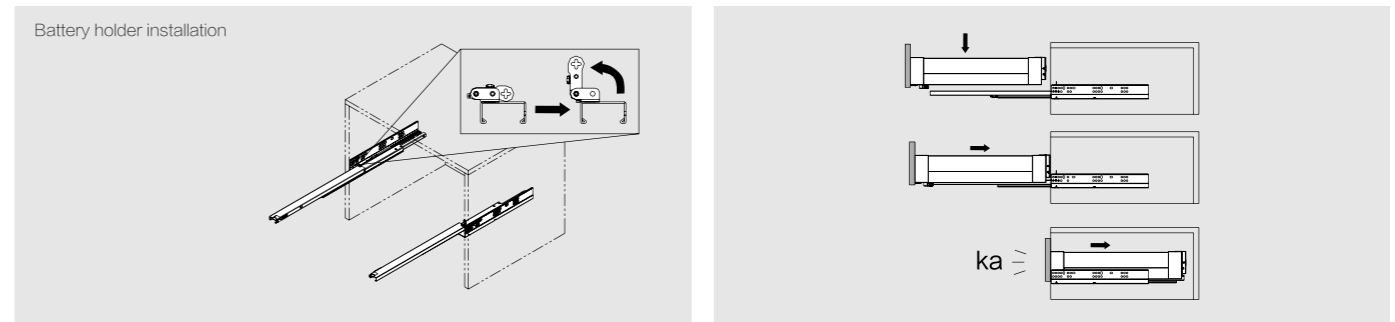
Installation instruction



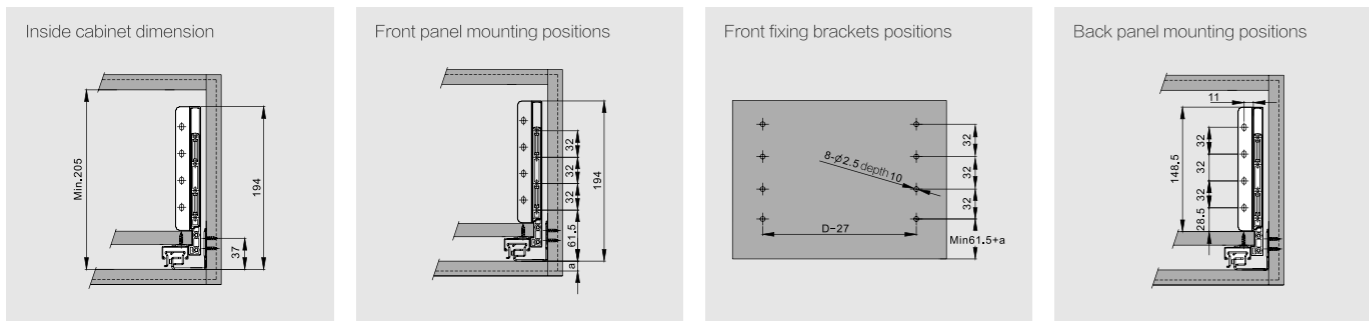
H=120mm installation instruction



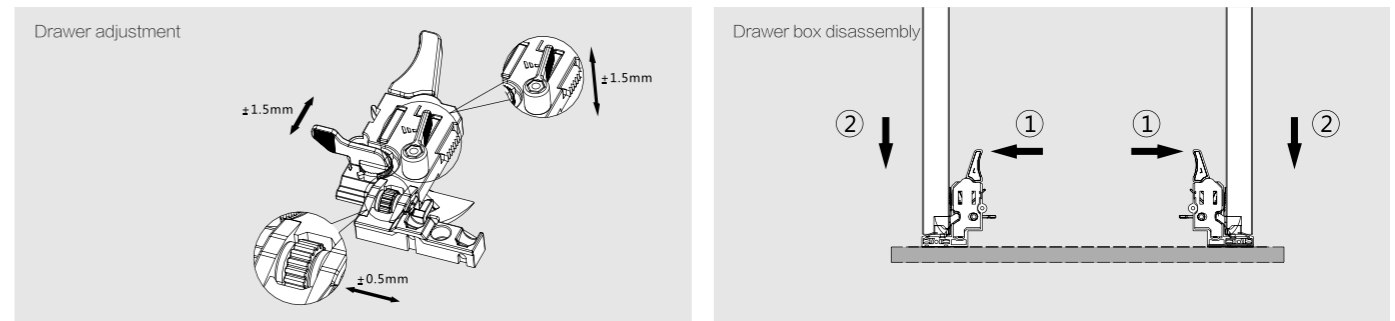
Installation instruction



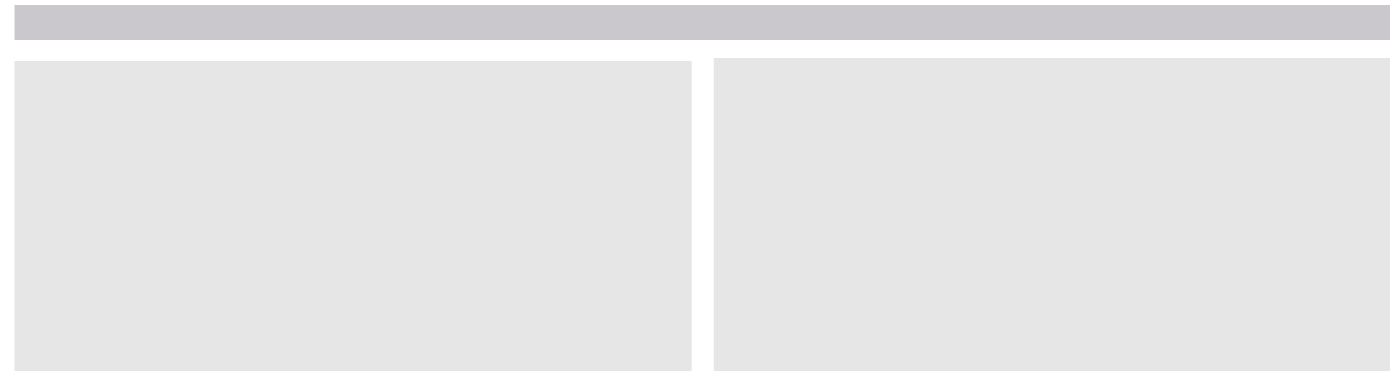
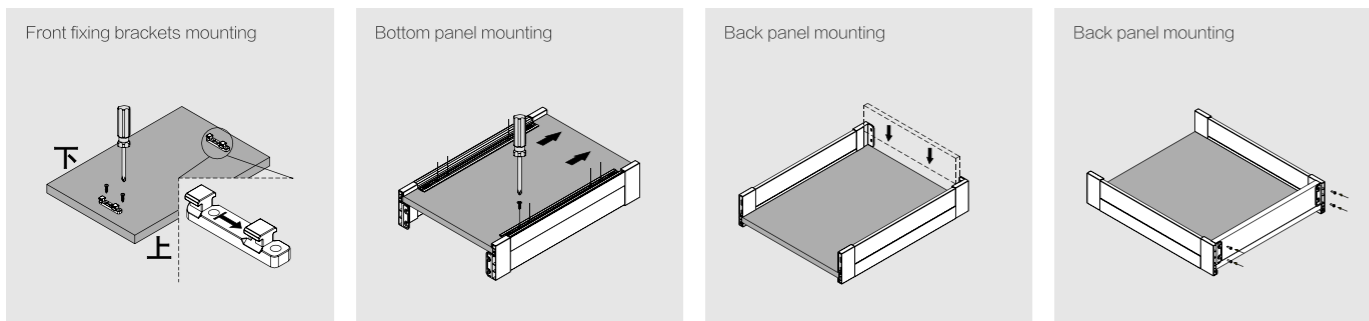
H=170mm installation instruction



Installation instruction



Installation instruction



MAGIC BOX -Balance of functional and beauty

MAGIC BOX



MAGIC BOX

FEATURES

- Fashionable appearance,slow motion,easy assembling
- Optional for Huggen PTO system
- Drawer height 80MM
- Synchronized concealed slide Loading capacity 35KG
- Epoxy coated
- 3D regulations,up and down,left and right,front and back
- Mat.steel

MAGIC BOX H80



H80mm Magic box item code

Nominal length	Front fixing bracket						The complete set basic components includes
	Dowel-Soft closing	Screw-Soft closing	Dowel-Rebound	Screw-Rebound	Dowel-Huggen	Screw-Huggen	
270mm	DBE2.270A.(^)	DBE1.270A.(^)	DBRE2.270A.(^)	DBRE1.270A.(^)	DBPE2.270A.(^)	DBPE1.270A.(^)	1.Soft closing concealed slide(left/right) with huggen PTO system* 2.Drawer side Left/Right 3.Plastic covers 1*2pcs 4.Front fixing brackets 1*2pcs 5.Clip-on fixing Left/Right 6.Back panel adapters 1*2pcs
300mm	DBE2.300A.(^)	DBE1.300A.(^)	DBRE2.300A.(^)	DBRE1.300A.(^)	DBPE2.300A.(^)	DBPE1.300A.(^)	
350mm	DBE2.350A.(^)	DBE1.350A.(^)	DBRE2.350A.(^)	DBRE1.350A.(^)	DBPE2.350A.(^)	DBPE1.350A.(^)	
400mm	DBE2.400A.(^)	DBE1.400A.(^)	DBRE2.400A.(^)	DBRE1.400A.(^)	DBPE2.400A.(^)	DBPE1.400A.(^)	
450mm	DBE2.450A.(^)	DBE1.450A.(^)	DBRE2.450A.(^)	DBRE1.450A.(^)	DBPE2.450A.(^)	DBPE1.450A.(^)	
500mm	DBE2.500A.(^)	DBE1.500A.(^)	DBRE2.500A.(^)	DBRE1.500A.(^)	DBPE2.500A.(^)	DBPE1.500A.(^)	
550mm	DBE2.550A.(^)	DBE1.550A.(^)	DBRE2.550A.(^)	DBRE1.550A.(^)	DBPE2.550A.(^)	DBPE1.550A.(^)	

Remarks:(^):Color: Matt white (MW) / Dark grey(DG)

1 Concealed slide Left/Right			
Description	Concealed slide-Soft closing	Concealed slide - Rebound	Concealed slide - HUGGEN
	DBE.(^).SL.ZP	DBRE.(^).SL.ZP	DBPE.(^).SL.ZP
	Remarks:(^):Nominal length:270/300/350/400/450/500/550		

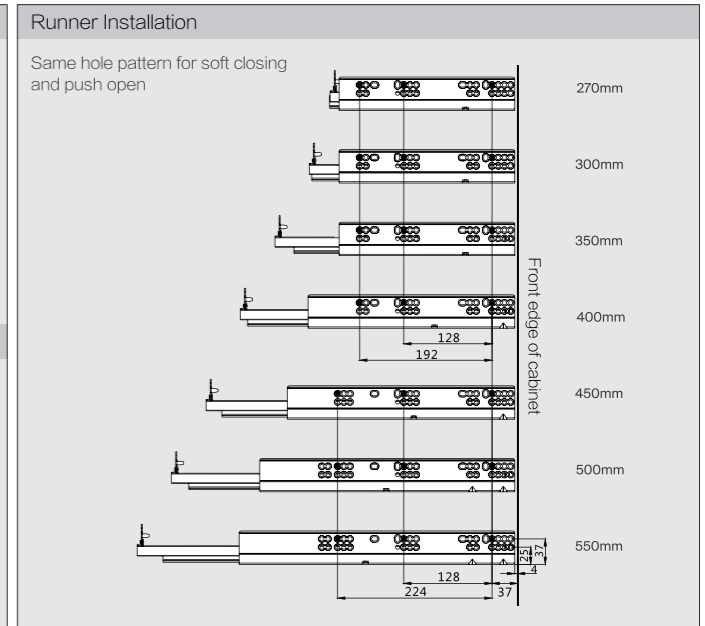
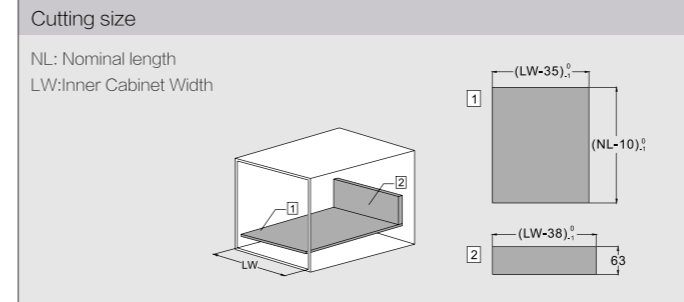
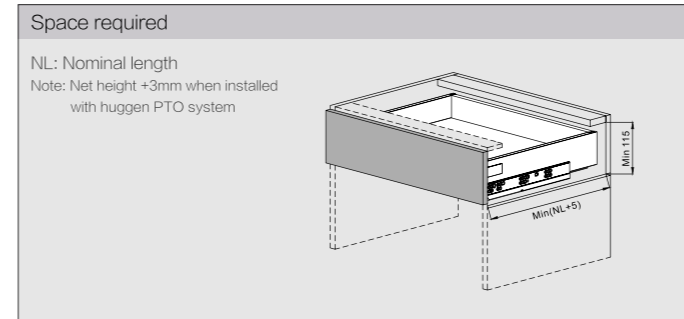
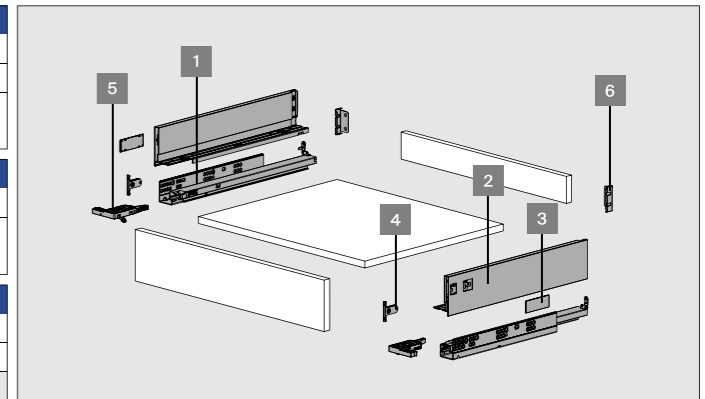
2 Drawer side Left/Right	
Description	Drawer side Left/Right
	DBE.(^).AW.(#)
	Remarks:(^):Nominal length:270/300/350/400/450/500/550 (#):Color: Matt white (MW) / Dark grey(DG)

3 Plastic covers	
Description	Plastic covers
	DA1101E1.(^)
	Remarks:(^):Color: Matt white (MW) / Dark grey(DG)

4 Front fixing brackets			
Description		Front fixing brackets	
Dowel	Screw	Dowel	Screw
		DA1102E2.ZP	DA1102E1.ZP

5 Clip-on fixing Left/Right	
Description	Clip-on fixing Left/Right
	DBE.SL1.GR

6 Back panel adapters	
Description	Back panel adapters
	DA1103E1.80.(^)
	Remarks:(^):Color: Matt white (MW) / Dark grey(DG)



*For more detail of huggen PTO system, see page 095-098.



MAGIC BOX

FEATURES

- Fashionable appearance,slow motion,easy assembling
- Optional for Huggen PTO system
- Drawer height 120MM
- Synchronized concealed slide Loading capacity 35KG
- Epoxy coated
- 3D regulations,up and down,left and right,front and back
- Mat.steel



MAGIC BOX H120



H120mm Magic box item code

Nominal length	Front fixing bracket						The complete set basic components includes
	Dowel-Soft closing	Screw-Soft closing	Dowel-Rebound	Screw-Rebound	Dowel-Huggen	Screw-Huggen	
270mm	DBE2.270B.(^)	DBE1.270B.(^)	DBRE2.270B.(^)	DBRE1.270B.(^)	DBPE2.270B.(^)	DBPE1.270B.(^)	1.Soft closing concealed slide(left/right) with huggen PTO system*
300mm	DBE2.300B.(^)	DBE1.300B.(^)	DBRE2.300B.(^)	DBRE1.300B.(^)	DBPE2.300B.(^)	DBPE1.300B.(^)	
350mm	DBE2.350B.(^)	DBE1.350B.(^)	DBRE2.350B.(^)	DBRE1.350B.(^)	DBPE2.350B.(^)	DBPE1.350B.(^)	2.Drawer side Left/Right
400mm	DBE2.400B.(^)	DBE1.400B.(^)	DBRE2.400B.(^)	DBRE1.400B.(^)	DBPE2.400B.(^)	DBPE1.400B.(^)	3.Plastic covers 1*2pcs
450mm	DBE2.450B.(^)	DBE1.450B.(^)	DBRE2.450B.(^)	DBRE1.450B.(^)	DBPE2.450B.(^)	DBPE1.450B.(^)	4.Front fixing brackets 1*2pcs
500mm	DBE2.500B.(^)	DBE1.500B.(^)	DBRE2.500B.(^)	DBRE1.500B.(^)	DBPE2.500B.(^)	DBPE1.500B.(^)	5.Clip-on fixing Left/Right
550mm	DBE2.550B.(^)	DBE1.550B.(^)	DBRE2.550B.(^)	DBRE1.550B.(^)	DBPE2.550B.(^)	DBPE1.550B.(^)	6.Back panel adapters 1*2pcs

Remarks:(^):Color: Matt white (MW) / Dark grey(DG)

1 Concealed slide Left/Right			
Description	Concealed slide-Soft closing	Concealed slide - Rebound	Concealed slide - HUGGEN
	DBE.(^).SL.ZP	DBRE.(^).SL.ZP	DBPE.(^).SL.ZP
	Remarks:(^):Nominal length:270/300/350/400/450/500/550		

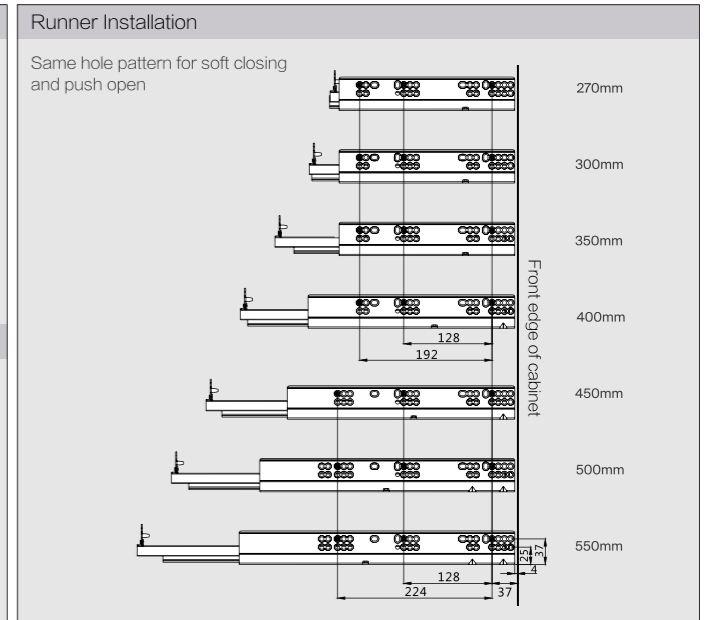
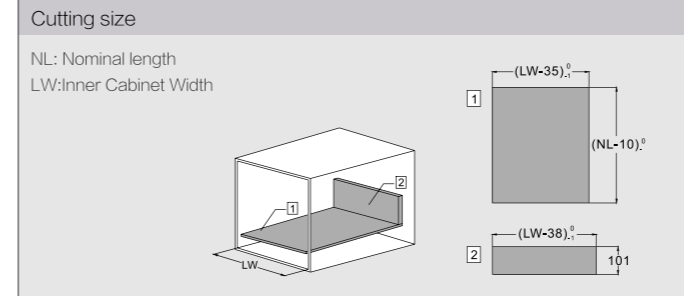
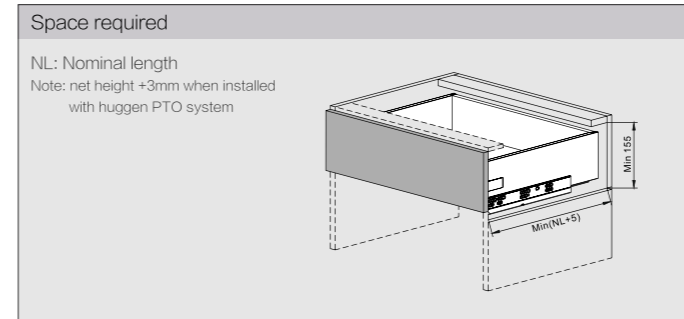
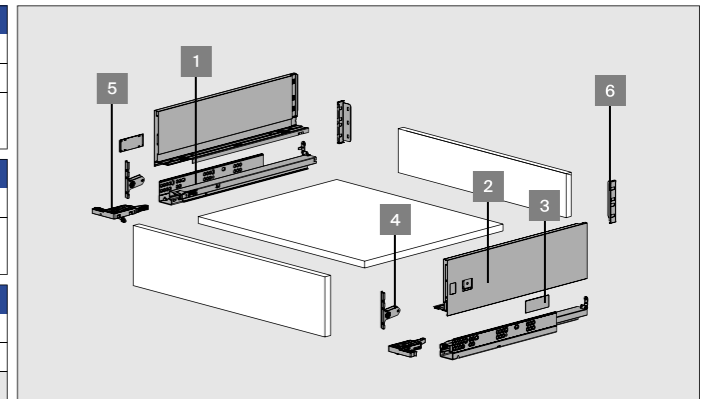
2 Drawer side Left/Right	
Description	Drawer side Left/Right
	DBE.(^).BW.(^)
	Remarks:(^):Nominal length:270/300/350/400/450/500/550 (^):Color: Matt white (MW) / Dark grey(DG)

3 Plastic covers	
Description	Plastic covers
	DA1101E1.(^)
	Remarks:(^):Color: Matt white (MW) / Dark grey(DG)

4 Front fixing brackets			
Description		Front fixing brackets	
Dowel	Screw	Dowel	Screw
		DA1102E6.ZP	DA1102E5.ZP

5 Clip-on fixing Left/Right	
Description	Clip-on fixing Left/Right
	DBE.SL1.GR

6 Back panel adapters	
Description	Back panel adapters
	DA1103E1.120.(^)
	Remarks:(^):Color: Matt white (MW) / Dark grey(DG)



*For more detail of huggen PTO system, see page 095-098.

MAGIC BOX

FEATURES

- Fashionable appearance,slow motion,easy assembling
- Optional for Huggen PTO system
- Drawer height 170MM
- Synchronized concealed slide Loading capacity 35KG
- Epoxy coated
- 3D regulations,up and down,left and right,front and back
- Mat,steel



MAGIC BOX H170



H170mm Magic box item code

Nominal length	Front fixing bracket						The complete set basic components includes
	Dowel-Soft closing	Screw-Soft closing	Dowel-Rebound	Screw-Rebound	Dowel-Huggen	Screw-Huggen	
270mm	DBE2.270B.(^)	DBE1.270B.(^)	DBRE2.270B.(^)	DBRE1.270B.(^)	DBPE2.270B.(^)	DBPE1.270B.(^)	1.Soft closing concealed slide(left/right) with huggen PTO system*
300mm	DBE2.300B.(^)	DBE1.300B.(^)	DBRE2.300B.(^)	DBRE1.300B.(^)	DBPE2.300B.(^)	DBPE1.300B.(^)	
350mm	DBE2.350B.(^)	DBE1.350B.(^)	DBRE2.350B.(^)	DBRE1.350B.(^)	DBPE2.350B.(^)	DBPE1.350B.(^)	2.Drawer side Left/Right
400mm	DBE2.400B.(^)	DBE1.400B.(^)	DBRE2.400B.(^)	DBRE1.400B.(^)	DBPE2.400B.(^)	DBPE1.400B.(^)	3.Plastic covers 1*2pcs
450mm	DBE2.450B.(^)	DBE1.450B.(^)	DBRE2.450B.(^)	DBRE1.450B.(^)	DBPE2.450B.(^)	DBPE1.450B.(^)	4.Front fixing brackets 1*2pcs
500mm	DBE2.500B.(^)	DBE1.500B.(^)	DBRE2.500B.(^)	DBRE1.500B.(^)	DBPE2.500B.(^)	DBPE1.500B.(^)	5.Clip-on fixing Left/Right
550mm	DBE2.550B.(^)	DBE1.550B.(^)	DBRE2.550B.(^)	DBRE1.550B.(^)	DBPE2.550B.(^)	DBPE1.550B.(^)	6.Back panel adapters 1*2pcs

Remarks:(^):Color: Matt white (MW) / Dark grey(DG)

1 Concealed slide Left/Right			
Description	Concealed slide-Soft closing	Concealed slide - Rebound	Concealed slide - HUGGEN
	DBE.(^)*SL.ZP	DBRE.(^)*SL.ZP	DBPE.(^)*SL.ZP
	Remarks:(^):Nominal length:270/300/350/400/450/500/550		

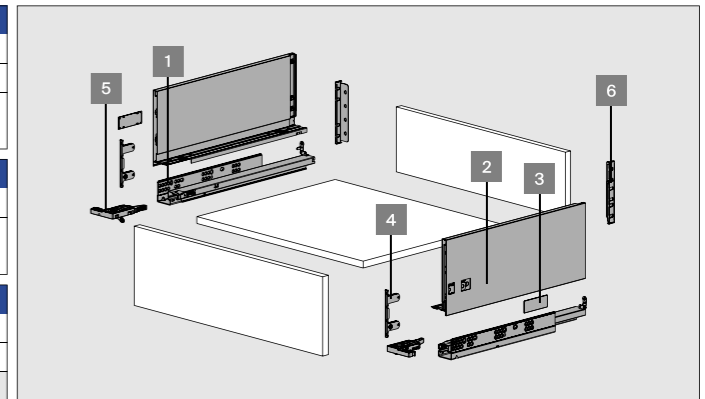
2 Drawer side Left/Right	
Description	Drawer side Left/Right
	DBE.(^)*CW.(^)
	Remarks:(^):Nominal length:270/300/350/400/450/500/550 (^):Color: Matt white (MW) / Dark grey(DG)

3 Plastic covers	
Description	Plastic covers
	DA1101E1.(^)
	Remarks:(^):Color: Matt white (MW) / Dark grey(DG)

4 Front fixing brackets			
Description		Front fixing brackets	
Dowel	Screw	Dowel	Screw
		DA1102E4.ZP	DA1102E3.ZP

5 Clip-on fixing Left/Right	
Description	Clip-on fixing Left/Right
	DBE.SL1.GR

6 Back panel adapters	
Description	Back panel adapters
	DA1103E1.170.(^)
	Remarks:(^):Color: Matt white (MW) / Dark grey(DG)



Space required

NL: Nominal length
Note: net height +3mm when installed with huggen PTO system

Cutting size

NL: Nominal length
LW: Inner Cabinet Width

Runner Installation

Same hole pattern for soft closing and push open

*For more detail of huggen PTO system, see page 095-098.

MAGIC BOX

FEATURES

- Fashionable appearance, slow motion, easy assembling
- Optional for Huggen PTO system
- Any height, with square railing
- Synchronized concealed slide Loading capacity 35KG
- Epoxy coated
- 3D regulations, up and down, left and right, front and back
- Mat: steel



MAGIC BOX

H=Any height (with square railing)



Nominal length	Front fixing bracket						The complete set basic components includes
	Dowel-Soft closing	Screw-Soft closing	Dowel-Rebound	Screw-Rebound	Dowel-Huggen	Screw-Huggen	
270mm	DBE2.270EC1.(*)	DBE1.270EC1.(*)	DBRE2.270EC1.(*)	DBRE1.270EC1.(*)	DBPE2.270EC1.(*)	DBPE1.270EC1.(*)	1.Soft closing concealed slide(left/right) with huggen PTO system*
300mm	DBE2.300EC1.(*)	DBE1.300EC1.(*)	DBRE2.300EC1.(*)	DBRE1.300EC1.(*)	DBPE2.300EC1.(*)	DBPE1.300EC1.(*)	2.Drawer side Left/Right
350mm	DBE2.350EC1.(*)	DBE1.350EC1.(*)	DBRE2.350EC1.(*)	DBRE1.350EC1.(*)	DBPE2.350EC1.(*)	DBPE1.350EC1.(*)	3.Plastic covers 1*2pcs
400mm	DBE2.400EC1.(*)	DBE1.400EC1.(*)	DBRE2.400EC1.(*)	DBRE1.400EC1.(*)	DBPE2.400EC1.(*)	DBPE1.400EC1.(*)	4.Front fixing brackets 1*2pcs
450mm	DBE2.450EC1.(*)	DBE1.450EC1.(*)	DBRE2.450EC1.(*)	DBRE1.450EC1.(*)	DBPE2.450EC1.(*)	DBPE1.450EC1.(*)	5.Clip-on fixing Left/Right
500mm	DBE2.500EC1.(*)	DBE1.500EC1.(*)	DBRE2.500EC1.(*)	DBRE1.500EC1.(*)	DBPE2.500EC1.(*)	DBPE1.500EC1.(*)	6.Back panel adapters 1*2pcs
550mm	DBE2.550EC1.(*)	DBE1.550EC1.(*)	DBRE2.550EC1.(*)	DBRE1.550EC1.(*)	DBPE2.550EC1.(*)	DBPE1.550EC1.(*)	7.Square railing Left/Right

Remarks:(*):Color: Matt white (MW) / Dark grey(DG)

1 Concealed slide Left/Right			
Description	Concealed slide-Soft closing	Concealed slide - Rebound	Concealed slide - HUGGEN
	DBE.(*)SL.ZP	DBRE.(*)SL.ZP	DBPE.(*)SL.ZP
Remarks:(*):Nominal length:270/300/350/400/450/500/550			

2 Drawer side Left/Right	
Description	Drawer side Left/Right
	DBE.(*)AW.(*)
Remarks:(*):Nominal length:270/300/350/400/450/500/550 (*)Color: Matt white (MW) / Dark grey(DG)	

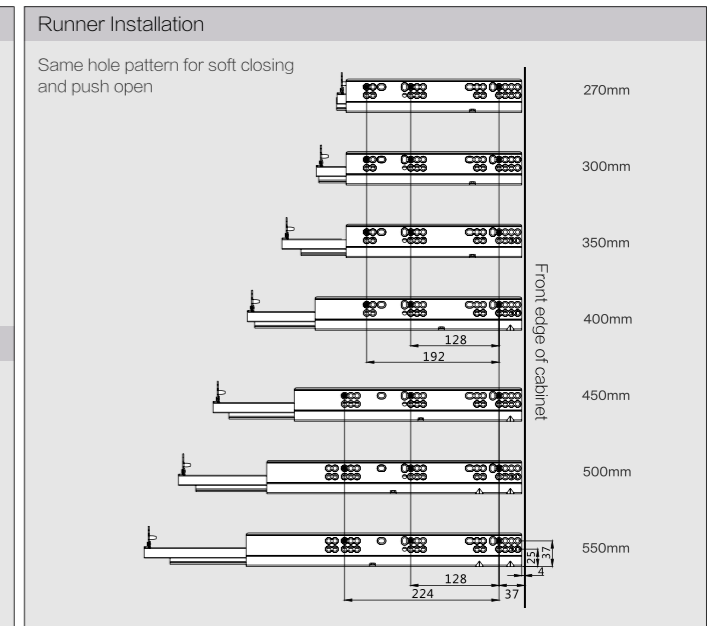
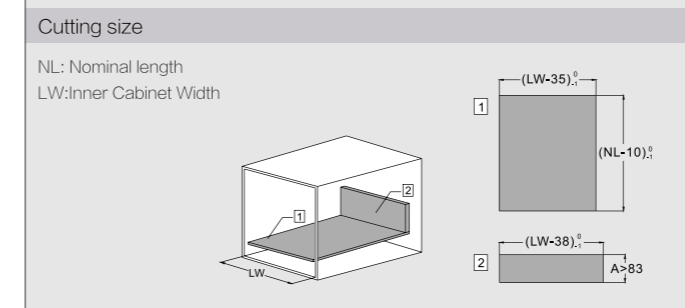
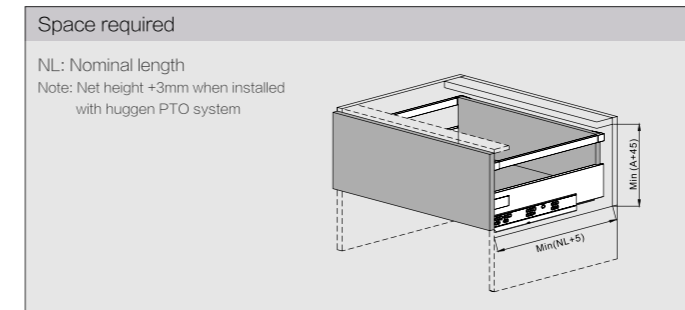
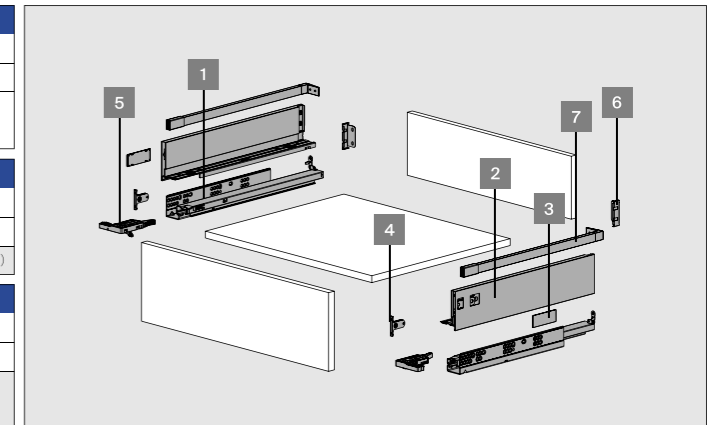
3 Plastic covers	
Description	Plastic covers
	DA1101E1.(*)
Remarks:(*):Color: Matt white (MW) / Dark grey(DG)	

4 Front fixing brackets			
Description		Front fixing brackets	
Dowel	Screw	Dowel	Screw
		DA1102E2.ZP	DA1102E1.ZP

5 Clip-on fixing Left/Right	
Description	Clip-on fixing Left/Right
	DBE.SL1.GR

6 Back panel adapters	
Description	Back panel adapters
	DA1103E1.80.(*)
(*)Color: Matt white (MW) / Dark grey(DG)	

7 Square railing Left/Right	
Description	Square railing Left/Right
	DA2101E1.(*) .(*)
Remarks:(*):Nominal length:270/300/350/400/450/500/550 (*)Color: Matt white (MW) / Dark grey(DG)	

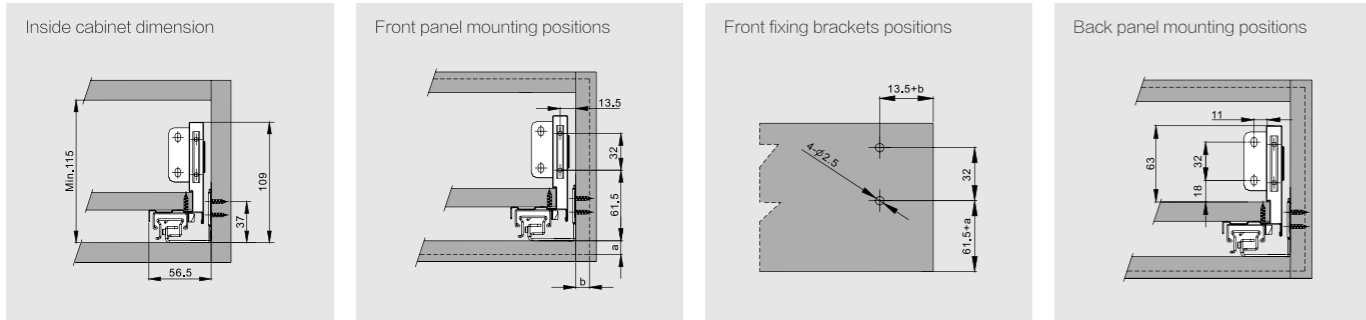


*For more detail of huggen PTO system, see page 095-098.

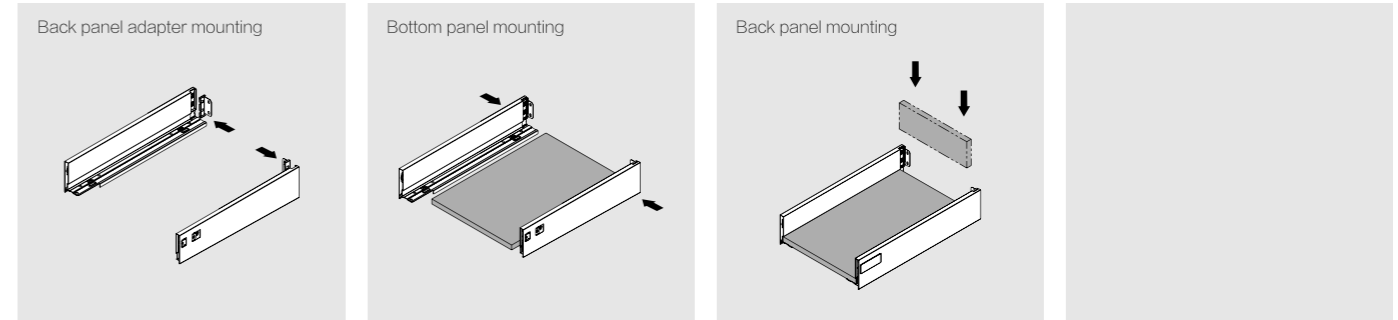
INSTALLATION INSTRUCTION

MAGIC BOX

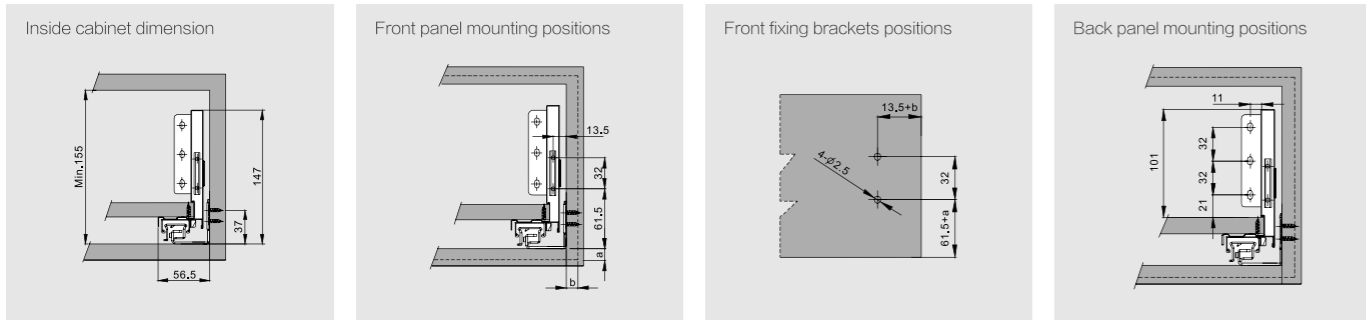
H=80mm installation instruction



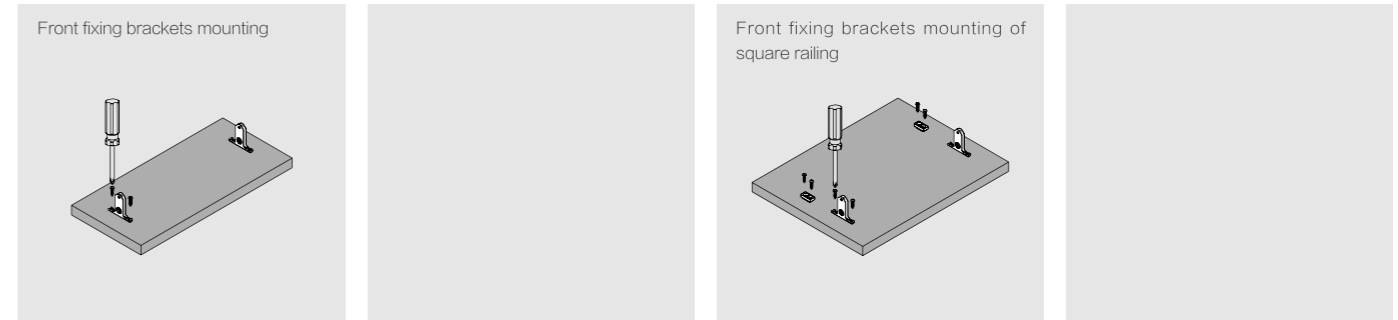
Installation instruction



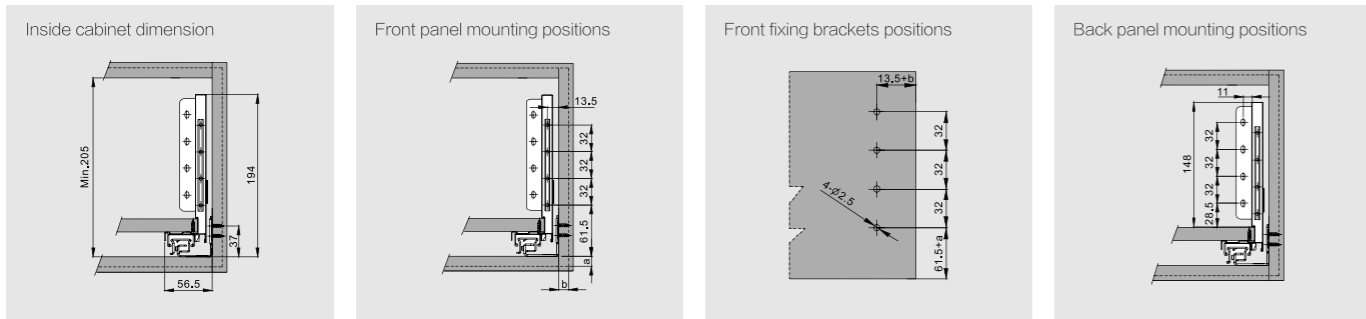
H=120mm installation instruction



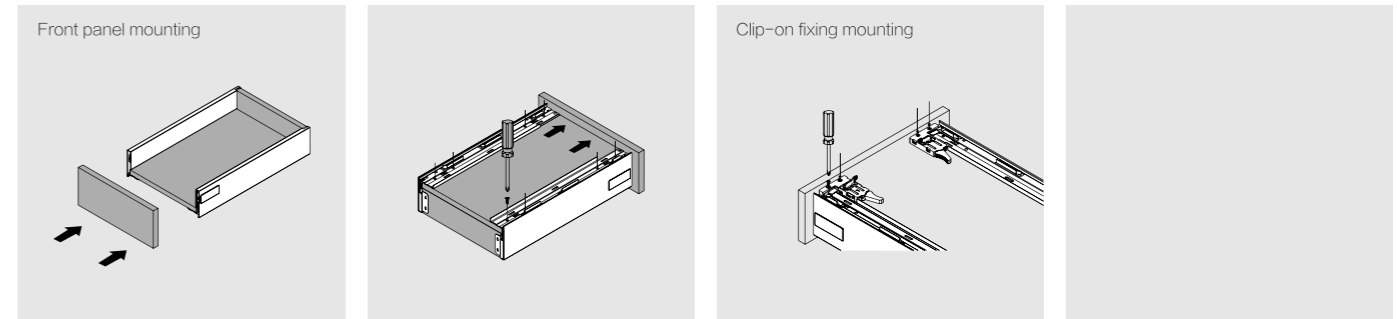
Installation instruction



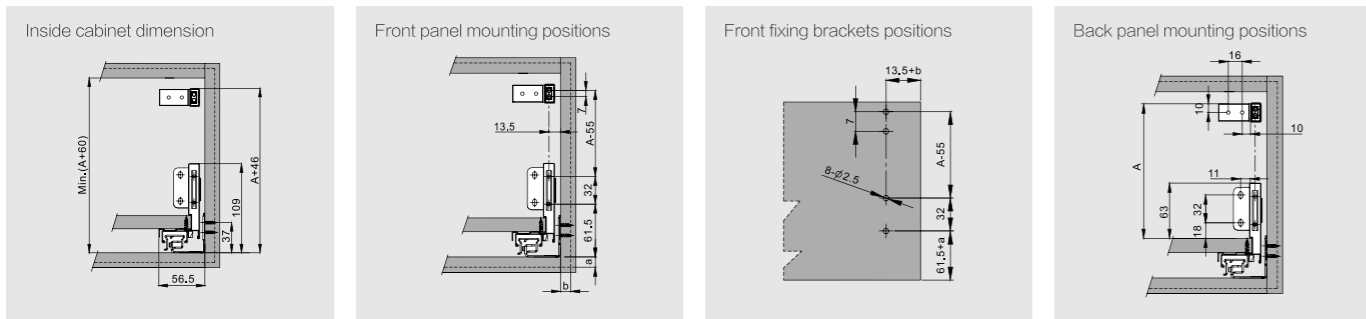
H=170mm installation instruction



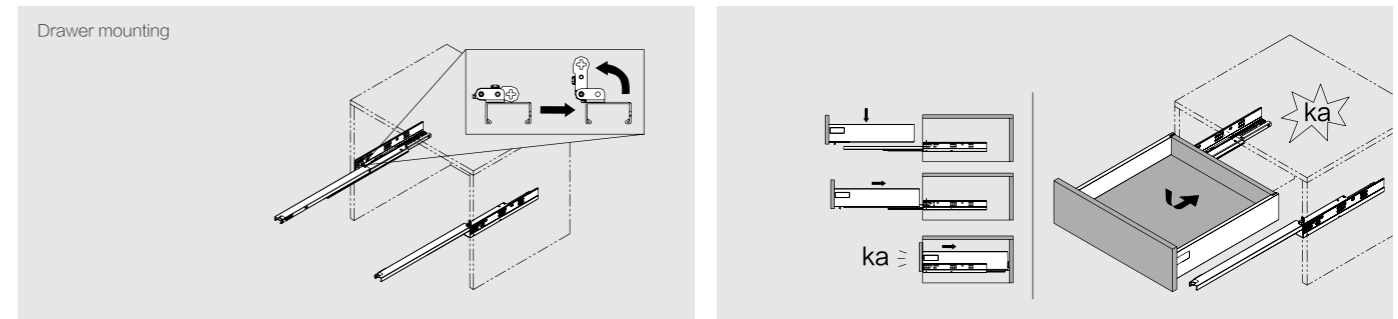
Installation instruction



H=Any height installation instruction

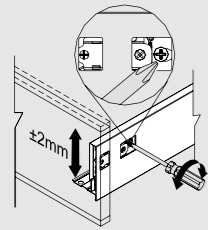


Installation instruction

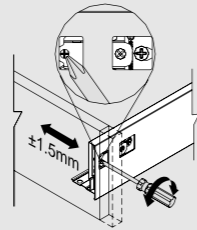


Installation instruction

Front panel height adjustment: $\pm 2\text{mm}$

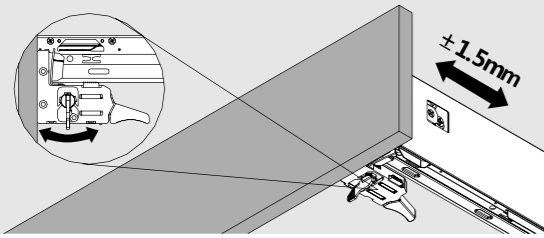


Front panel side adjustment: $\pm 1.5\text{mm}$



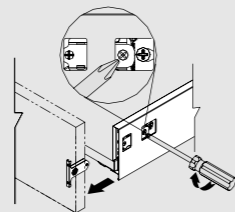
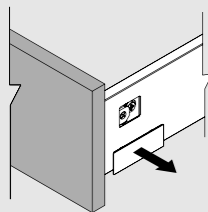
Installation instruction

Adjustment of front panel: $\pm 1.5\text{mm}$



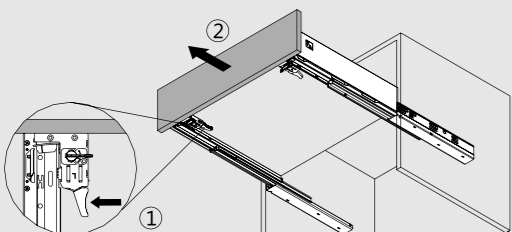
Installation instruction

Front panel disassembly



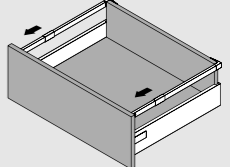
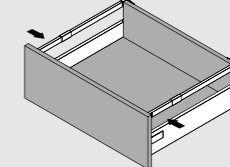
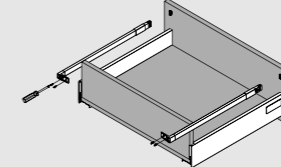
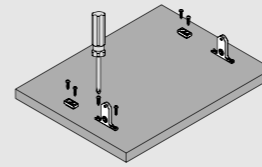
Installation instruction

Drawer box disassembly



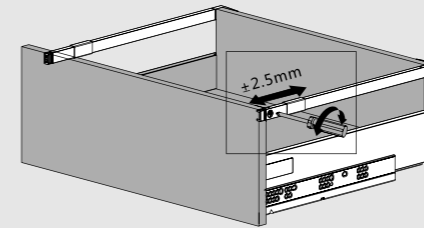
Installation instruction

Front fixing brackets mounting



Installation instruction

Adjustment of square railing





REGIC BOX -The unique charm of
the space master

REGIC BOX

REGIC BOX

FEATURES

- Fashionable appearance,slow motion,easy assembling
- Optional for Huggen PTO system
- Drawer height 80MM
- Synchronized concealed slide Loading capacity 35KG
- Epoxy coated
- Up and down,left and right,4 dimensional adjustment
- Matsteel



REGIC BOX H80



H=80mm Regic box item code

Nominal length	Front fixing bracket						The complete set basic components includes
	Dowel-Soft closing	Screw-Soft closing	Dowel-Rebound	Screw-Rebound	Dowel-Huggen	Screw-Huggen	
270mm	DBEE2.270A1.(*)	DBEE1.270A1.(*)	DBREE2.270A1.(*)	DBREE1.270A1.(*)	DBPEE2.270A1.(*)	DBPEE1.270A1.(*)	1.Soft closing concealed slide(left/right) with huggen PTO system*
300mm	DBEE2.300A1.(*)	DBEE1.300A1.(*)	DBREE2.300A1.(*)	DBREE1.300A1.(*)	DBPEE2.300A1.(*)	DBPEE1.300A1.(*)	
350mm	DBEE2.350A1.(*)	DBEE1.350A1.(*)	DBREE2.350A1.(*)	DBREE1.350A1.(*)	DBPEE2.350A1.(*)	DBPEE1.350A1.(*)	2.Drawer side Left/Right
400mm	DBEE2.400A1.(*)	DBEE1.400A1.(*)	DBREE2.400A1.(*)	DBREE1.400A1.(*)	DBPEE2.400A1.(*)	DBPEE1.400A1.(*)	3.Plastic covers 1*2pcs
450mm	DBEE2.450A1.(*)	DBEE1.450A1.(*)	DBREE2.450A1.(*)	DBREE1.450A1.(*)	DBPEE2.450A1.(*)	DBPEE1.450A1.(*)	4.Front fixing brackets 1*2pcs
500mm	DBEE2.500A1.(*)	DBEE1.500A1.(*)	DBREE2.500A1.(*)	DBREE1.500A1.(*)	DBPEE2.500A1.(*)	DBPEE1.500A1.(*)	5.Back panel adapters 1*2pcs
550mm	DBEE2.550A1.(*)	DBEE1.550A1.(*)	DBREE2.550A1.(*)	DBREE1.550A1.(*)	DBPEE2.550A1.(*)	DBPEE1.550A1.(*)	

Remarks:(*):Color: Matt white (MW) / Dark grey(DG)

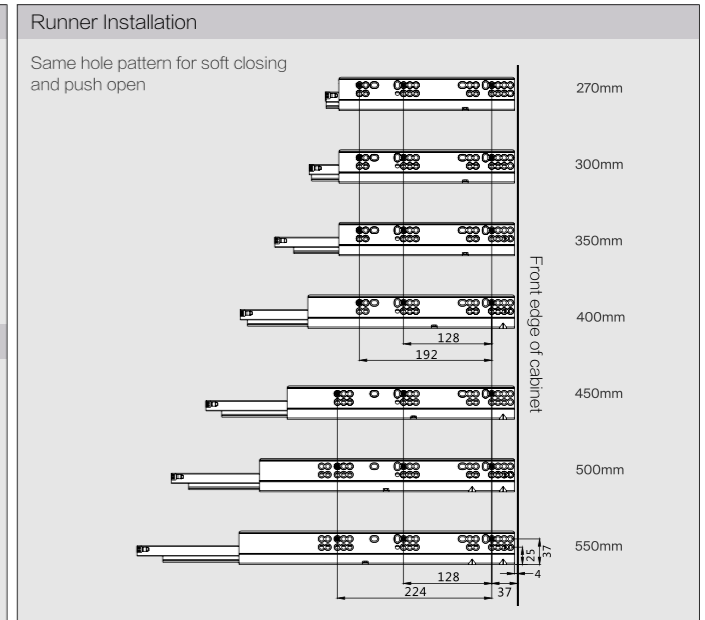
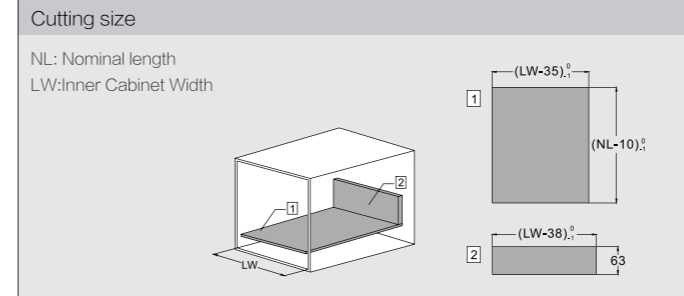
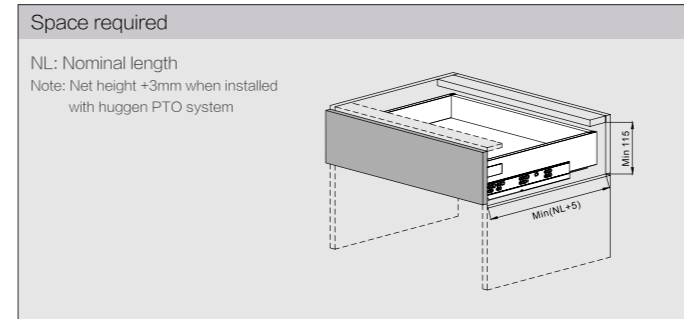
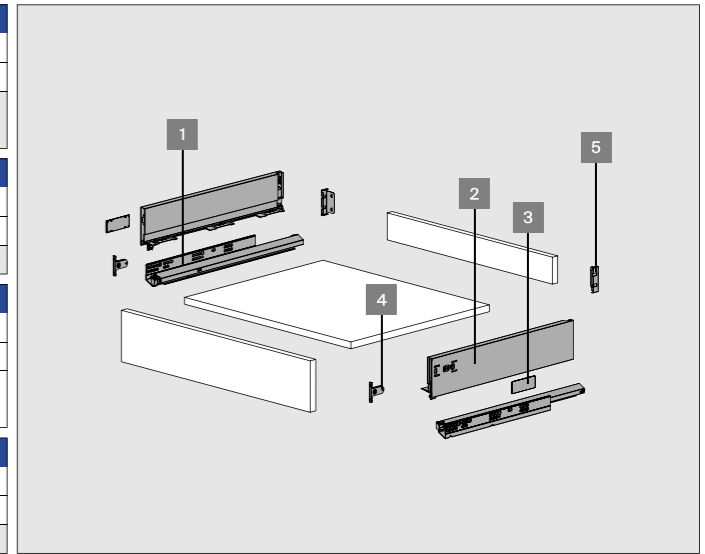
1 Concealed slide Left/Right			
Description	Concealed slide-Soft closing	Concealed slide - Rebound	Concealed slide - HUGGEN
	DBEE.(*)SL1.ZP	DBREE.(*)SL1.ZP	DBPEE.(*)SL1.ZP
Remarks:(*):Nominal length:270/300/350/400/450/500/550			

2 Drawer side Left/Right	
Description	Drawer side Left/Right
	DBEE.(*) AW.(*)
Remarks:(*):Nominal length:270/300/350/400/450/500/550 (*)Color: Matt white (MW) / Dark grey(DG)	

3 Plastic covers	
Description	Plastic covers
	DA1101E1.(*)
Remarks:(*):Color: Matt white (MW) / Dark grey(DG)	

4 Front fixing brackets			
Description		Front fixing brackets	
Dowel	Screw	Dowel	Screw
		DA1102E2.ZP	DA1102E1.ZP

5 Back panel adapters	
Description	Back panel adapters
	DA1103E1.80.(*)
Remarks:(*):Color: Matt white (MW) / Dark grey(DG)	



*For more detail of huggen PTO system, see page 095-098.

REGIC BOX

FEATURES

- Fashionable appearance,slow motion,easy assembling
- Optional for Huggen PTO system
- Drawer height 120MM
- Synchronized concealed slide Loading capacity 35KG
- Epoxy coated
- Up and down,left and right,4 dimensional adjustment
- Mat:steel



REGIC BOX H120



H=120mm Regic box item code

Nominal length	Front fixing bracket						The complete set basic components includes
	Dowel-Soft closing	Screw-Soft closing	Dowel-Rebound	Screw-Rebound	Dowel-Huggen	Screw-Huggen	
270mm	DBEE2.270B1.(^)	DBEE1.270B1.(^)	DBREE2.270B1.(^)	DBREE1.270B1.(^)	DBPEE2.270B1.(^)	DBPEE1.270B1.(^)	1.Soft closing concealed slide(left/right) with huggen PTO system*
300mm	DBEE2.300B1.(^)	DBEE1.300B1.(^)	DBREE2.300B1.(^)	DBREE1.300B1.(^)	DBPEE2.300B1.(^)	DBPEE1.300B1.(^)	
350mm	DBEE2.350B1.(^)	DBEE1.350B1.(^)	DBREE2.350B1.(^)	DBREE1.350B1.(^)	DBPEE2.350B1.(^)	DBPEE1.350B1.(^)	2.Drawer side Left/Right
400mm	DBEE2.400B1.(^)	DBEE1.400B1.(^)	DBREE2.400B1.(^)	DBREE1.400B1.(^)	DBPEE2.400B1.(^)	DBPEE1.400B1.(^)	3.Plastic covers 1*2pcs
450mm	DBEE2.450B1.(^)	DBEE1.450B1.(^)	DBREE2.450B1.(^)	DBREE1.450B1.(^)	DBPEE2.450B1.(^)	DBPEE1.450B1.(^)	4.Front fixing brackets 1*2pcs
500mm	DBEE2.500B1.(^)	DBEE1.500B1.(^)	DBREE2.500B1.(^)	DBREE1.500B1.(^)	DBPEE2.500B1.(^)	DBPEE1.500B1.(^)	5.Back panel adapters 1*2pcs
550mm	DBEE2.550B1.(^)	DBEE1.550B1.(^)	DBREE2.550B1.(^)	DBREE1.550B1.(^)	DBPEE2.550B1.(^)	DBPEE1.550B1.(^)	

Remarks:(^):Color: Matt white (MW) / Dark grey(DG)

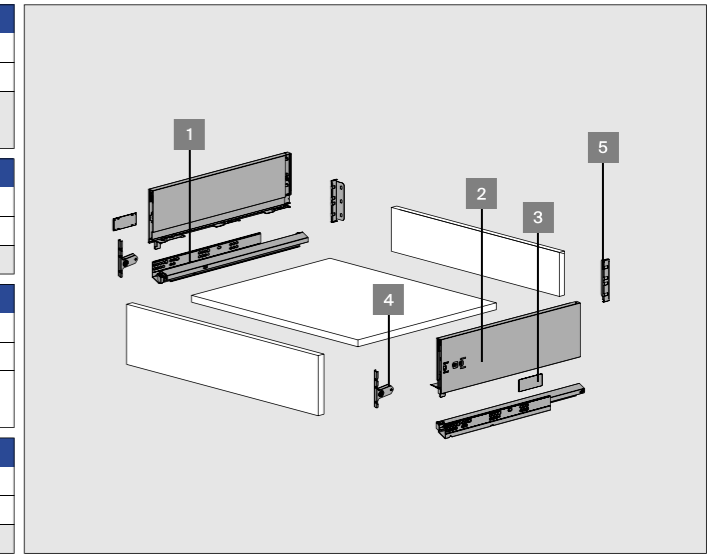
1 Concealed slide Left/Right			
Description	Concealed slide-Soft closing	Concealed slide - Rebound	Concealed slide - HUGGEN
	DBEE.(^)*SL1.ZP	DBREE.(^)*SL1.ZP	DBPEE.(^)*SL1.ZP
Remarks:(^):Nominal length:270/300/350/400/450/500/550			

2 Drawer side Left/Right	
Description	Drawer side Left/Right
	DBEE.(^)* BW.(^)
Remarks:(^):Nominal length:270/300/350/400/450/500/550 (^):Color: Matt white (MW) / Dark grey(DG)	

3 Plastic covers	
Description	Plastic covers
	DA1101E1.(^)
Remarks:(^):Color: Matt white (MW) / Dark grey(DG)	

4 Front fixing brackets			
Description		Front fixing brackets	
Dowel	Screw	Dowel	Screw
		DA1102E6.ZP	DA1102E5.ZP

5 Back panel adapters	
Description	Back panel adapters
	DA1103E1.120.(^)
Remarks:(^):Color: Matt white (MW) / Dark grey(DG)	



Space required

NL: Nominal length
Note: Net height +3mm when installed with huggen PTO system

Cutting size

NL: Nominal length
LW: Inner Cabinet Width

Runner Installation

Same hole pattern for soft closing and push open

*For more detail of huggen PTO system, see page 095-098.

REGIC BOX

FEATURES

- Fashionable appearance,slow motion,easy assembling
- Optional for Huggen PTO system
- Drawer height 170MM
- Synchronized concealed slide Loading capacity 35KG
- Epoxy coated
- Up and down,left and right,4 dimensional adjustment
- Mat:steel



REGIC BOX H170



H=170mm Regic box item code

Nominal length	Front fixing bracket						The complete set basic components includes
	Dowel-Soft closing	Screw-Soft closing	Dowel-Rebound	Screw-Rebound	Dowel-Huggen	Screw-Huggen	
270mm	DBEE2.270C1.(*)	DBEE1.270C1.(*)	DBREE2.270C1.(*)	DBREE1.270C1.(*)	DBPEE2.270C1.(*)	DBPEE1.270C1.(*)	1.Soft closing concealed slide(left/right) with huggen PTO system*
300mm	DBEE2.300C1.(*)	DBEE1.300C1.(*)	DBREE2.300C1.(*)	DBREE1.300C1.(*)	DBPEE2.300C1.(*)	DBPEE1.300C1.(*)	
350mm	DBEE2.350C1.(*)	DBEE1.350C1.(*)	DBREE2.350C1.(*)	DBREE1.350C1.(*)	DBPEE2.350C1.(*)	DBPEE1.350C1.(*)	2.Drawer side Left/Right
400mm	DBEE2.400C1.(*)	DBEE1.400C1.(*)	DBREE2.400C1.(*)	DBREE1.400C1.(*)	DBPEE2.400C1.(*)	DBPEE1.400C1.(*)	3.Plastic covers 1*2pcs
450mm	DBEE2.450C1.(*)	DBEE1.450C1.(*)	DBREE2.450C1.(*)	DBREE1.450C1.(*)	DBPEE2.450C1.(*)	DBPEE1.450C1.(*)	4.Front fixing brackets 1*2pcs
500mm	DBEE2.500C1.(*)	DBEE1.500C1.(*)	DBREE2.500C1.(*)	DBREE1.500C1.(*)	DBPEE2.500C1.(*)	DBPEE1.500C1.(*)	5.Back panel adapters 1*2pcs
550mm	DBEE2.550C1.(*)	DBEE1.550C1.(*)	DBREE2.550C1.(*)	DBREE1.550C1.(*)	DBPEE2.550C1.(*)	DBPEE1.550C1.(*)	

Remarks:(*):Color: Matt white (MW) / Dark grey(DG)

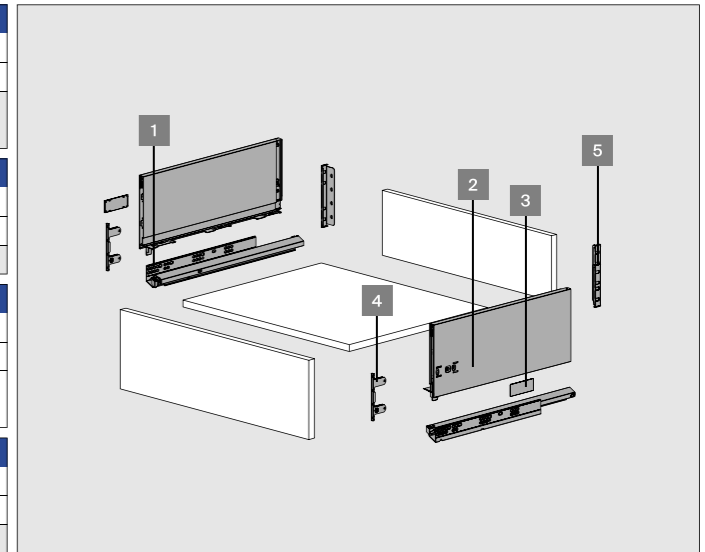
1 Concealed slide Left/Right			
Description	Concealed slide-Soft closing	Concealed slide - Rebound	Concealed slide - HUGGEN
	DBEE.(*)SL1.ZP	DBREE.(*)SL1.ZP	DBPEE.(*)SL1.ZP
Remarks:(*):Color: Matt white (MW) / Dark grey(DG)			

2 Drawer side Left/Right	
Description	Drawer side Left/Right
	DBEE.(*) CW.(*)
Remarks:(*):Nominal length:270/300/350/400/450/500/550 (*)Color: Matt white (MW) / Dark grey(DG)	

3 Plastic covers	
Description	Plastic covers
	DA1101E1.(*)
Remarks:(*):Color: Matt white (MW) / Dark grey(DG)	

4 Front fixing brackets			
Description		Front fixing brackets	
Dowel	Screw	Dowel	Screw
		DA1102E4.ZP	DA1102E3.ZP

5 Back panel adapters	
Description	Back panel adapters
	DA1103E1.170.(*)
Remarks:(*):Color: Matt white (MW) / Dark grey(DG)	



Space required

NL: Nominal length
Note: Net height +3mm when installed with huggen PTO system

Cutting size

NL: Nominal length
LW: Inner Cabinet Width

Runner Installation

Same hole pattern for soft closing and push open

*For more detail of huggen PTO system, see page 095-098.

REGIC BOX

FEATURES

- Fashionable appearance,slow motion,easy assembling
- Optional for Huggen PTO system
- Any height,with square railing
- Synchronized concealed slide Loading capacity 35KG
- Epoxy coated
- Up and down,left and right,4 dimensional adjustment
- Matsteel



REGIC BOX

H=Any height(With square railing)



Any height Regil box item code(with square railing)

Nominal length	Front fixing bracket						The complete set basic components includes
	Dowel-Soft closing	Screw-Soft closing	Dowel-Rebound	Screw-Rebound	Dowel-Huggen	Screw-Huggen	
270mm	DBEE2.270EC1.(*)	DBEE1.270EC1.(*)	DBREE2.270EC1.(*)	DBREE1.270EC1.(*)	DBPEE2.270EC1.(*)	DBPEE1.270EC1.(*)	1.Soft closing concealed slide(left/right) with huggen PTO system*
300mm	DBEE2.300EC1.(*)	DBEE1.300EC1.(*)	DBREE2.300EC1.(*)	DBREE1.300EC1.(*)	DBPEE2.300EC1.(*)	DBPEE1.300EC1.(*)	
350mm	DBEE2.350EC1.(*)	DBEE1.350EC1.(*)	DBREE2.350EC1.(*)	DBREE1.350EC1.(*)	DBPEE2.350EC1.(*)	DBPEE1.350EC1.(*)	2.Drawer side Left/Right
400mm	DBEE2.400EC1.(*)	DBEE1.400EC1.(*)	DBREE2.400EC1.(*)	DBREE1.400EC1.(*)	DBPEE2.400EC1.(*)	DBPEE1.400EC1.(*)	3.Plastic covers 1*2pcs
450mm	DBEE2.450EC1.(*)	DBEE1.450EC1.(*)	DBREE2.450EC1.(*)	DBREE1.450EC1.(*)	DBPEE2.450EC1.(*)	DBPEE1.450EC1.(*)	4.Front fixing brackets 1*2pcs
500mm	DBEE2.500EC1.(*)	DBEE1.500EC1.(*)	DBREE2.500EC1.(*)	DBREE1.500EC1.(*)	DBPEE2.500EC1.(*)	DBPEE1.500EC1.(*)	5.Back panel adapters 1*2pcs
550mm	DBEE2.550EC1.(*)	DBEE1.550EC1.(*)	DBREE2.550EC1.(*)	DBREE1.550EC1.(*)	DBPEE2.550EC1.(*)	DBPEE1.550EC1.(*)	Square railing Left/Right

Remarks:(*):Color: Matt white (MW) / Dark grey(DG)

1 Concealed slide Left/Right			
Description	Concealed slide-Soft closing	Concealed slide - Rebound	Concealed slide - HUGGEN
	DBEE.(*)SL1.ZP	DBREE.(*)SL1.ZP	DBPEE.(*)SL1.ZP
	Remarks:(*):Nominal length:270/300/350/400/450/500/550		

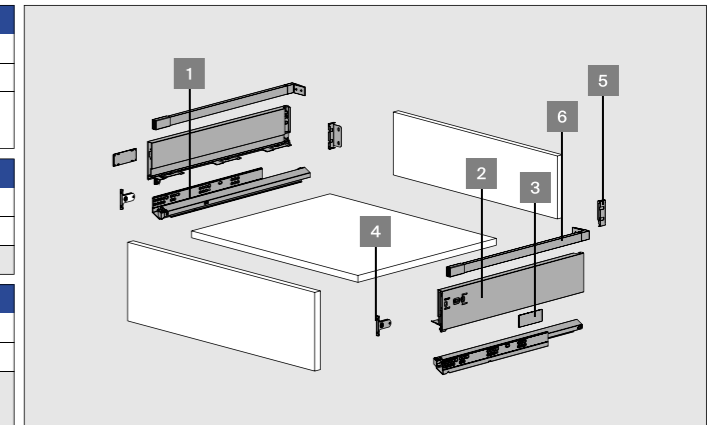
2 Drawer side Left/Right	
Description	Drawer side Left/Right
	DBE.(*)AW.(*)
	Remarks:(*):Nominal length:270/300/350/400/450/500/550 (*)Color: Matt white (MW) / Dark grey(DG)

3 Plastic covers	
Description	Plastic covers
	DA1101E1.(*)
	Remarks:(*):Color: Matt white (MW) / Dark grey(DG)

4 Front fixing brackets			
Description		Front fixing brackets	
Dowel	Screw	Dowel	Screw
		DA1102E2.ZP	DA1102E1.ZP

5 Back panel adapters	
Description	Back panel adapters
	DA1103E1.80.(*)
	Remarks:(*):Color: Matt white (MW) / Dark grey(DG)

6 Square railing Left/Right	
Description	Square railing Left/Right
	DA2101E1.(*) .(*)
	Remarks:(*):Nominal length:270/300/350/400/450/500/550 (*)Color: Matt white (MW) / Dark grey(DG)



Space required

NL: Nominal length
Note: Net height +3mm when installed with huggen PTO system

Cutting size

NL: Nominal length
LW: Inner Cabinet Width

Runner Installation

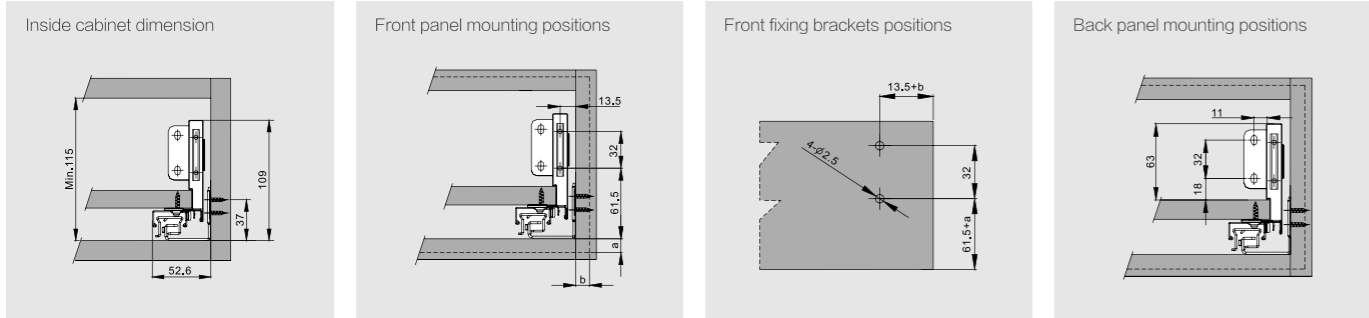
Same hole pattern for soft closing and push open

*For more detail of huggen PTO system, see page 095-098.

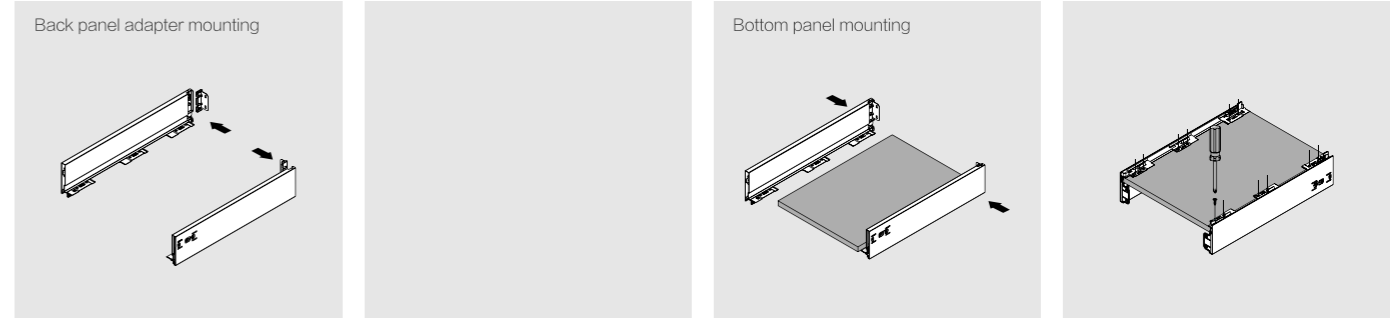
INSTALLATION INSTRUCTION

REGIC BOX

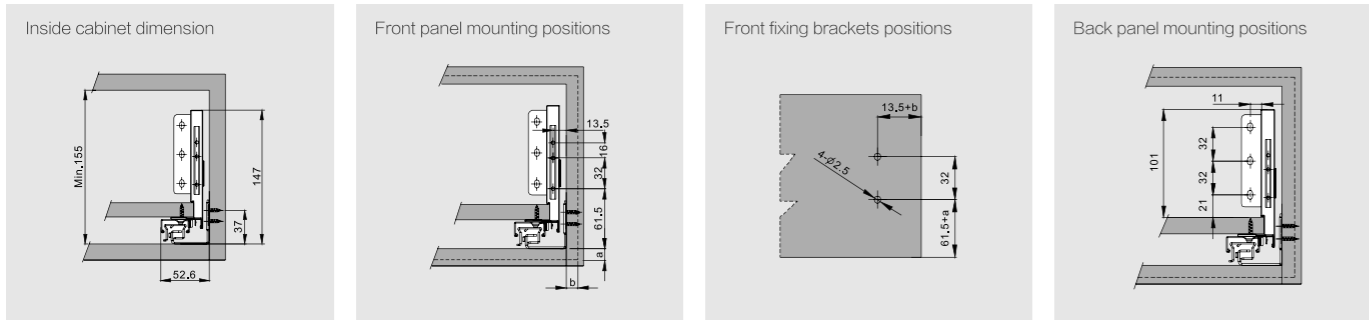
H=80mm installation instruction



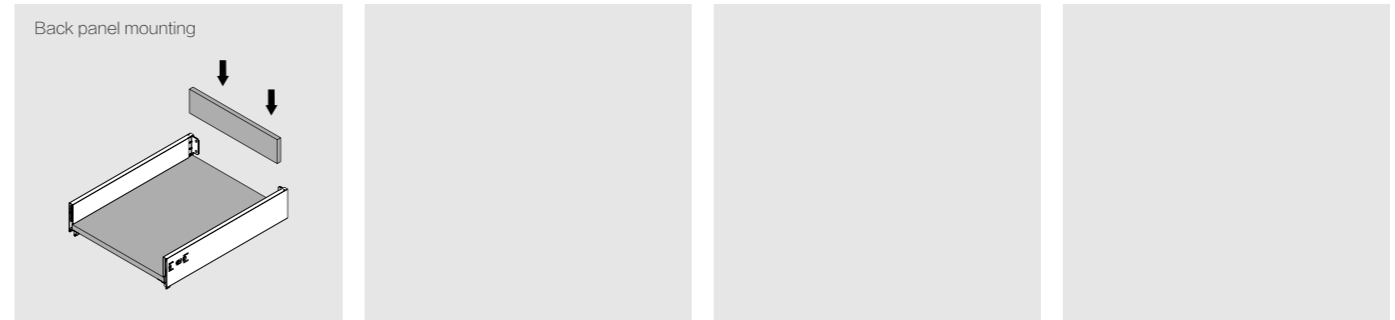
Installation instruction



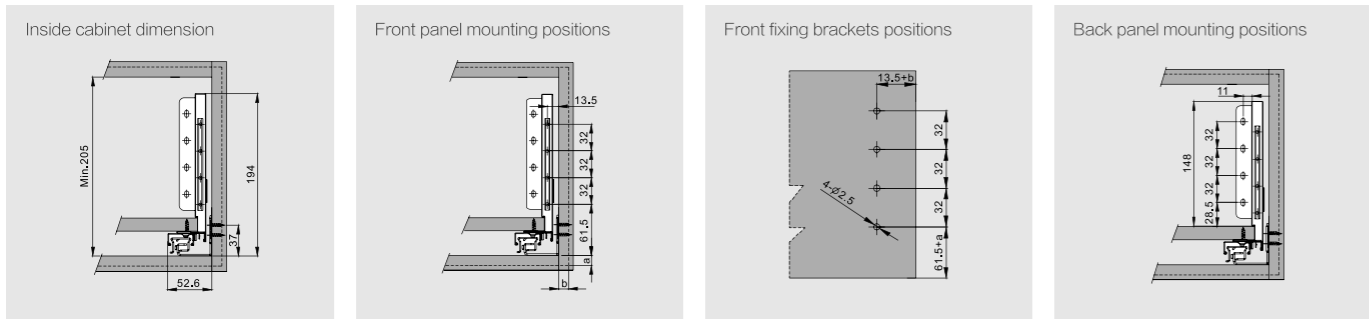
H=120mm installation instruction



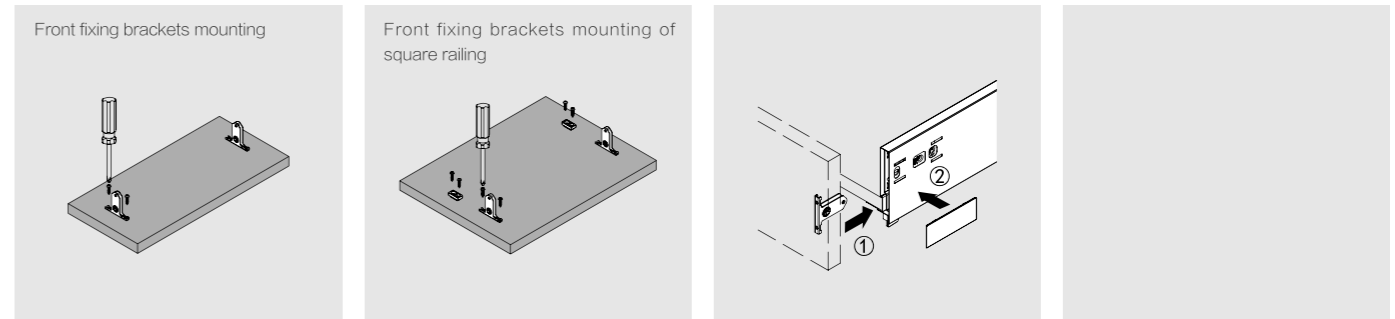
Installation instruction



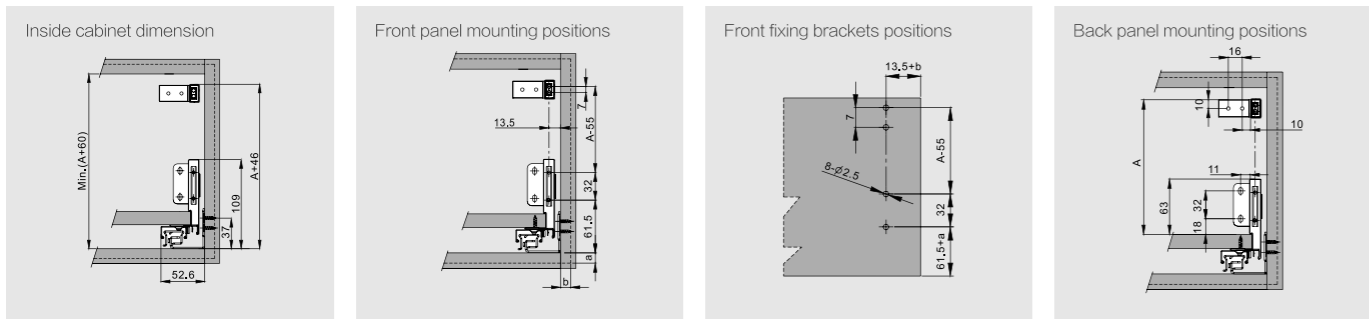
H=170mm installation instruction



Installation instruction



H=Any height installation instruction

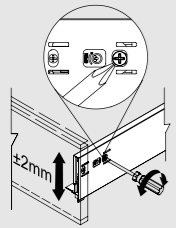


Installation instruction

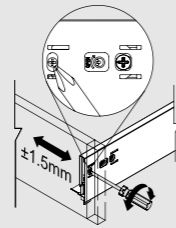


Installation instruction

Front panel height adjustment: +2mm

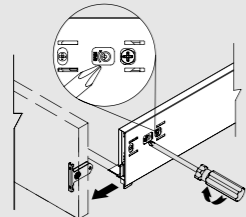
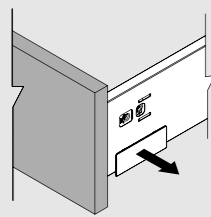


Front panel side adjustment: +1.5mm



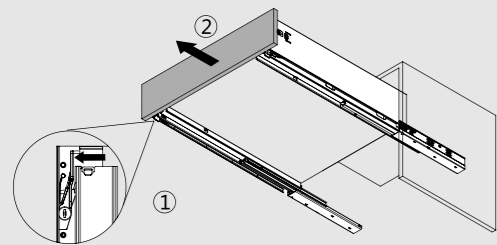
Installation instruction

Front panel disassembly



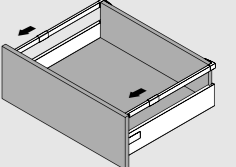
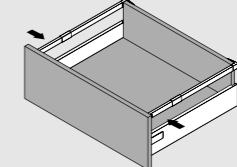
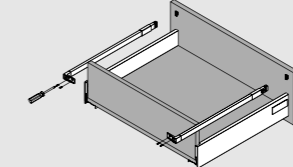
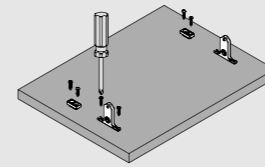
Installation instruction

Drawer box disassembly



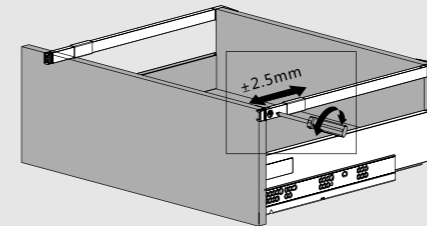
Installation instruction

Front fixing brackets mounting



Installation instruction

Adjustment of square railing





COBOX - Perfect combination of quality and sense of space

COBOX

FEATURES


- Fashionable appearance,slow motion
- Optional for Huggen PTO system
- Drawer height 80MM
- Synchronized concealed slide Loading capacity 30KG
- Epoxy coated
- Up and down,left and right
- Mat.steel





H80mm Cobox item code

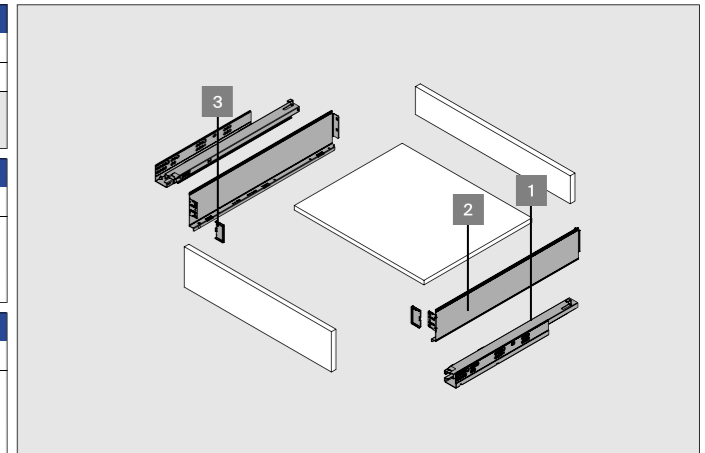
Nominal length	Item code				The complete set basic components includes
	Soft closing	Rebound	Single ext. soft closing	Huggen	
270mm	DBEB1.270A1.TCA	DBREB1.270A1.TCA	DBEB1.270A2.TCA	DBPEB1.270A1.TCA	1.Soft closing concealed slide(left/right) with huggen PTO system*
300mm	DBEB1.300A1.TCA	DBREB1.300A1.TCA	DBEB1.300A2.TCA	DBPEB1.300A1.TCA	2.Drawer box runner(left/right)
350mm	DBEB1.350A1.TCA	DBREB1.350A1.TCA	DBEB1.350A2.TCA	DBPEB1.350A1.TCA	3.Plastic covers 1*2pcs
400mm	DBEB1.400A1.TCA	DBREB1.400A1.TCA	DBEB1.400A2.TCA	DBPEB1.400A1.TCA	
450mm	DBEB1.450A1.TCA	DBREB1.450A1.TCA	DBEB1.450A2.TCA	DBPEB1.450A1.TCA	
500mm	DBEB1.500A1.TCA	DBREB1.500A1.TCA	DBEB1.500A2.TCA	DBPEB1.500A1.TCA	
550mm	DBEB1.550A1.TCA	DBREB1.550A1.TCA	DBEB1.550A2.TCA	DBPEB1.550A1.TCA	

Remarks:Color: TCA Patent No.ZL 2018 2 1582781.X

1 Concealed slide Left/Right				
Description	Concealed slide-Soft closing	Concealed slide-Rebound	Concealed slide-Single ext.soft closing	Concealed slide-Huggen
	CL11E1.(*)ZP	CL13E1.(*)ZP	CL21E1.(*)ZP	CL15E1.(*)ZP
emarks:(*):Nominal length:270/300/350/400/450/500/550				

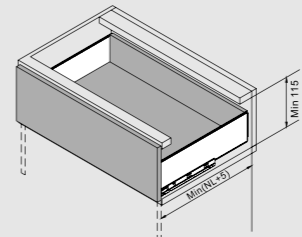
2 Drawer box runner(left/right)	
Description	Drawer box runner(left/right)
	DBEB.(*) AW.TCA
emarks:(*):Nominal length:270/300/350/400/450/500/550	

3 Plastic covers	
Description	Plastic covers
	DA1109B1.TCA



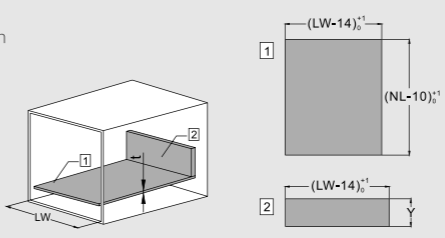
Space required

NL: Nominal length
Note: Net height +3mm when installed with huggen PTO system



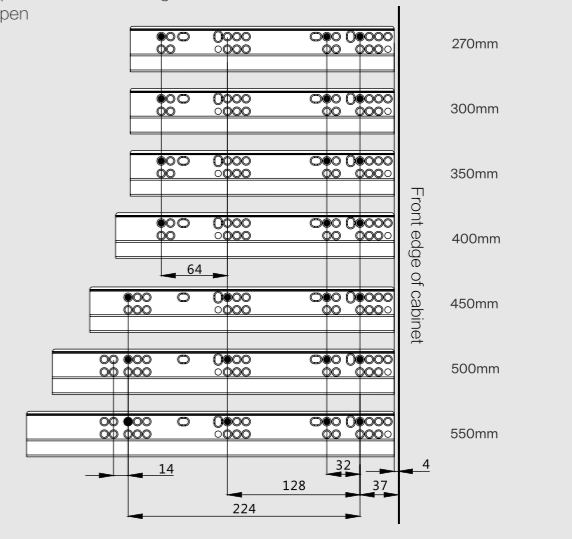
Cutting size

NL: Nominal length
LW:Inner Cabinet Width



Runner Installation

Same hole pattern for soft closing and push open



*For more detail of huggen PTO system, see page 095-098.

FEATURES

- Fashionable appearance,slow motion
- Optional for Huggen PTO system
- Drawer height 120MM
- Synchronized concealed slide Loading capacity 30KG
- Epoxy coated
- Up and down,left and right
- Mat.steel



COBOX
H120



H120mm Cobox item code

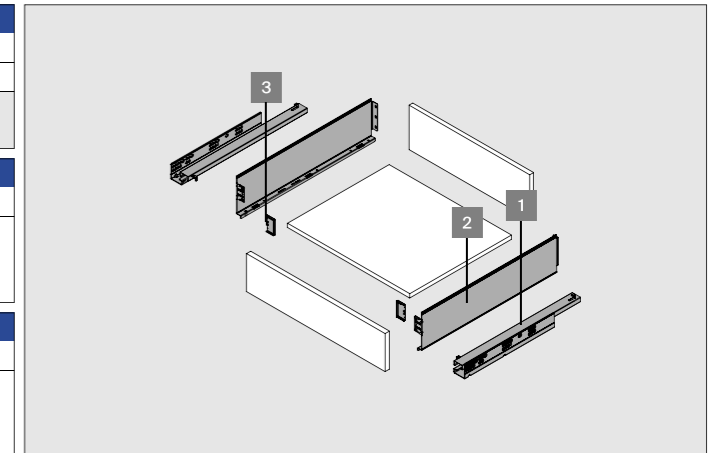
Nominal length	Item code				The complete set basic components includes
	Soft closing	Rebound	Single ext. soft closing	Huggen	
270mm	DBEB1.270B1.TCA	DBREB1.270B1.TCA	DBEB1.270B2.TCA	DBPEB1.270B1.TCA	1.Soft closing concealed slide(left/right) with huggen PTO system*
300mm	DBEB1.300B1.TCA	DBREB1.300B1.TCA	DBEB1.300B2.TCA	DBPEB1.300B1.TCA	2.Drawer box runner(left/right)
350mm	DBEB1.350B1.TCA	DBREB1.350B1.TCA	DBEB1.350B2.TCA	DBPEB1.350B1.TCA	3.Plastic covers 1*2pcs
400mm	DBEB1.400B1.TCA	DBREB1.400B1.TCA	DBEB1.400B2.TCA	DBPEB1.400B1.TCA	
450mm	DBEB1.450B1.TCA	DBREB1.450B1.TCA	DBEB1.450B2.TCA	DBPEB1.450B1.TCA	
500mm	DBEB1.500B1.TCA	DBREB1.500B1.TCA	DBEB1.500B2.TCA	DBPEB1.500B1.TCA	
550mm	DBEB1.550B1.TCA	DBREB1.550B1.TCA	DBEB1.550B2.TCA	DBPEB1.550B1.TCA	

Remarks:Color: TCA Patent No.ZL 2018 2 1582781.X

1 Concealed slide Left/Right				
Description	Concealed slide-Soft closing	Concealed slide-Rebound	Concealed slide-Single ext.soft closing	Concealed slide-Huggen
	CL11E1.(*) ZP	CL13E1.(*) ZP	CL21E1.(*) ZP	CL15E1.(*) ZP
emarks:(*):Nominal length:270/300/350/400/450/500/550				

2 Drawer side Left/Right	
Description	Drawer side Left/Right
	DBEB.(*) BW.TCA
emarks:(*):Nominal length:270/300/350/400/450/500/550	

3 Plastic covers	
Description	Plastic covers
	DA1109B1.TCA



Space required

NL: Nominal length
Note: Net height +3mm when installed with huggen PTO system

Cutting size

NL: Nominal length
LW: Inner Cabinet Width

H120:Y=117-t

Runner Installation

Same hole pattern for soft closing and push open


*For more detail of huggen PTO system, see page 095-098.


- Fashionable appearance,slow motion
- Optional for Huggen PTO system
- Drawer height 150MM
- Synchronized concealed slide Loading capacity 30KG
- Epoxy coated
- Up and down,left and right
- Mat:steel




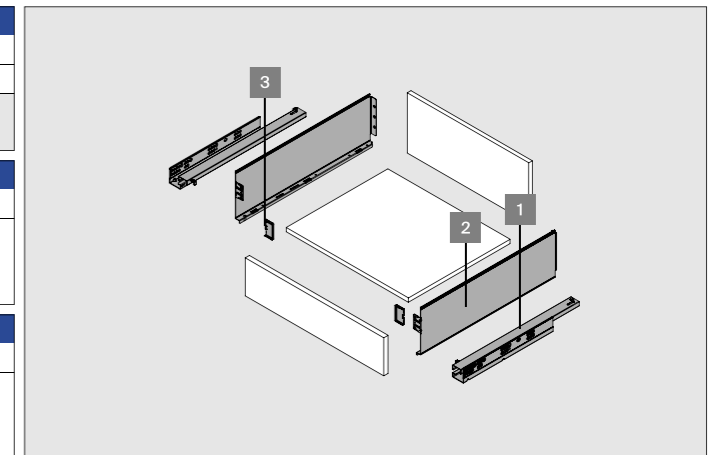
H150mm Cobox item code					
Nominal length	Item code				The complete set basic components includes
	Soft closing	Rebound	Single ext. soft closing	Huggen	
270mm	DBEB1.270C1.TCA	DBREB1.270C1.TCA	DBEB1.270C2.TCA	DBPEB1.270C1.TCA	1.Soft closing concealed slide(left/right) with huggen PTO system*
300mm	DBEB1.300C1.TCA	DBREB1.300C1.TCA	DBEB1.300C2.TCA	DBPEB1.300C1.TCA	2.Drawer box runner(left/right)
350mm	DBEB1.350C1.TCA	DBREB1.350C1.TCA	DBEB1.350C2.TCA	DBPEB1.350C1.TCA	3.Plastic covers 1*2pcs
400mm	DBEB1.400C1.TCA	DBREB1.400C1.TCA	DBEB1.400C2.TCA	DBPEB1.400C1.TCA	
450mm	DBEB1.450C1.TCA	DBREB1.450C1.TCA	DBEB1.450C2.TCA	DBPEB1.450C1.TCA	
500mm	DBEB1.500C1.TCA	DBREB1.500C1.TCA	DBEB1.500C2.TCA	DBPEB1.500C1.TCA	
550mm	DBEB1.550C1.TCA	DBREB1.550C1.TCA	DBEB1.550C2.TCA	DBPEB1.550C1.TCA	

Remarks:Color: TCA Patent No.ZL 2018 2 1582781.X

1 Concealed slide Left/Right				
Description	Concealed slide-Soft closing	Concealed slide-Rebound	Concealed slide-Single ext.soft closing	Concealed slide-Huggen
	CL11E1.(*)ZP	CL13E1.(*)ZP	CL21E1.(*)ZP	CL15E1.(*)ZP
Remarks:(*):Nominal length:270/300/350/400/450/500/550				

2 Drawer side Left/Right	
Description	Drawer side Left/Right
	DBEB.(*) CW.TCA
Remarks:(*):Nominal length:270/300/350/400/450/500/550	

3 Plastic covers	
Description	Plastic covers
	DA1109B1.TCA



Space required

NL: Nominal length
Note: Net height +3mm when installed with huggen PTO system

Cutting size

NL: Nominal length
LW:Inner Cabinet Width

H150:Y=147-t

Runner Installation

Same hole pattern for soft closing and push open

*For more detail of huggen PTO system, see page 095-098.

FEATURES

- Fashionable appearance,slow motion
- Optional for Huggen PTO system
- Any height,with square railing
- Synchronized concealed slide Loading capacity 30KG
- Epoxy coated
- Up and down,left and right
- Mat:steel



H=Any height (Drawing bar)



Any height Cobox item code(with square railing)

Nominal length	Item code				The complete set basic components includes
	Soft closing	Rebound	Single ext. soft closing	Huggen	
270mm	DBEB1.270FA1.TCA	DBREB1.270FA1.TCA	DBEB1.270FA2.TCA	DBPEB1.270FA1.TCA	1.Soft closing concealed slide(left/right) with huggen PTO system*
300mm	DBEB1.300FA1.TCA	DBREB1.300FA1.TCA	DBEB1.300FA2.TCA	DBPEB1.300FA1.TCA	2.Drawer box runner(left/right)
350mm	DBEB1.350FA1.TCA	DBREB1.350FA1.TCA	DBEB1.350FA2.TCA	DBPEB1.350FA1.TCA	3.Plastic covers 1*2pcs
400mm	DBEB1.400FA1.TCA	DBREB1.400FA1.TCA	DBEB1.400FA2.TCA	DBPEB1.400FA1.TCA	4.Drawing bar(left/right)
450mm	DBEB1.450FA1.TCA	DBREB1.450FA1.TCA	DBEB1.450FA2.TCA	DBPEB1.450FA1.TCA	
500mm	DBEB1.500FA1.TCA	DBREB1.500FA1.TCA	DBEB1.500FA2.TCA	DBPEB1.500FA1.TCA	
550mm	DBEB1.550FA1.TCA	DBREB1.550FA1.TCA	DBEB1.550FA2.TCA	DBPEB1.550FA1.TCA	

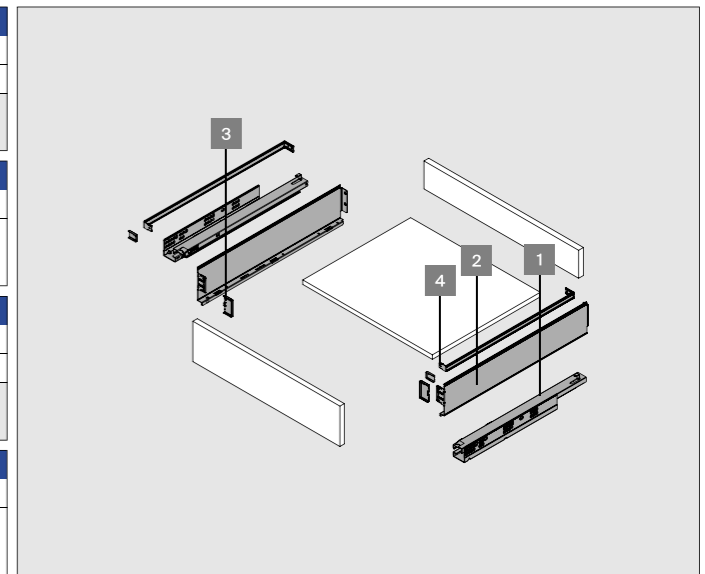
Remarks:Color: TCA Patent No.ZL 2018 2 1582781.X

1 Concealed slide Left/Right				
Description	Concealed slide-Soft closing	Concealed slide-Rebound	Concealed slide-Single ext.soft closing	Concealed slide-Huggen
	CL11E1.(*) .ZP	CL13E1.(*) .ZP	CL21E1.(*) .ZP	CL15E1.(*) .ZP
Remarks:(*):Nominal length:270/300/350/400/450/500/550				

2 Drawer side Left/Right	
Description	Drawer side Left/Right
	DBEB.(*) AW.TCA
Remarks:(*):Nominal length:270/300/350/400/450/500/550	

3 Plastic covers	
Description	Plastic covers
	DA1109B1.TCA

4 Drawing bar(left/right)	
Description	Drawing bar(left/right)
	DA2101F1.(*) .TCA
Remarks:(*):Nominal length:270/300/350/400/450/500/550	



Space required

NL: Nominal length
 Note: net height +3mm when installed with huggen PTO system

Cutting size

NL: Nominal length
 LW: Inner Cabinet Width

H80:Y=79-t

Runner Installation

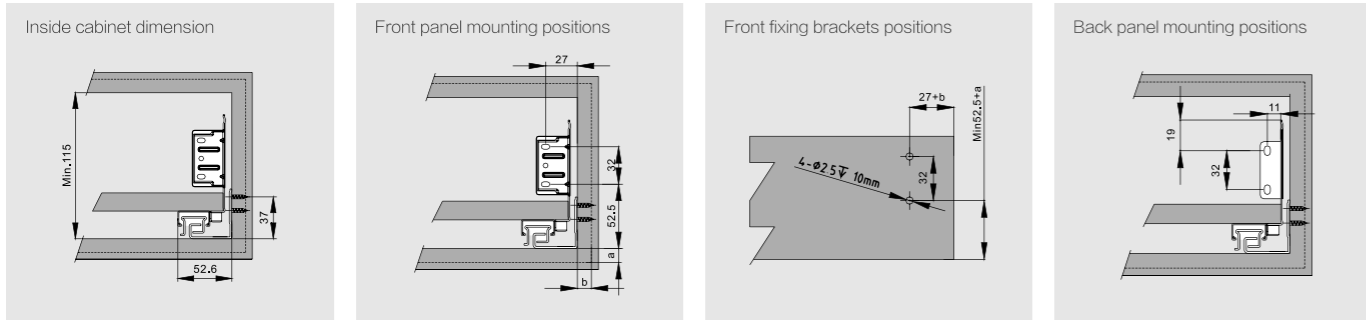
Same hole pattern for soft closing and push open

*For more detail of huggen PTO system, see page 095-098.

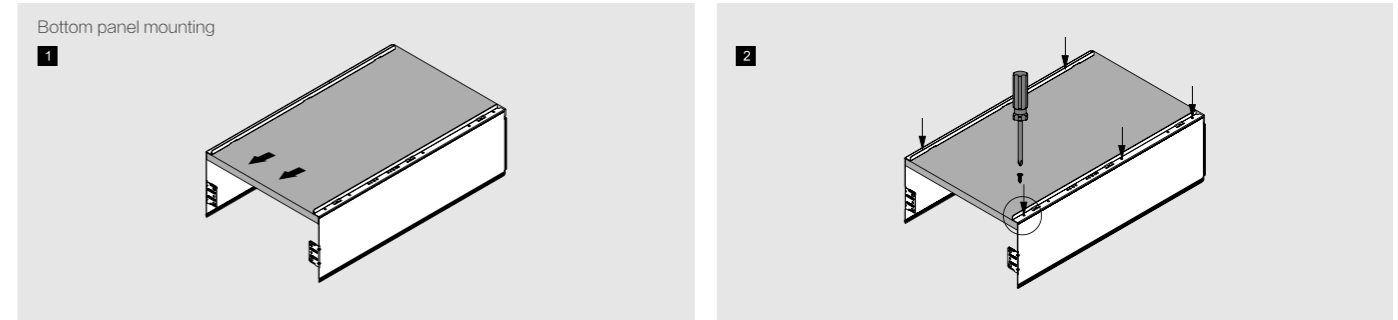
INSTALLATION INSTRUCTION

COBOX

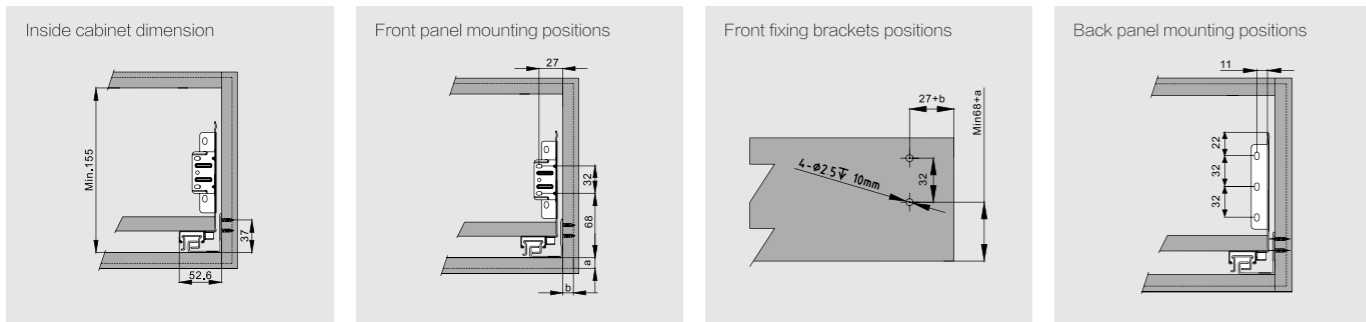
H=80mm installation instruction



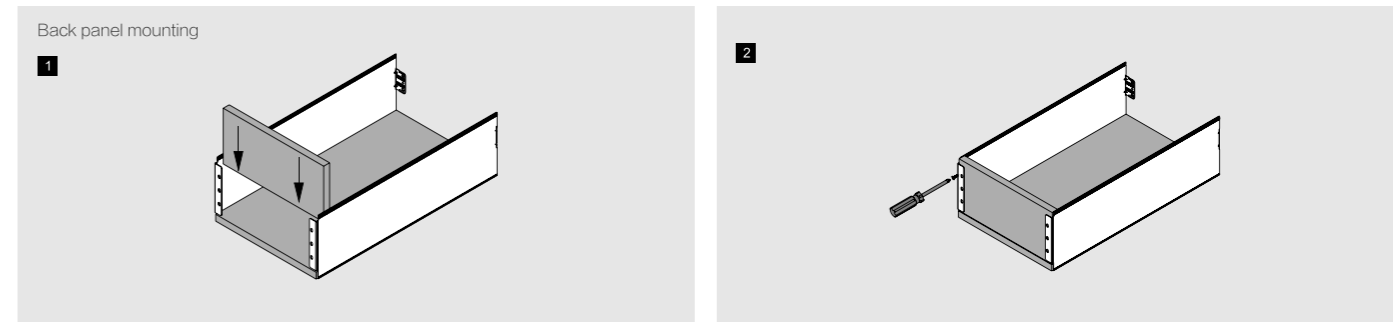
Installation instruction



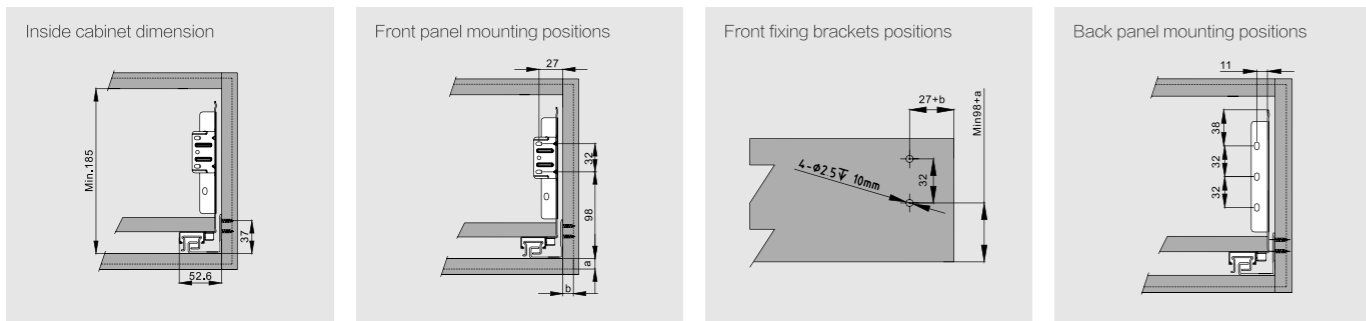
H=120mm installation instruction



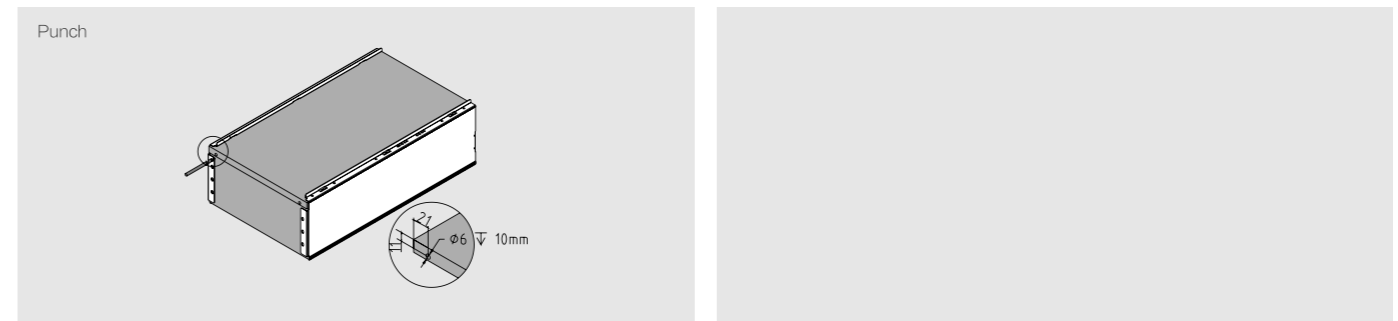
Installation instruction



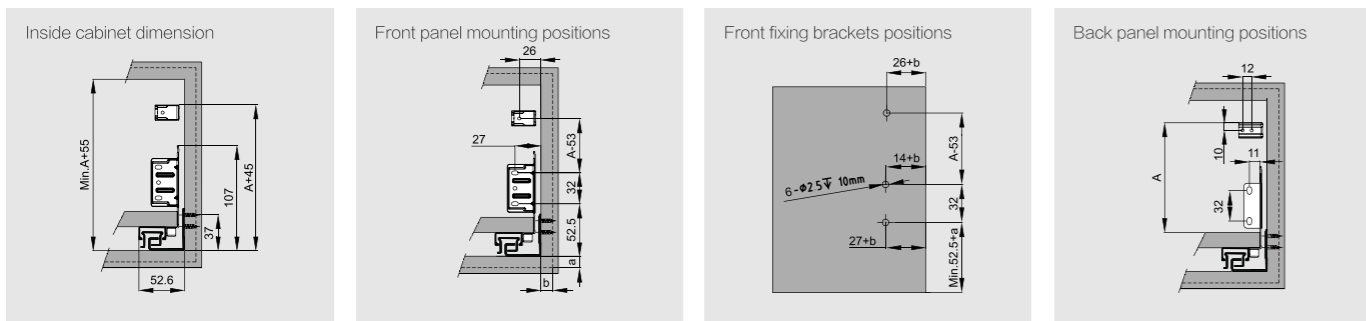
H=150mm installation instruction



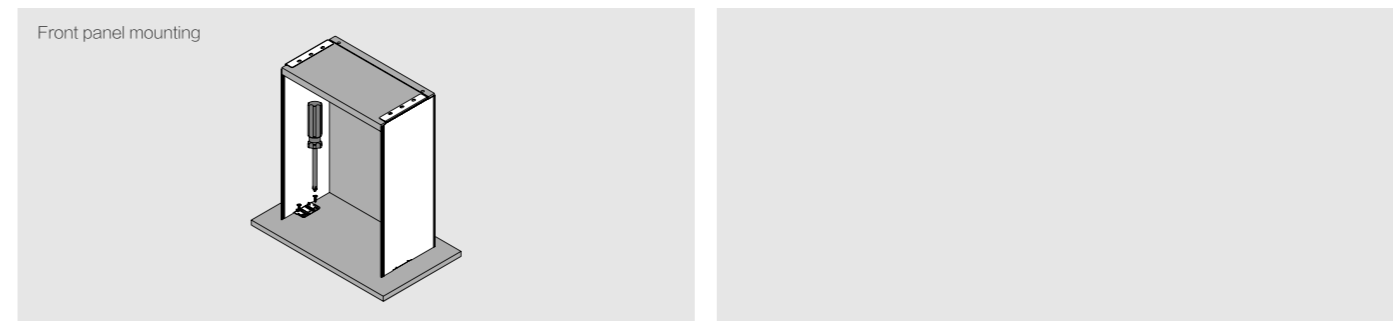
Installation instruction



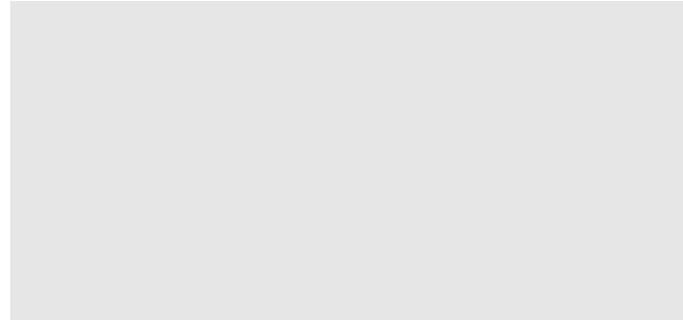
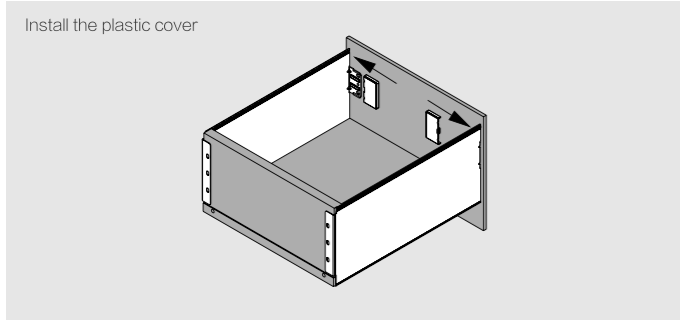
H=Any height installation instruction



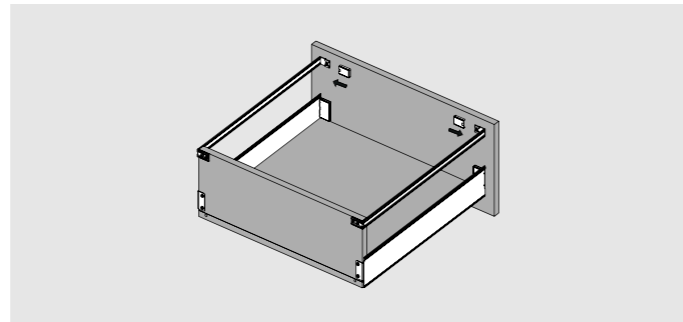
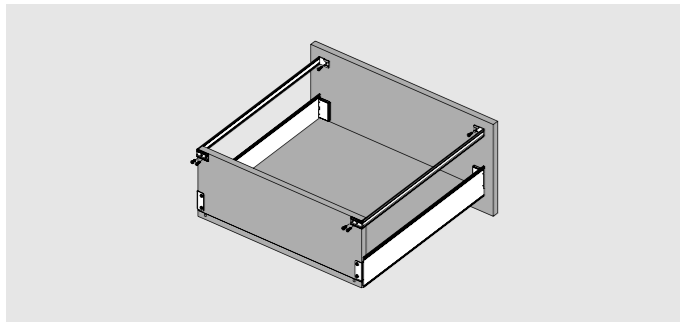
Installation instruction



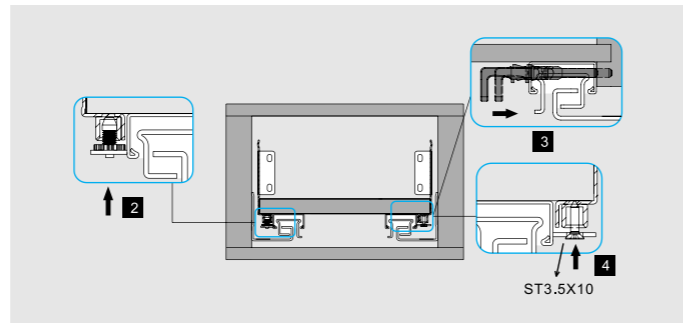
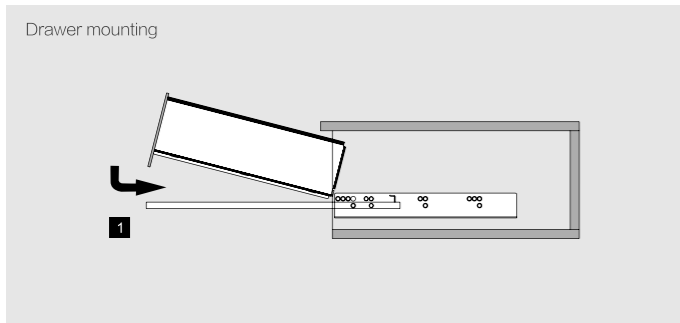
Installation instruction



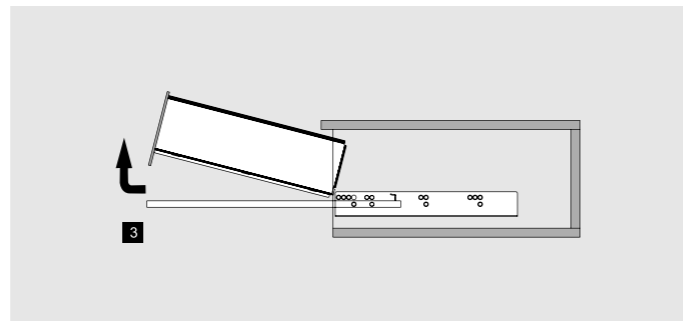
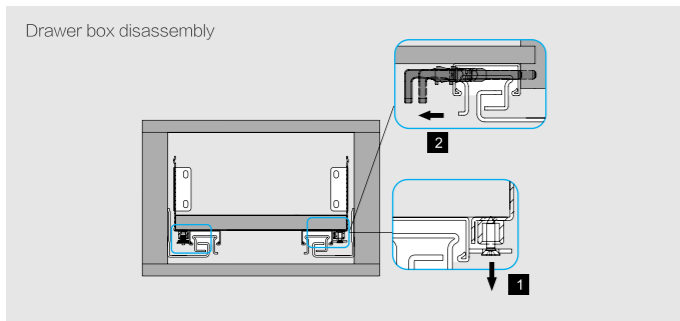
Installation instruction



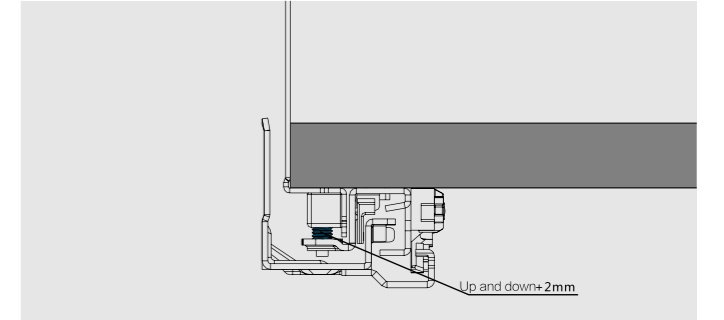
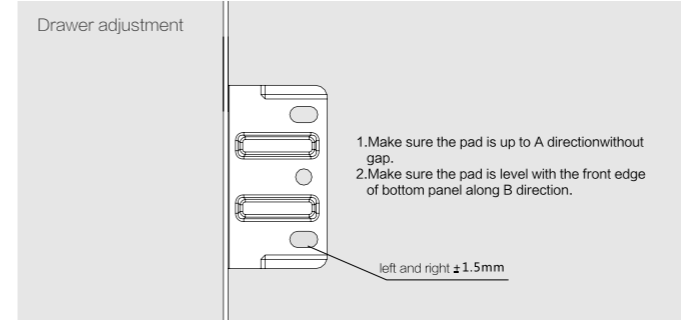
Installation instruction



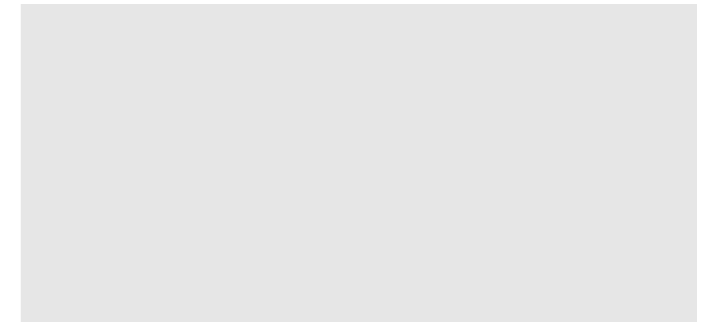
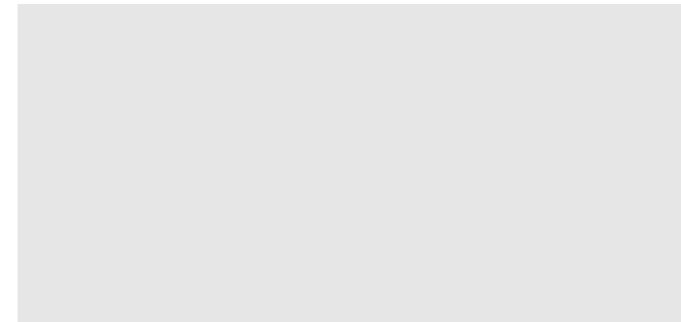
Installation instruction



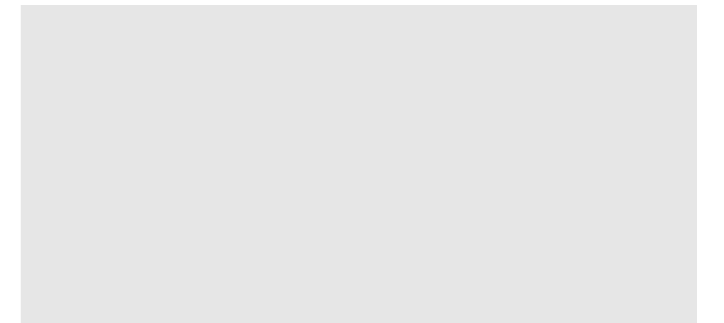
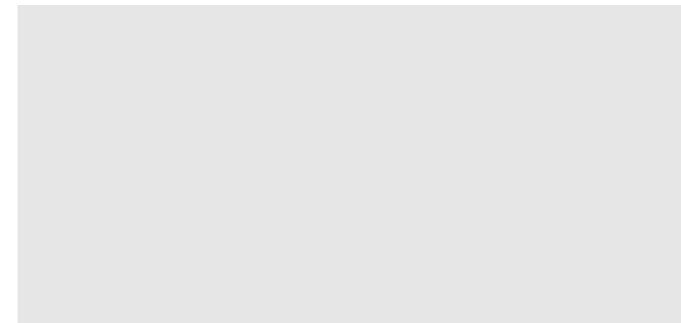
Installation instruction



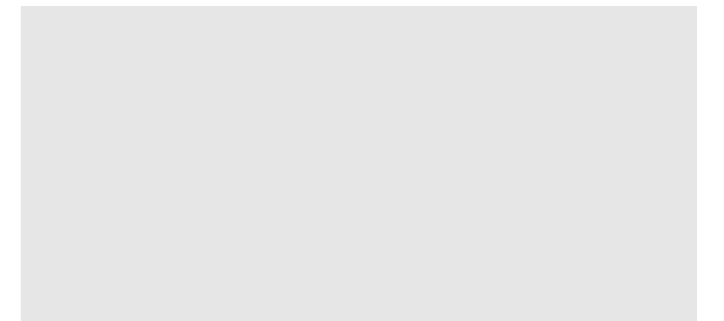
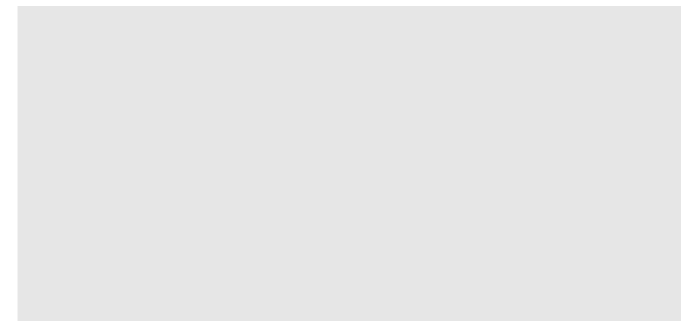
Installation instruction



Installation instruction



Installation instruction





POBOX - Promote out of classical drawer box

POBOX

POBOX

FEATURES

- Steel drawer side H=80mm
- Synchronized slide
- Epoxy coated
- Load capacity of 35KG
- Smooth rolling mechanism
- Quick assembly
- Up and down , left and right , 4 dimensional adjustment
- Mat:steel



POBOX H80



H=80mm Pobox item code

Nominal length	Front fixing bracket				The complete set basic components includes
	Dowel-Soft closing	Screw-Soft closing	Dowel-Rebound	Screw-Rebound	
270mm	DBEC6.270A.(^)	DBEC5.270A.(^)	DBREC6.270A.(^)	DBREC5.270A.(^)	1.Drawer box runner(left/right)
300mm	DBEC6.300A.(^)	DBEC5.300A.(^)	DBREC6.300A.(^)	DBREC5.300A.(^)	2.Drawer side Left/Right
350mm	DBEC6.350A.(^)	DBEC5.350A.(^)	DBREC6.350A.(^)	DBREC5.350A.(^)	3.Plastic covers 1*2pcs
400mm	DBEC6.400A.(^)	DBEC5.400A.(^)	DBREC6.400A.(^)	DBREC5.400A.(^)	4.Front fixing brackets 1*2pcs
450mm	DBEC6.450A.(^)	DBEC5.450A.(^)	DBREC6.450A.(^)	DBREC5.450A.(^)	5.back panel adapter (left/right)
500mm	DBEC6.500A.(^)	DBEC5.500A.(^)	DBREC6.500A.(^)	DBREC5.500A.(^)	
550mm	DBEC6.550A.(^)	DBEC5.550A.(^)	DBREC6.550A.(^)	DBREC5.550A.(^)	

Remarks:(^):Color: White (WT) /Silver(SV)

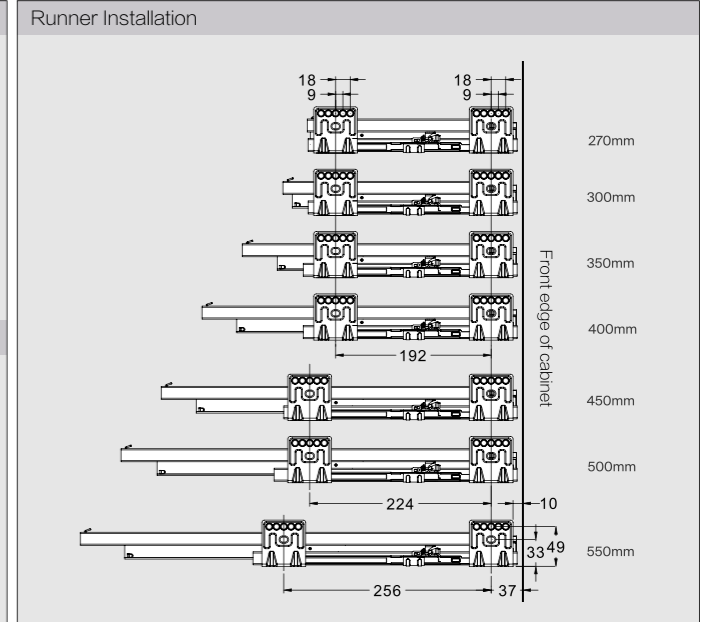
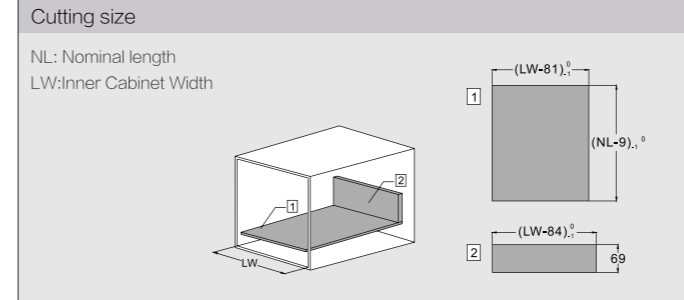
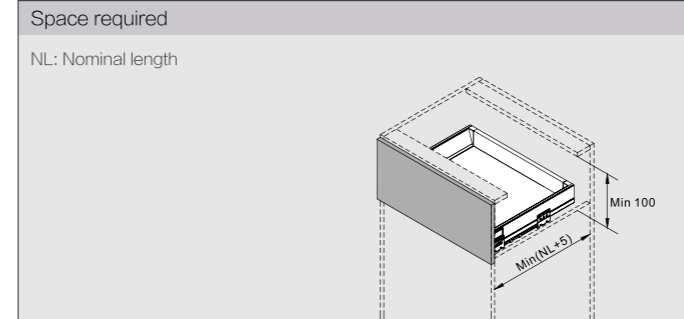
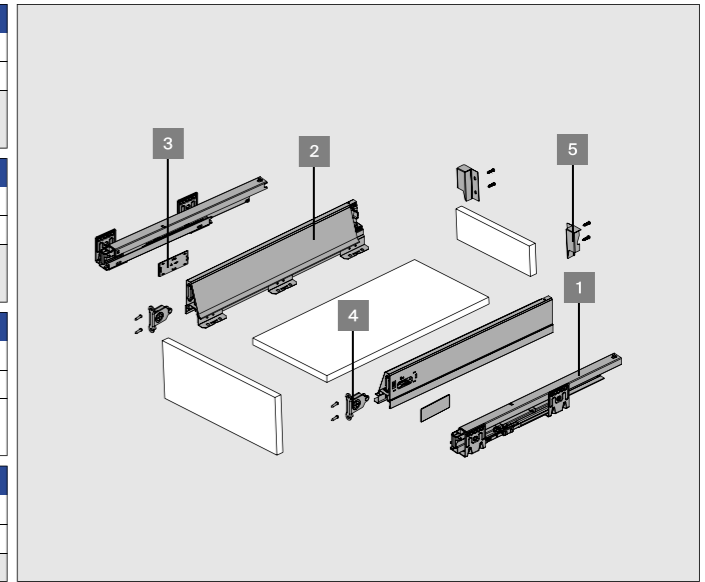
1 Drawer box runner(left/right)		
Description	Drawer box runner(left/right)	Push open drawer box runner (left/right)
	DBEC.(^)/SL.ZP	DBREC.(^)/SL.ZP
	Remarks:(^):Nominal length:270/300/350/400/450/500/550	

2 Drawer side Left/Right	
Description	Drawer side Left/Right
	DBEC.(^)/AW.(^)
	Remarks:(^):Nominal length:270/300/350/400/450/500/550 (^):Color: White (WT) /Silver(SV)

3 Plastic covers	
Description	Plastic covers
	DA1101C2.(^)
	Remarks:(^):Color: White (WT) /Silver(SV)

4 Front fixing brackets			
Description	Front fixing brackets		
Dowel	Screw	Dowel	Screw
		DA1102C6.ZP	DA1102C5.ZP

5 Back panel adapters 1*2pcs	
Description	Back panel adapters 1*2pcs
	DA1103C1.80.(^)
	Remarks:(^):Color: White (WT) /Silver(SV)



FEATURES

- Steel drawer side H=130mm
- Synchronized slide
- Epoxy coated
- Load capacity of 35KG
- Smooth rolling mechanism
- Quick assembly
- Up and down , left and right , 4 dimensional adjustment
- Mat:steel



POBOX
H130 (Drawing bar)



H=130mm Pobox item code

Nominal length	Front fixing bracket				The complete set basic components includes
	Dowel-Soft closing	Screw-Soft closing	Dowel-Rebound	Screw-Rebound	
270mm	DBEC6.270BB1.(*)	DBEC5.270BB1.(*)	DBREC6.270BB1.(*)	DBREC5.270BB1.(*)	1.Drawer box runner(left/right)
300mm	DBEC6.300BB1.(*)	DBEC5.300BB1.(*)	DBREC6.300BB1.(*)	DBREC5.300BB1.(*)	2.Drawer side Left/Right
350mm	DBEC6.350BB1.(*)	DBEC5.350BB1.(*)	DBREC6.350BB1.(*)	DBREC5.350BB1.(*)	3.Plastic covers 1*2pcs
400mm	DBEC6.400BB1.(*)	DBEC5.400BB1.(*)	DBREC6.400BB1.(*)	DBREC5.400BB1.(*)	4.Front fixing brackets 1*2pcs
450mm	DBEC6.450BB1.(*)	DBEC5.450BB1.(*)	DBREC6.450BB1.(*)	DBREC5.450BB1.(*)	5.Back panel adapters Left/Right
500mm	DBEC6.500BB1.(*)	DBEC5.500BB1.(*)	DBREC6.500BB1.(*)	DBREC5.500BB1.(*)	6.Drawing bar Left/Right
550mm	DBEC6.550BB1.(*)	DBEC5.550BB1.(*)	DBREC6.550BB1.(*)	DBREC5.550BB1.(*)	

Remarks:(*):Color: White (WT) /Silver(SV)

1 Drawer box runner(left/right)		
Description	Drawer box runner(left/right)	Push open drawer box runner (left/right)
	DBEC.(*)SL.ZP	DBREC.(*)SL.ZP
	Remarks:(*):Nominal length:270/300/350/400/450/500/550	

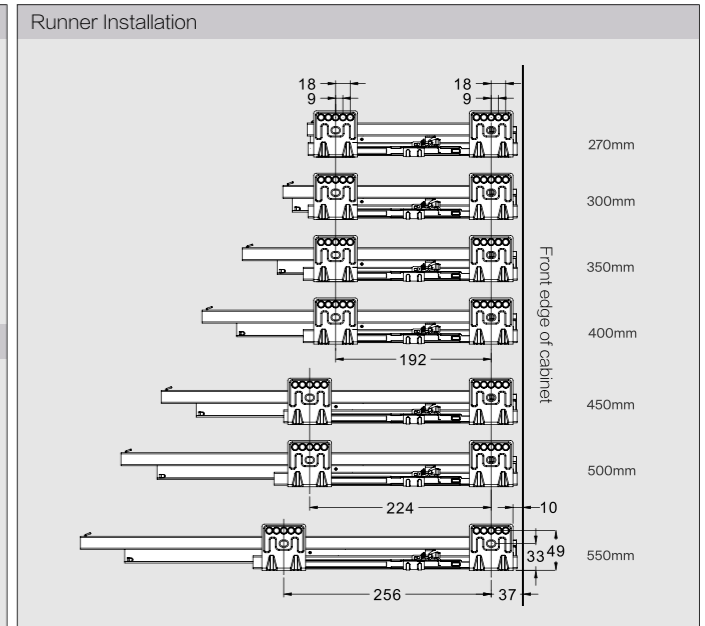
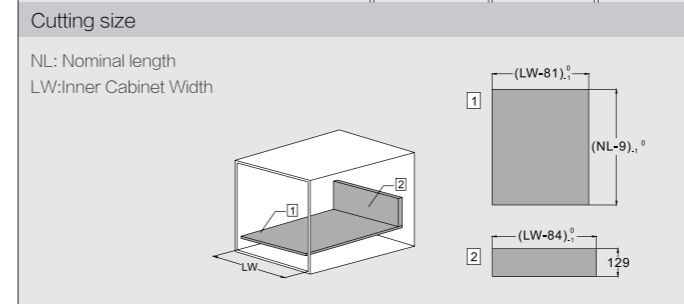
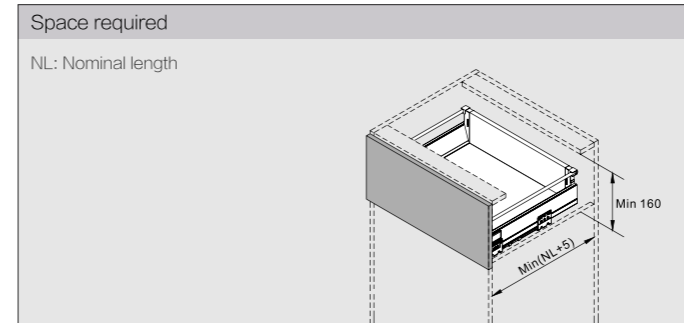
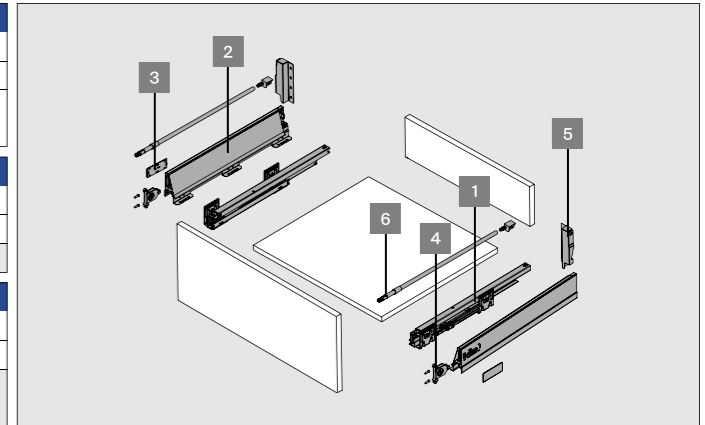
2 Drawer side Left/Right	
Description	Drawer side Left/Right
	DBEC.(*) AW.(*)
	Remarks:(*):Nominal length:270/300/350/400/450/500/550 (*)Color: White (WT) /Silver(SV)

3 Plastic covers	
Description	Plastic covers
	DA1101C2.(*)
	Remarks:(*):Color: White (WT) /Silver(SV)

4 Front fixing brackets			
Description		Front fixing brackets	
Dowel	Screw	Dowel	Screw
		DA1102C6.ZP	DA1102C5.ZP

5 Back panel adapters	
Description	Back panel adapters
	DA1103C1.130.(*)
	Remarks:(*):Color: White (WT) /Silver(SV)

6 Drawing bar Left/Right	
Description	Drawing bar Left/Right
	DA2101B1.(*) .(*)
	Remarks:(*):Nominal length:270/300/350/400/450/500/550 (*)Color: White (WT) /Silver(SV)



FEATURES

- Steel drawer side H=190mm
- Synchronized slide
- Epoxy coated
- Load capacity of 35KG
- Smooth rolling mechanism
- Quick assembly
- Up and down , left and right , 4 dimensional adjustment
- Mat:steel



POBOX
H190 (Drawing bar)



H=190mm Pobox item code

Nominal length	Front fixing bracket				The complete set basic components includes
	Dowel-Soft closing	Screw-Soft closing	Dowel-Rebound	Screw-Rebound	
270mm	DBEC6.270BC3.(^)	DBEC5.270BC3.(^)	DBREC6.270BC3.(^)	DBREC5.270BC3.(^)	1.Drawer box runner(left/right)
300mm	DBEC6.300BC3.(^)	DBEC5.300BC3.(^)	DBREC6.300BC3.(^)	DBREC5.300BC3.(^)	2.Drawer side Left/Right
350mm	DBEC6.350BC3.(^)	DBEC5.350BC3.(^)	DBREC6.350BC3.(^)	DBREC5.350BC3.(^)	3.Plastic covers 1*2pcs
400mm	DBEC6.400BC3.(^)	DBEC5.400BC3.(^)	DBREC6.400BC3.(^)	DBREC5.400BC3.(^)	4.Front fixing brackets 1*2pcs
450mm	DBEC6.450BC3.(^)	DBEC5.450BC3.(^)	DBREC6.450BC3.(^)	DBREC5.450BC3.(^)	5.Back panel adapters Left/Right
500mm	DBEC6.500BC3.(^)	DBEC5.500BC3.(^)	DBREC6.500BC3.(^)	DBREC5.500BC3.(^)	6.Drawing bar Left/Right
550mm	DBEC6.550BC3.(^)	DBEC5.550BC3.(^)	DBREC6.550BC3.(^)	DBREC5.550BC3.(^)	

Remarks:(^):Color: White (WT) /Silver(SV)

1 drawer box runner(left/right)		
Description	Drawer box runner(left/right)	Push open drawer box runner (left/right)
	DBEC.(^)*SL.ZP	DBREC.(^)*SL.ZP
	Remarks:(^):Nominal length:270/300/350/400/450/500/550	

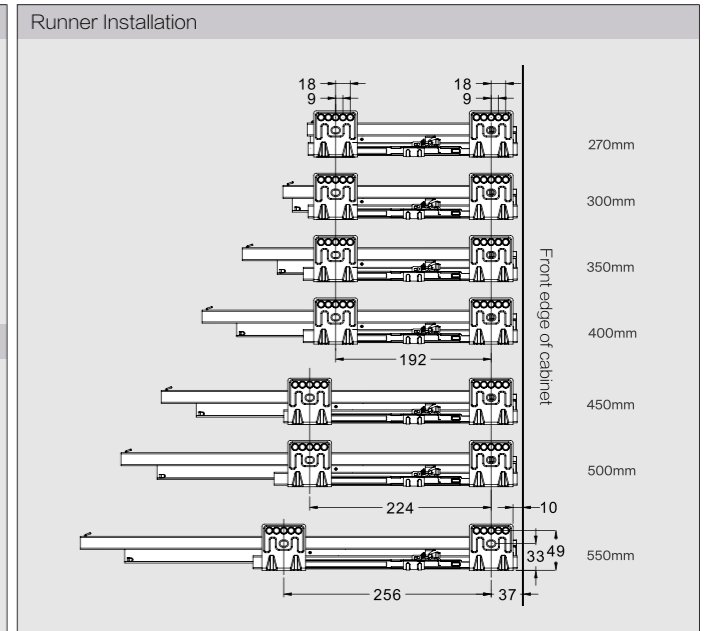
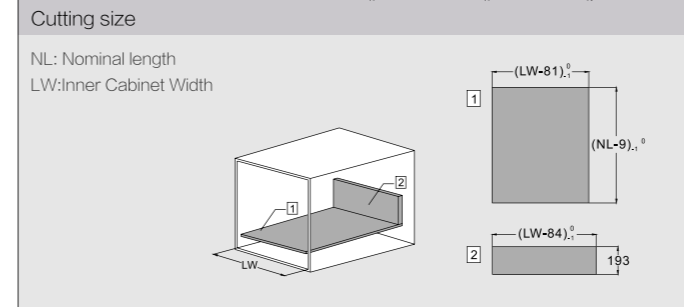
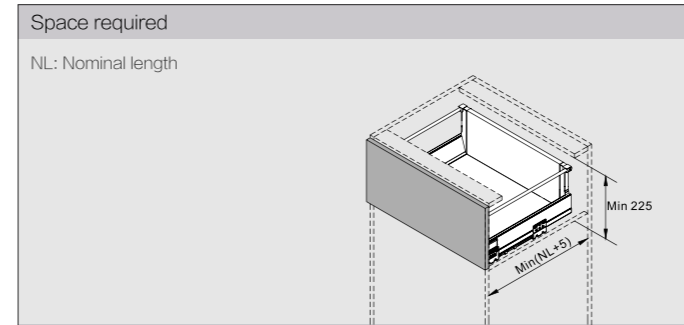
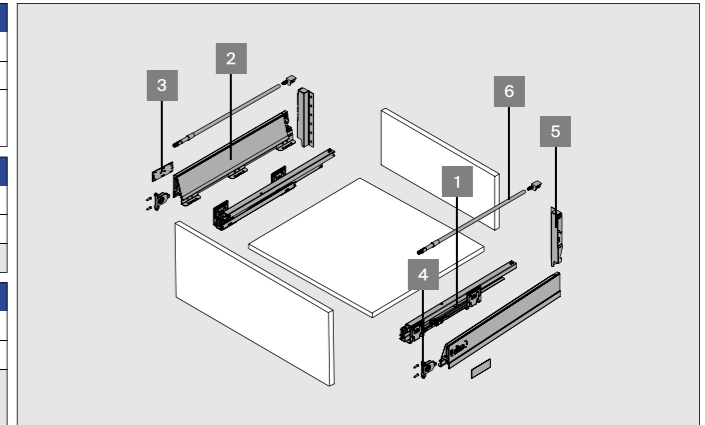
2 Drawer side Left/Right	
Description	Drawer side Left/Right
	DBEC.(^)*AW.(^)
	Remarks:(^):Nominal length:270/300/350/400/450/500/550 (^):Color: White (WT) /Silver(SV)

3 Plastic covers	
Description	Plastic covers
	DA1101C2.(^)
	Remarks:(^):Color: White (WT) /Silver(SV)

4 Front fixing brackets			
Description		Front fixing brackets	
Dowel	Screw	Dowel	Screw
		DA1102C6.ZP	DA1102C5.ZP

5 Back panel adapters	
Description	Back panel adapters
	DA1103C1.190.(^)
	Remarks:(^):Color: White (WT) /Silver(SV)

6 Drawing bar Left/Right	
Description	Drawing bar Left/Right
	DA2101B1.(^).(^)
	Remarks:(^):Nominal length:270/300/350/400/450/500/550 (^):Color: White (WT) /Silver(SV)



FEATURES

- Any height, with square railing
- Synchronized slide
- Epoxy coated
- Load capacity of 35KG
- Smooth rolling mechanism
- Quick assembly
- Up and down, left and right, 4 dimensional adjustment
- Mat: steel



POBOX
H=Any height (Drawing bar)



Nominal length	Front fixing bracket				The complete set basic components includes
	Dowel-Soft closing	Screw-Soft closing	Dowel-Rebound	Screw-Rebound	
270mm	DBEC6.270A.(^)	DBEC5.270A.(^)	DBREC6.270A.(^)	DBREC5.270A.(^)	1.Drawer box runner(left/right)
300mm	DBEC6.300A.(^)	DBEC5.300A.(^)	DBREC6.300A.(^)	DBREC5.300A.(^)	2.Drawer side Left/Right
350mm	DBEC6.350A.(^)	DBEC5.350A.(^)	DBREC6.350A.(^)	DBREC5.350A.(^)	3.Plastic covers 1*2pcs
400mm	DBEC6.400A.(^)	DBEC5.400A.(^)	DBREC6.400A.(^)	DBREC5.400A.(^)	4.Front fixing brackets 1*2pcs
450mm	DBEC6.450A.(^)	DBEC5.450A.(^)	DBREC6.450A.(^)	DBREC5.450A.(^)	5.Back panel adapters Left/Right
500mm	DBEC6.500A.(^)	DBEC5.500A.(^)	DBREC6.500A.(^)	DBREC5.500A.(^)	6.Drawing bar Left/Right
550mm	DBEC6.550A.(^)	DBEC5.550A.(^)	DBREC6.550A.(^)	DBREC5.550A.(^)	

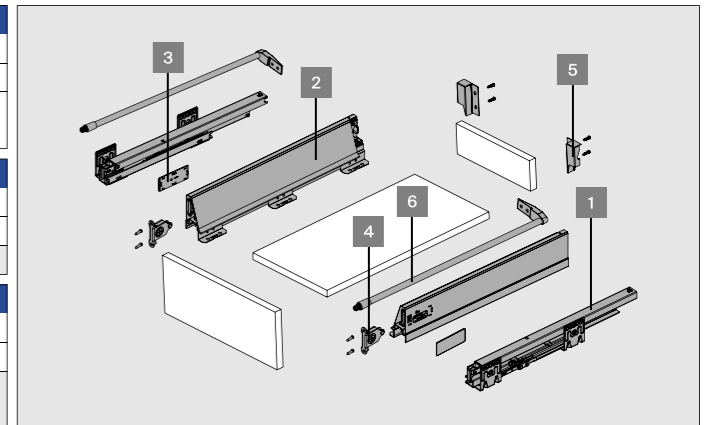
Remarks:(^):Color: White (WT) /Silver(SV)

1 drawer box runner(left/right)		
Description	Drawer box runner(left/right)	Push open drawer box runner (left/right)
	DBEC.(^)*SL.ZP	DBREC.(^)*SL.ZP
	Remarks:(^):Nominal length:270/300/350/400/450/500/550	

2 Drawer side Left/Right	
Description	Drawer side Left/Right
	DBEC.(^)*AW.(^)
	Remarks:(^):Nominal length:270/300/350/400/450/500/550 (^):Color: White (WT) /Silver(SV)

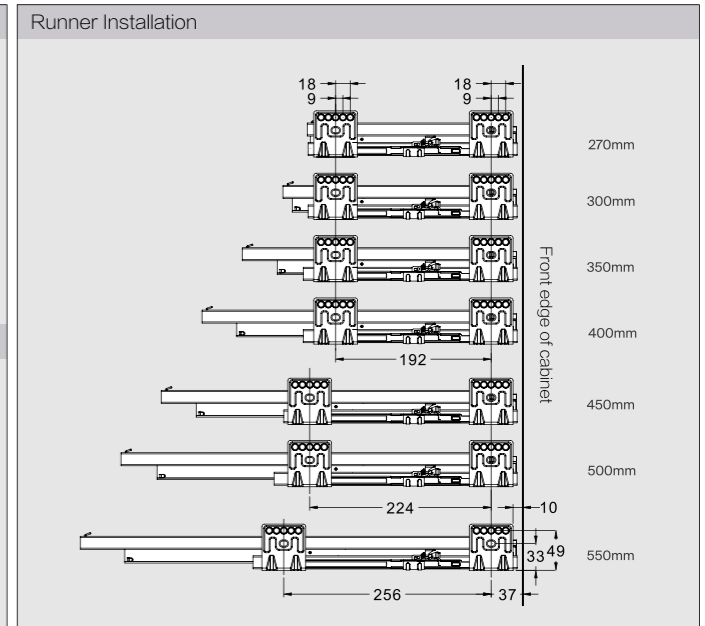
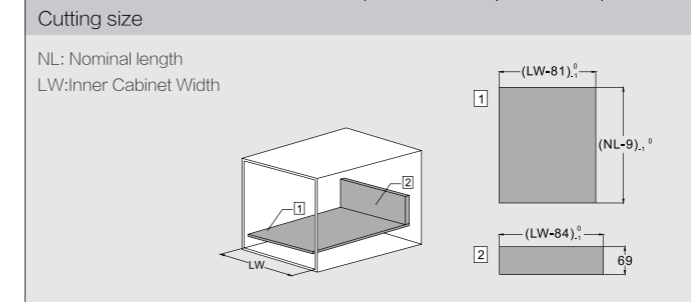
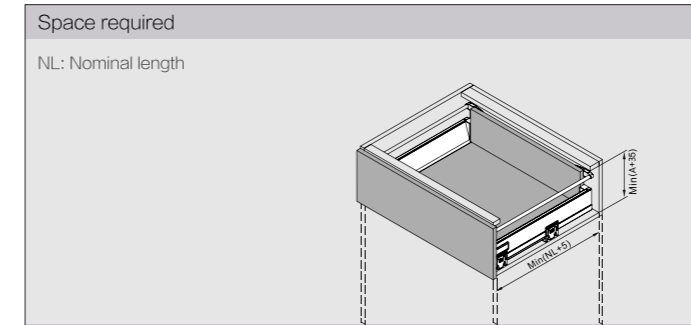
3 Plastic covers	
Description	Plastic covers
	DA1101C2.(^)
	Remarks:(^):Color: White (WT) /Silver(SV)

4 Front fixing brackets			
Description		Front fixing brackets	
Dowel	Screw	Dowel	Screw
		DA1102C6.ZP	DA1102C5.ZP

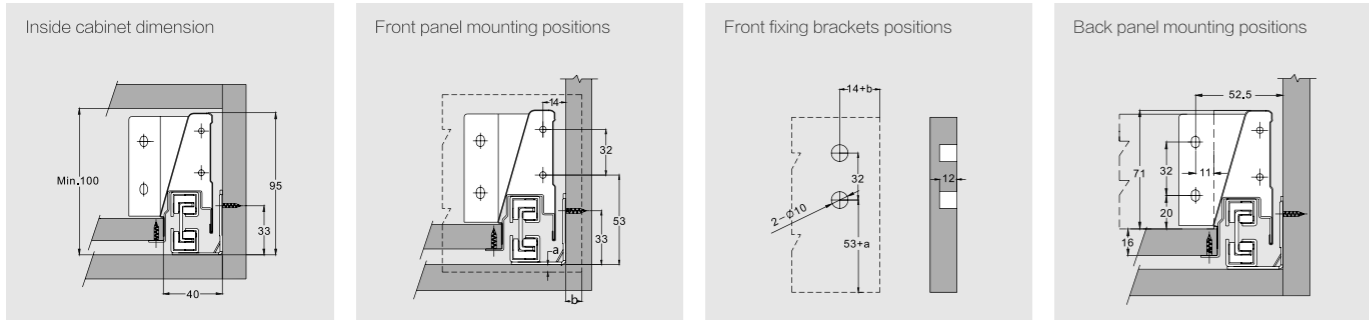


5 Back panel adapters 1*2pcs	
Description	Back panel adapters 1*2pcs
	DA1103C1.80.(^)
	Remarks:(^):Color: White (WT) /Silver(SV)

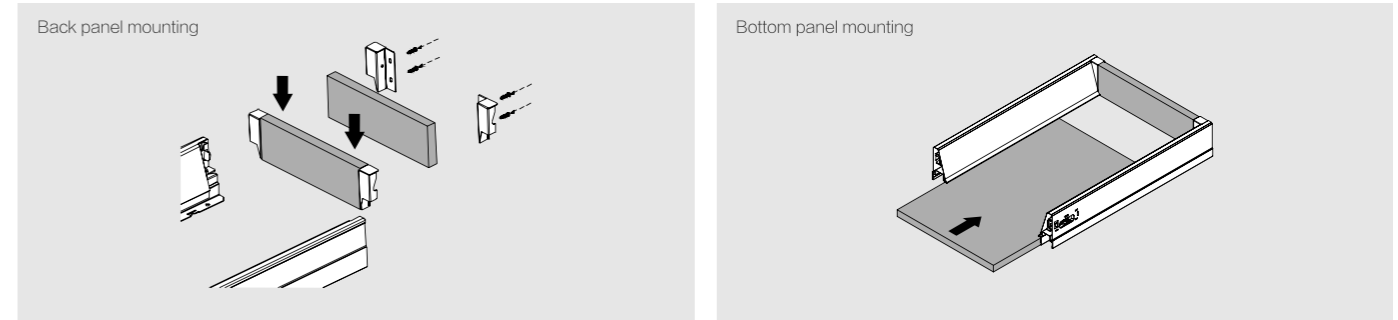
6 Drawing bar Left/Right	
Description	Drawing bar Left/Right
	DA2101B11.80.(^).(^)
	Remarks:(^):Nominal length:270/300/350/400/450/500/550 (^):Color: White (WT) /Silver(SV)



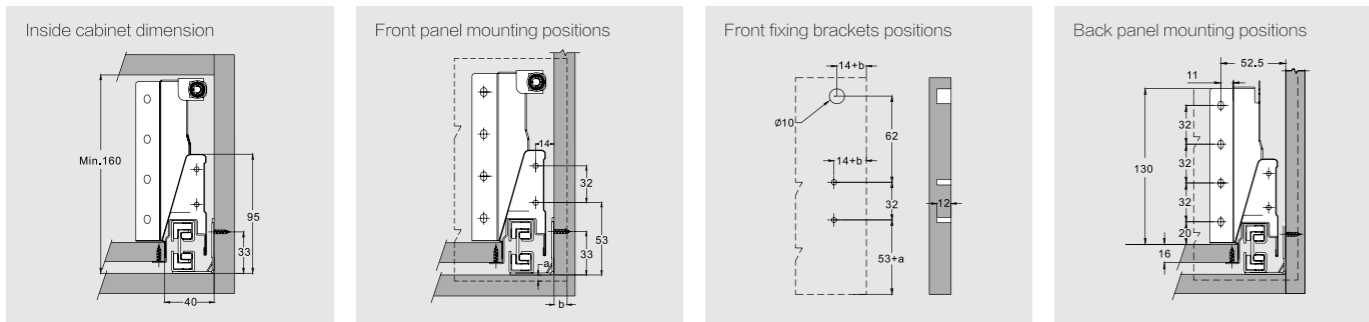
H=80mm installation instruction (Front panel assembling hole distance 32mm)



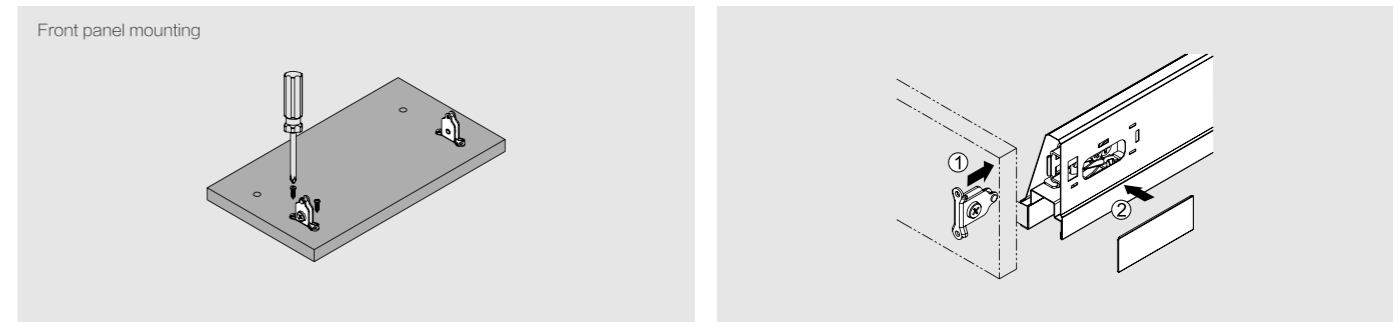
Installation instruction



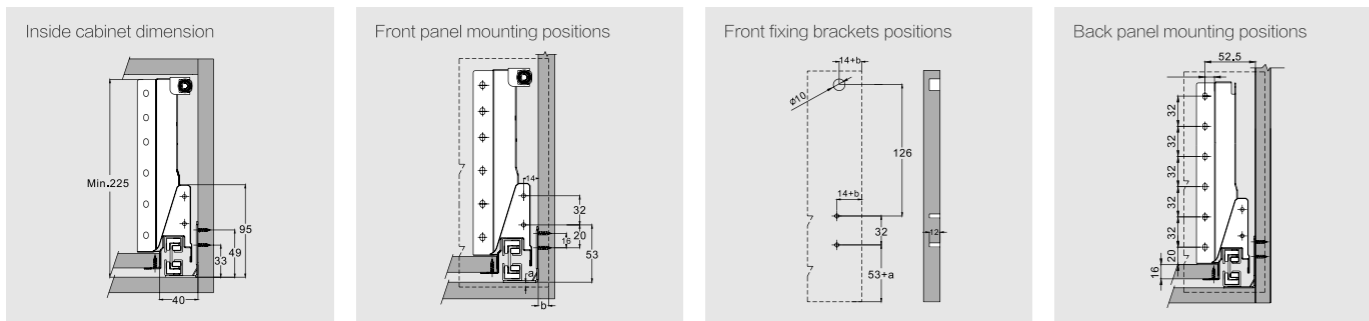
H=130mm installation instruction with drawing bars (Front panel assembling hole distance 32mm)



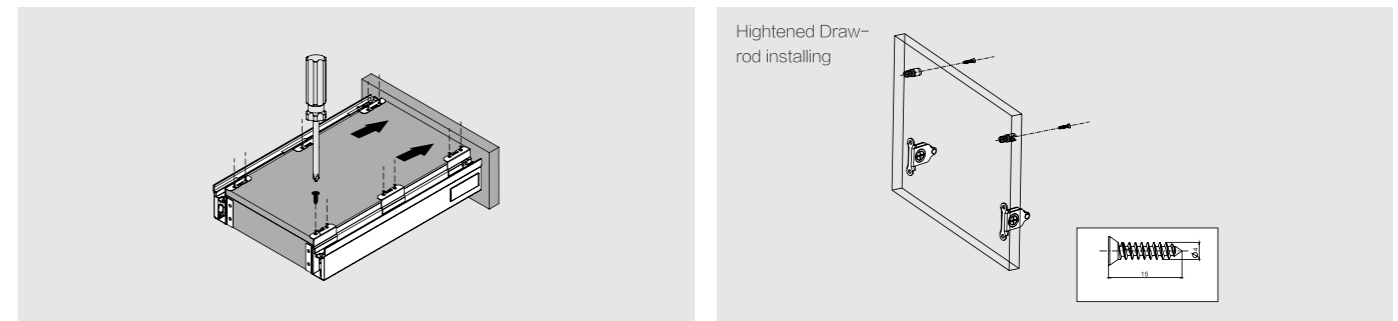
Installation instruction



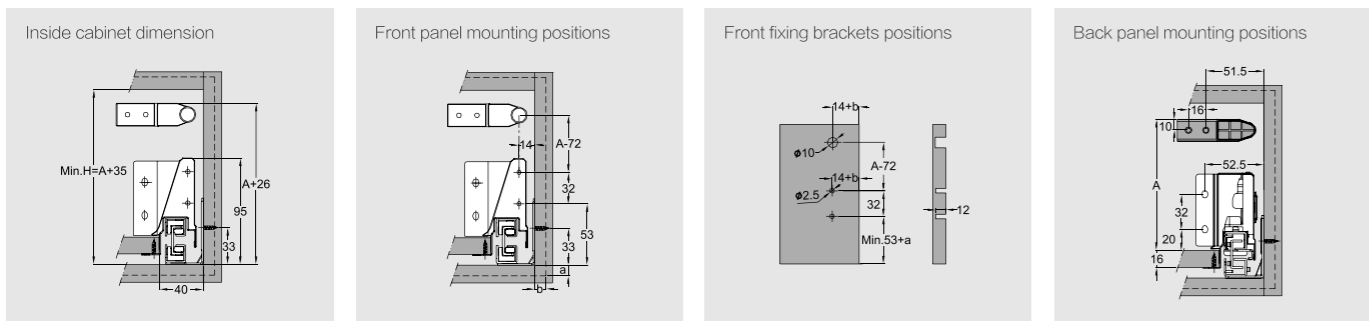
H=190mm installation instruction with drawing bars (Front panel assembling hole distance 32mm)



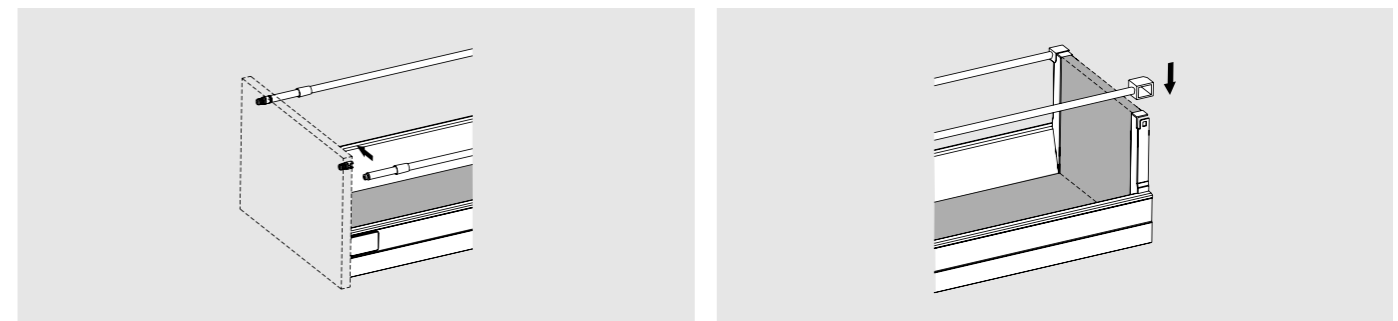
Installation instruction



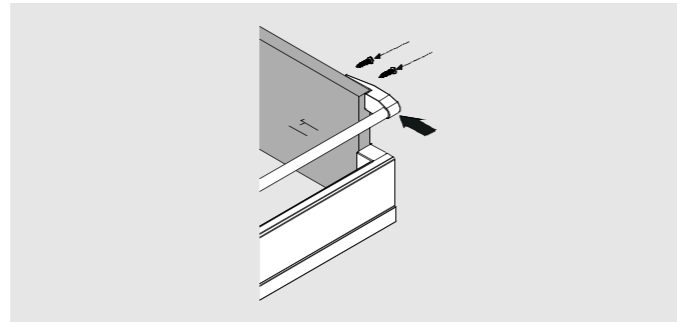
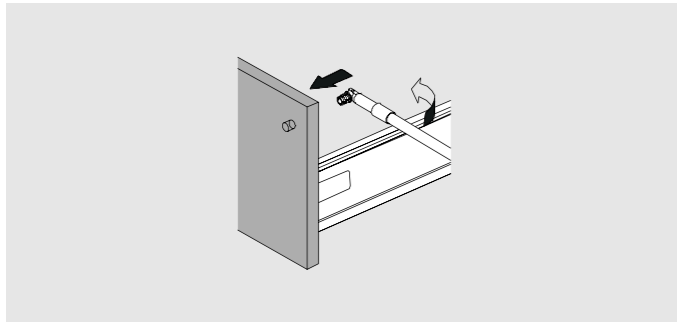
H=Any height installation instruction with drawing bars (Front panel assembling hole distance 32mm)



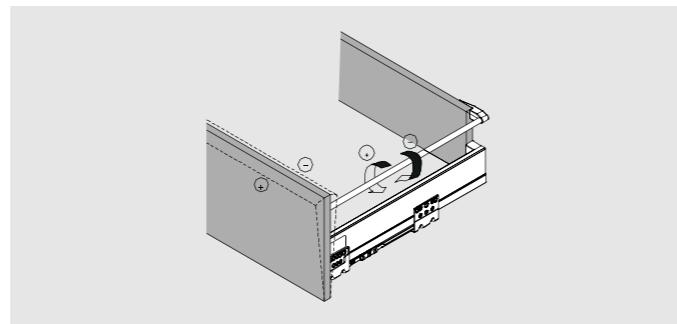
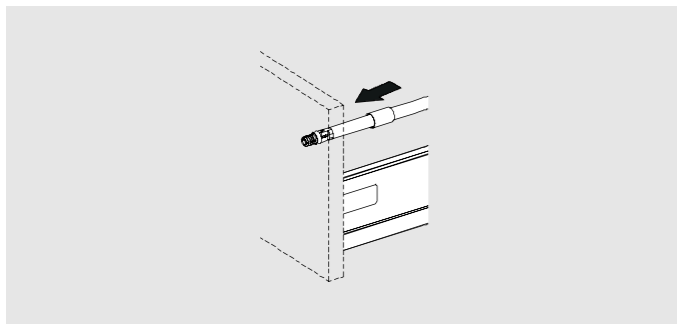
Installation instruction



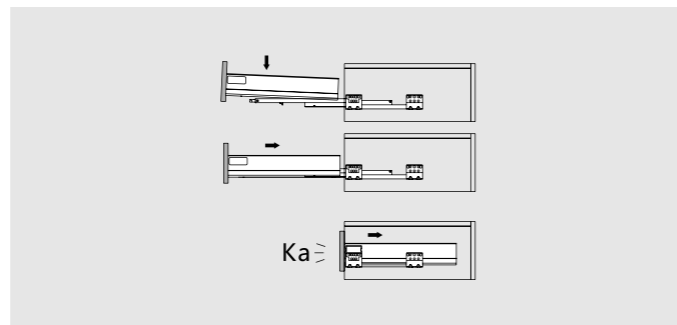
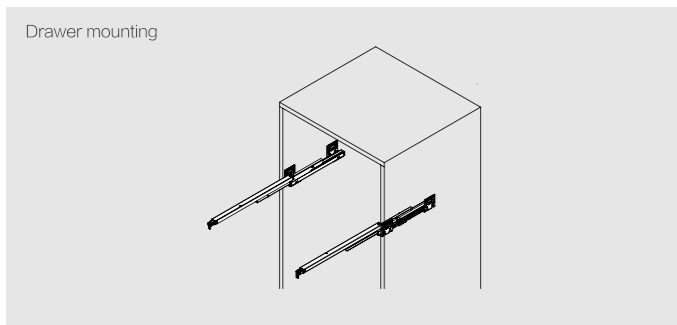
Installation instruction



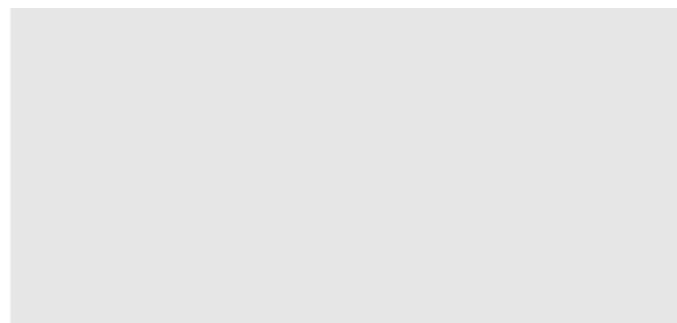
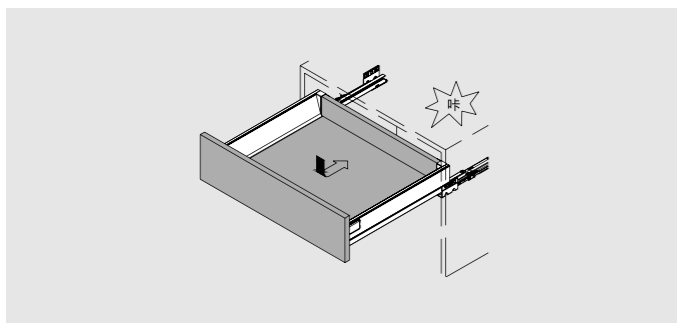
Installation instruction



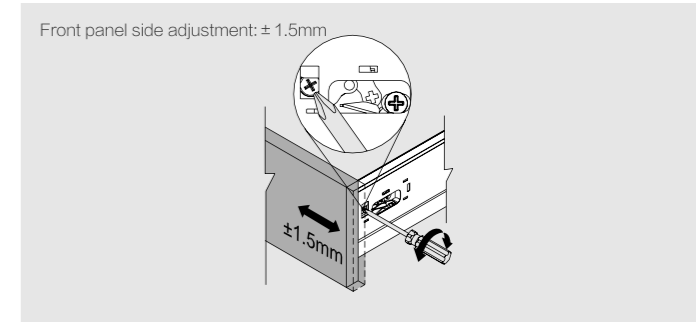
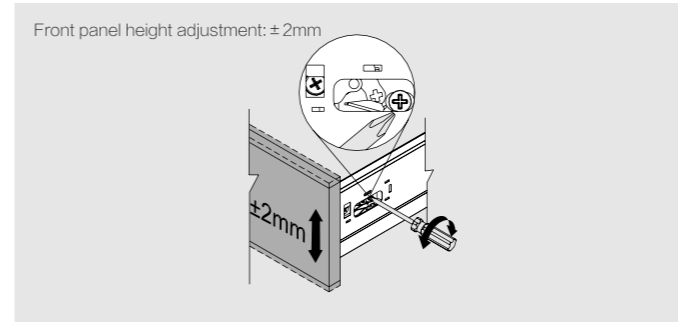
Installation instruction



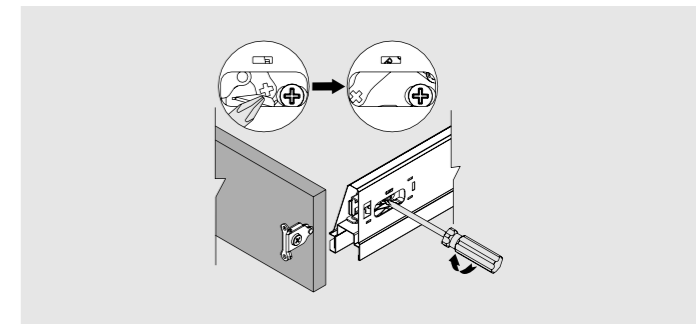
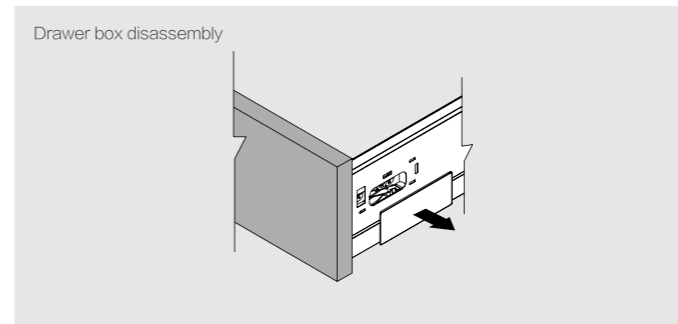
Installation instruction



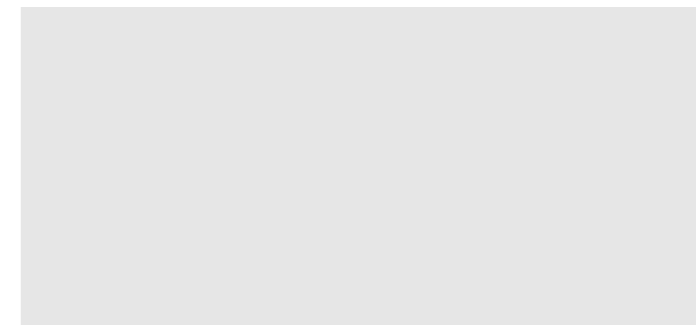
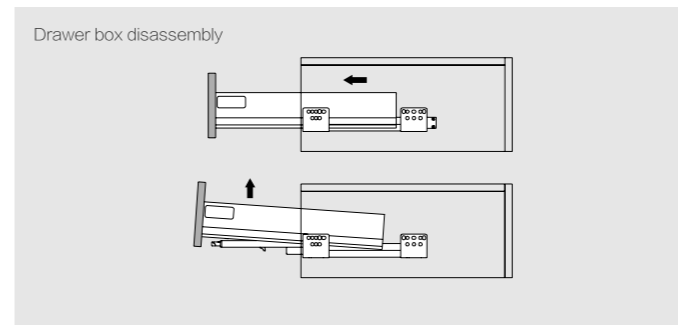
Installation instruction



Installation instruction



Installation instruction



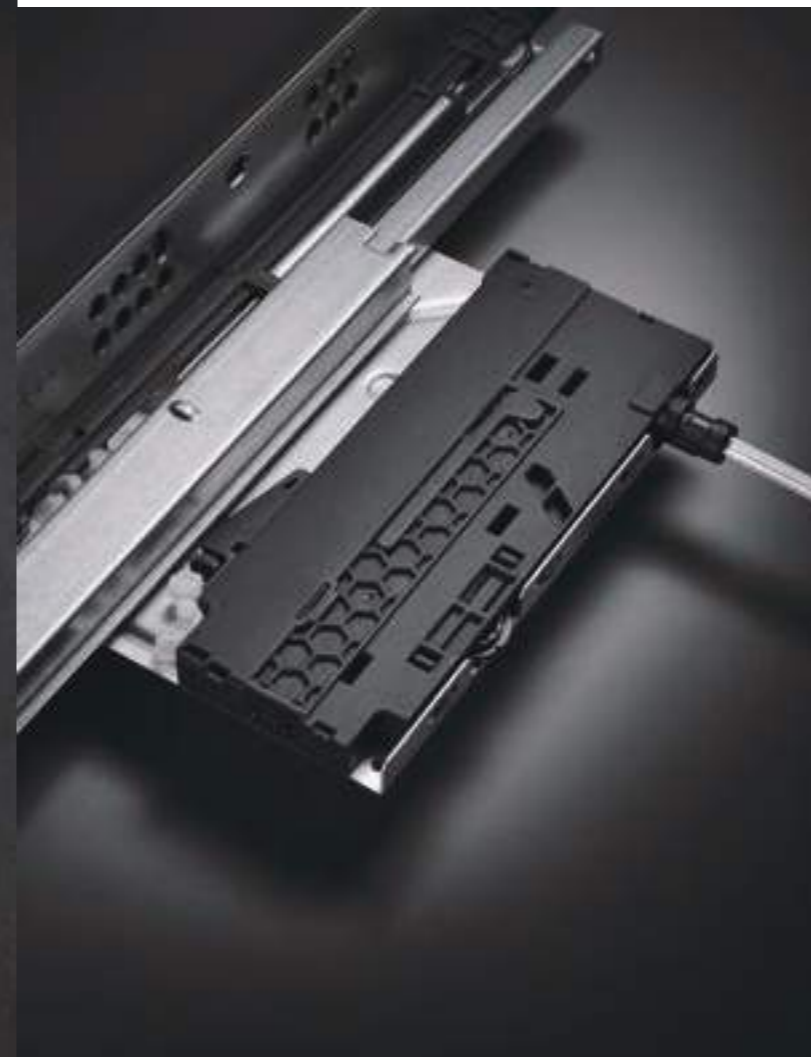
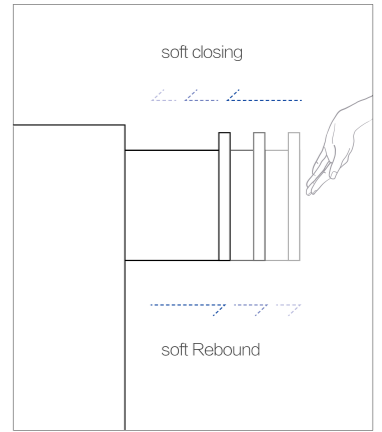
HUGGEN SYSTEM

50000
50000 LIFE CYCLES



Huggen System - Push to open and soft closing in one step

Push to open with soft closing system, touch anywhere of front panel, the drawer can be pulled out softly, which meet the design of handle free or inner drawer used.

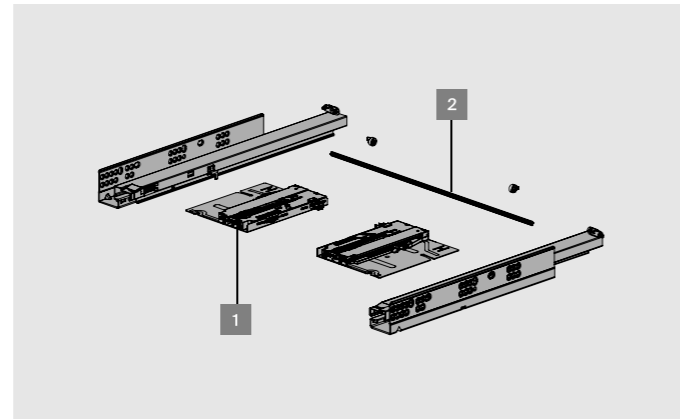


HUGGEN SYSTEM

Suitable for LED Glass magic box*, Glass magic box*, Magic box*, Regic box*, Cobox*, Full extension concealed slide*



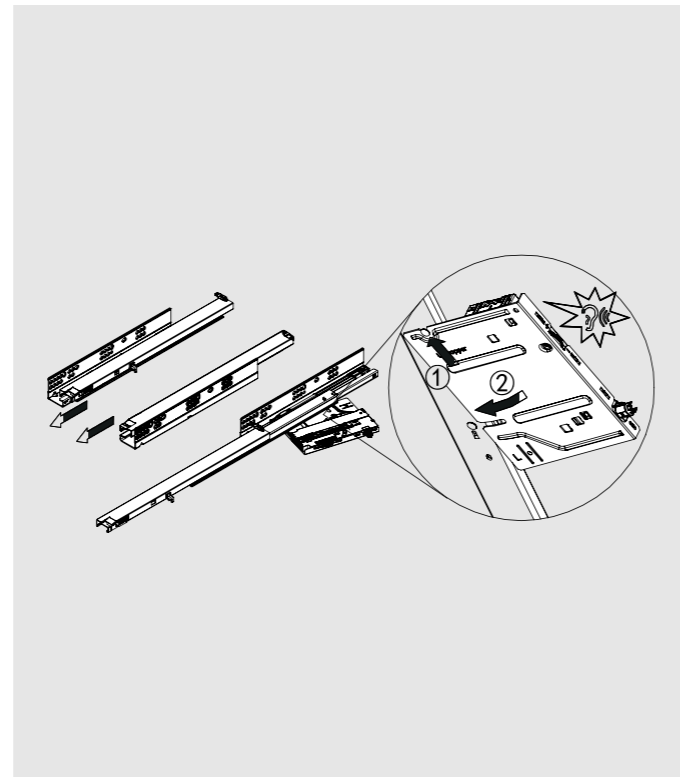
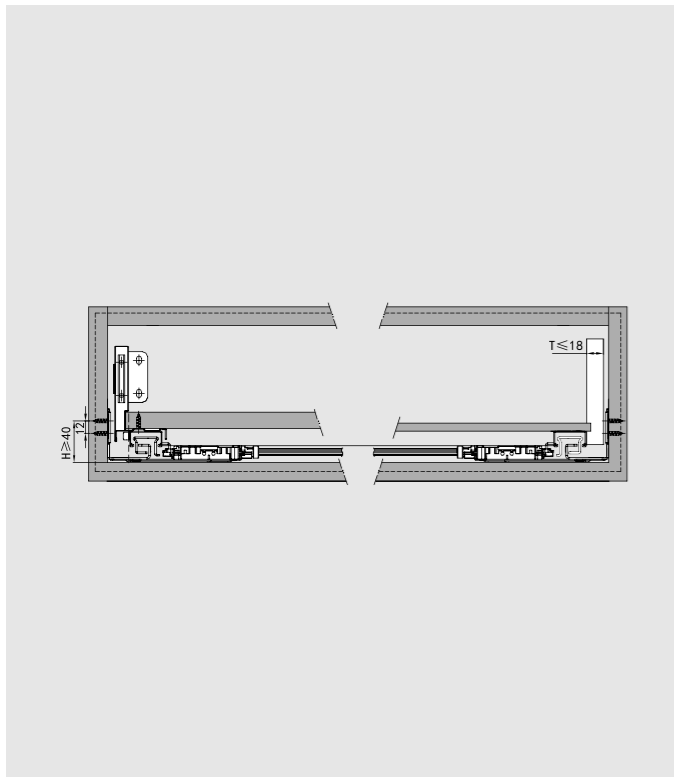
Huggen system	
Item code	The complete set basic components includes
	1.Rebound system 1X2
DBPE.PB.BAR	2.Sync-bar



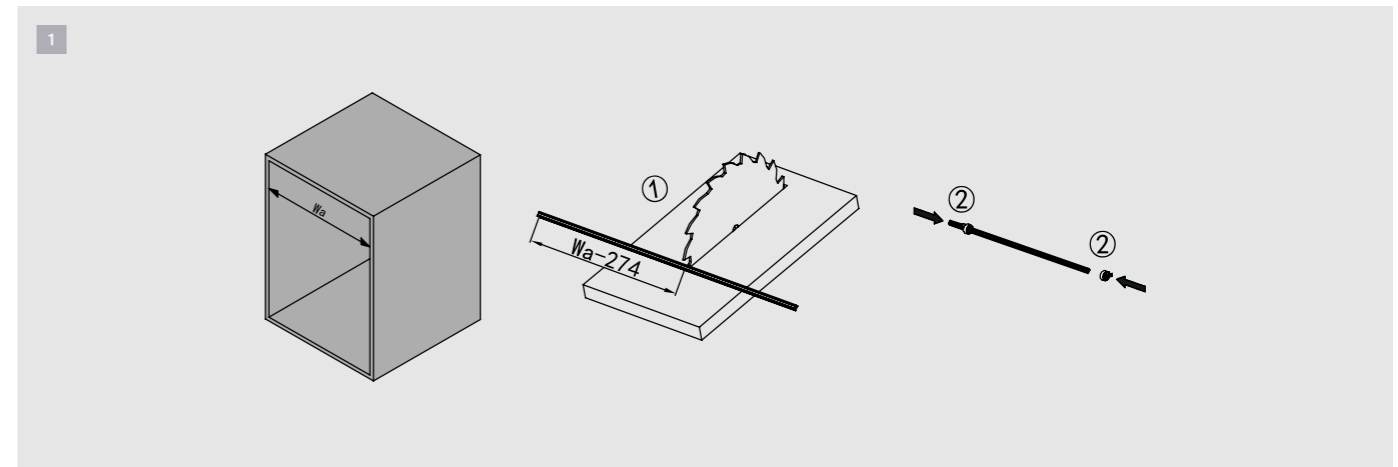
1	Rebound system(Left/Right)
Description	Rebound system(Left/Right)
	DBPE.PB

2	Sync-bar
Description	Sync-bar
	DBPE.BAR

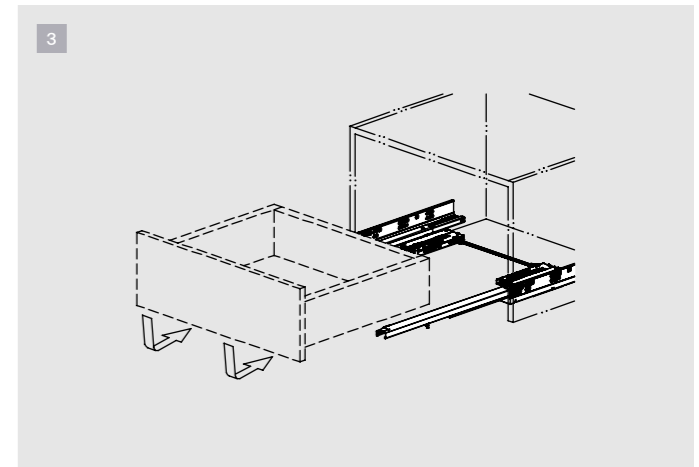
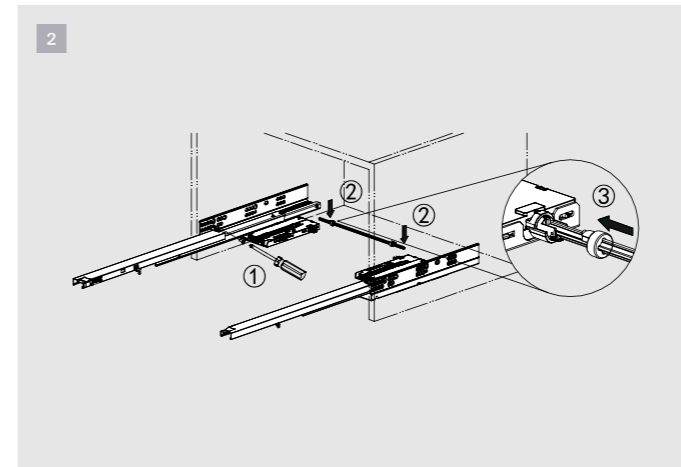
Installation instruction



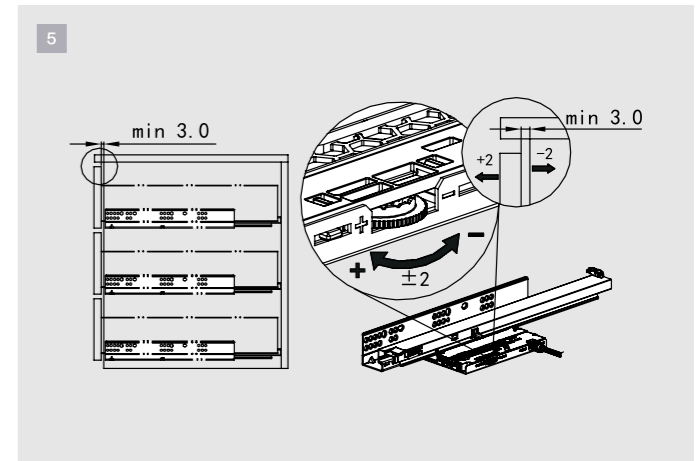
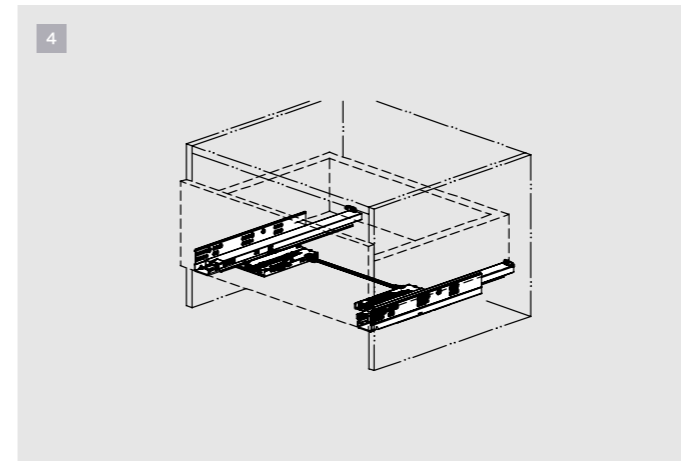
Installation instruction



Installation instruction



Installation instruction



*LED glass magic box, see page 019-028. *Glass magic box, see page 029-038. *Magic box, see page 039-052. *Regic box, see page 053-066. *Cobox, see page 067-080. *Full extension concealed slide, see page 137-138, 145-146

H80/H120

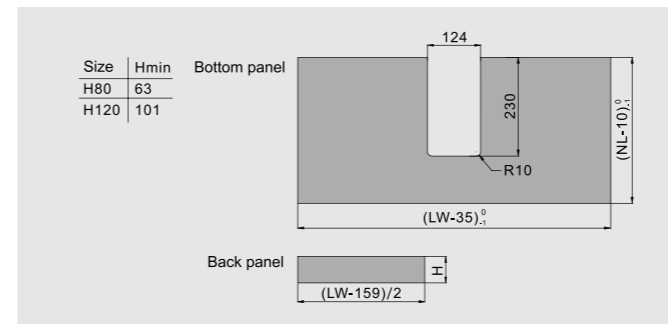
Suitable for LED Magic box, Magic box, Regic box, Cobox



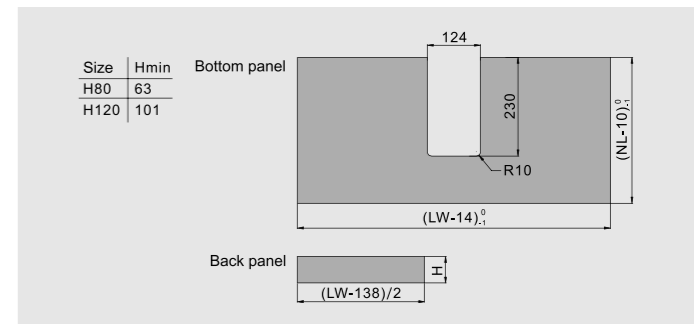
UNDERSINK OF DRAWER BOX – PLASTIC	
Item code	The complete set basic components includes
	1.U shape undersink
H=80mm	
DA5102E3.A.DG	
H=120mm	
DA5102E3.B.DG	

Remark:H80mm Minimum installation height: 115mm
H120 Minimum installation height: 155mm

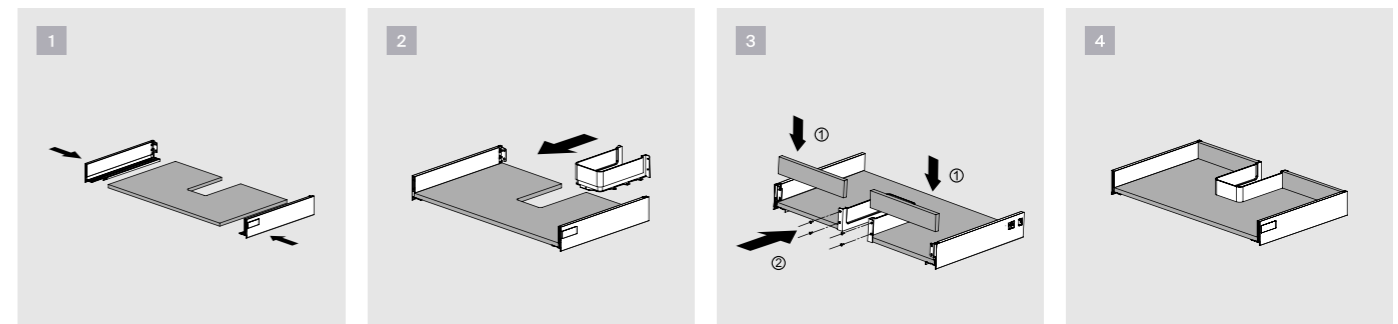
Magic box, Regic box 16mm board cutting size



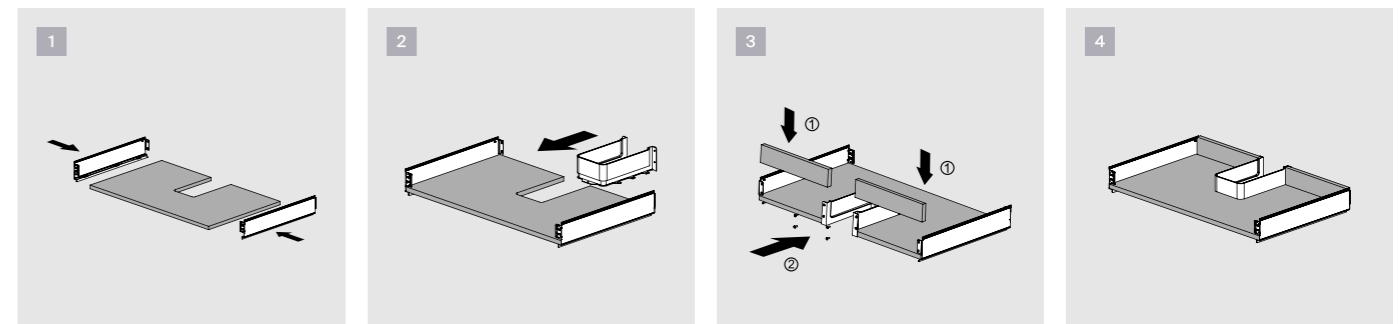
Cobox 16mm board cutting size



Magic box, Regic box sink installation instruction



Cobox sink installation instruction



H80

Suitable for Magic box, Regic box

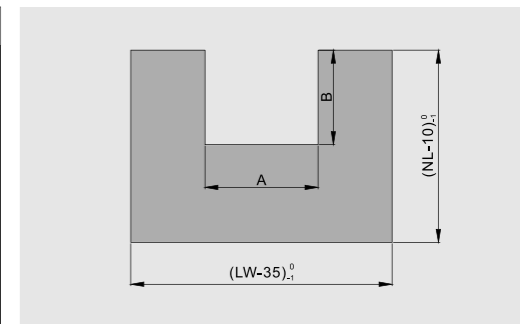


UNDERSINK OF DRAWER BOX - STEEL		
Nominal length	Item code	The complete set basic components includes
		1. Steel panel undersink
350	DA5102E1.(*) A3.(*)	
400	DA5102E1.(*) A4.(*)	
450	DA5102E1.(*) A5.(*)	
500	DA5102E1.(*) A6.(*)	
550	DA5102E1.(*) A7.(*)	

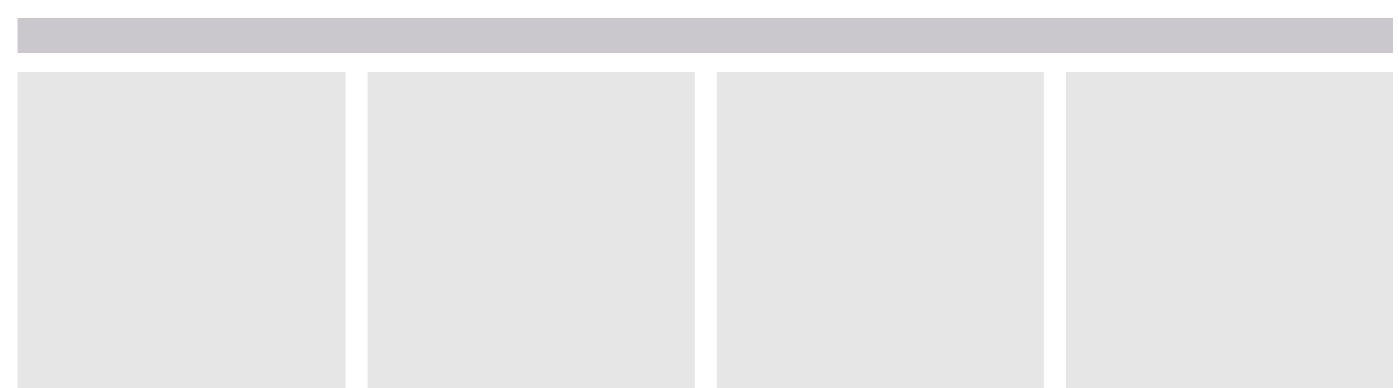
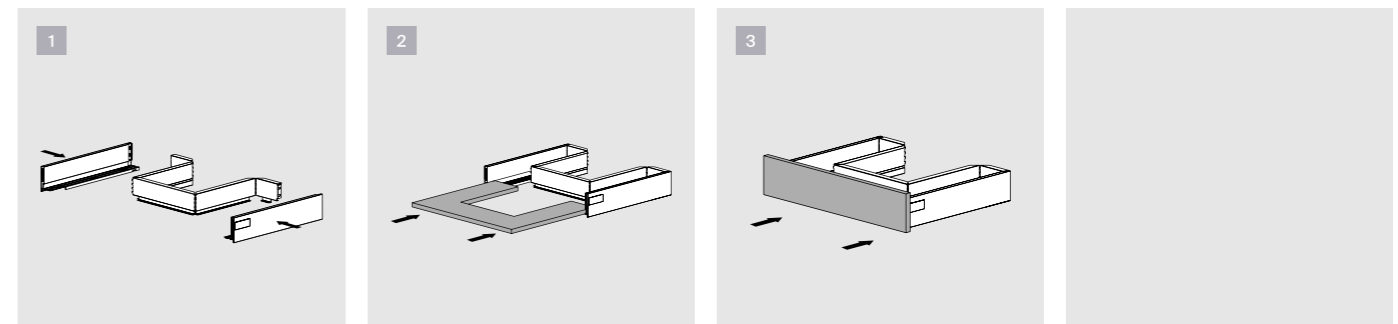
Remarks:(*)Cabinet width: 060/080/090/100/120
 (°):Color: White (WT) /Dark grey(DG)
 Minimum installation height: 115mm

16mm board cutting size

Side panel:18mm										
Nominal length \ Cabinet width	600mm		800mm		900mm		1000mm		1200mm	
	A	B	A	B	A	B	A	B	A	B
350mm	247mm	273mm	247mm	273mm			447mm	273mm	647mm	273mm
400mm	277mm	253mm	477mm	253mm	577mm	253mm	577mm	253mm	777mm	253mm
450mm	277mm	303mm	477mm	303mm	577mm	303mm	577mm	303mm	777mm	303mm
500mm	277mm	353mm	477mm	353mm	577mm	353mm	577mm	353mm	777mm	353mm
550mm	277mm	403mm	477mm	403mm	577mm	403mm	577mm	403mm	777mm	403mm



Installation instruction



INNER DRAWER BOX SYSTEM



INNER MAGIC BOX - Elegant and fashionable design brings you a better experience of home space.

INNER MAGIC BOX



INNER DRAWER BOX

H80 Inner aluminium panel

Suitable for LED Glass Magic box、Glass Magic box、
Magic box、Regic box



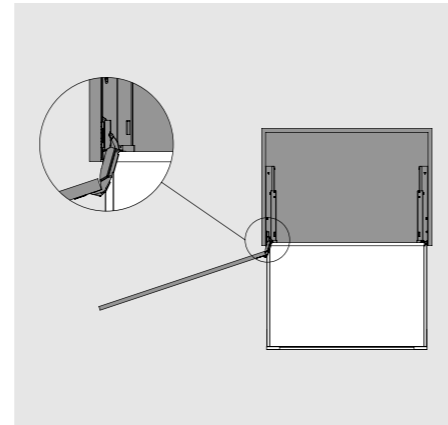
Product



Features

H80mm,aluminum panel
Used with large angle hinge (≥165°)
16/18mm cabinet side panels for option
Suitable for LED glass magic box , magic box, regic box

Application



H=80mm inner drawer components	
Item code	The complete set basic components includes
DA6104ES.040A.(*)	1.Plastic bracket Left/Rjght
DA6104ES.045A.(*)	2.Inner front cover Left/Right
DA6104ES.050A.(*)	3.Aluminium front panel
DA6104ES.055A.(*)	
DA6104ES.060A.(*)	
DA6104ES.080A.(*)	
DA6104ES.090A.(*)	
DA6104ES.100A.(*)	
DA6104ES.120A.(*)	

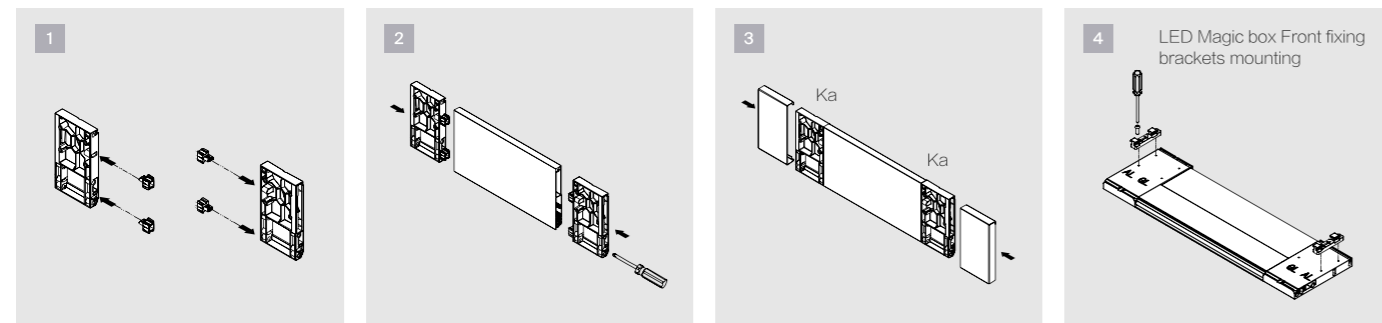
Remarks:(*):Color: Matt white (MW) / Dark grey(DG)

1 Plastic bracket Left/Rjght	
Description	Plastic bracket Left/Rjght
	DA6101E4.80.(*)
	Remarks:(*):Color: Matt white (MW) / Dark grey(DG)

3 Aluminium front panel	
Description	Aluminium front panel
	DA6103E3.(*) A.(*)
	Remarks:(*):Cabinet width:040/045/050/055/060/080/090/100/120 (*)Color: Matt white (MW) / Dark grey(DG)

Cutting instruction	
Cutting of aluminium front panel	
La=(LW-127) ; LW=Inner Cabinet Width	

Installation instruction



INNER DRAWER BOX

H80 Inner aluminium panel–Used with plastic spacer

Suitable for LED Glass Magic box、Glass Magic box、
Magic box、Regic box



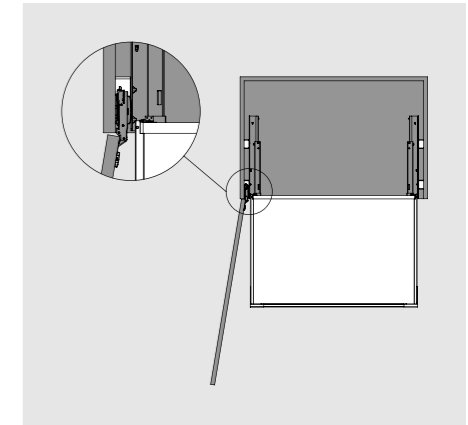
Product



Features

H80mm,aluminum panel
Used with regular hinge (95°-110°)
Used with plastic pad
16/18mm cabinet side panels for option
Suitable for LED glass magic box , magic box, regic box

Application



H=80mm inner drawer components–Used with plastic pad	
Item code	The complete set basic components includes
DA6104ED.040A.(*)	1.Plastic bracket Left/Rjght
DA6104ED.045A.(*)	2.Inner front cover Left/Right
DA6104ED.050A.(*)	3.Aluminium front panel
DA6104ED.055A.(*)	
DA6104ED.060A.(*)	
DA6104ED.080A.(*)	
DA6104ED.090A.(*)	
DA6104ED.100A.(*)	
DA6104ED.120A.(*)	

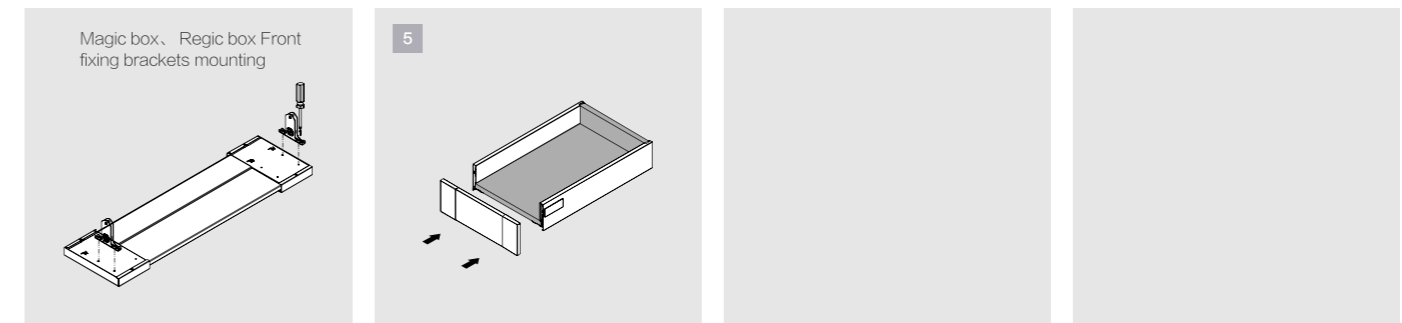
Remarks:(*):Color: Matt white (MW) / Dark grey(DG)

1 Plastic bracket Left/Rjght	
Description	Plastic bracket Left/Rjght
	DA6101E4.80.(*)
	Remarks:(*):Color: Matt white (MW) / Dark grey(DG)

3 Aluminium front panel	
Description	Aluminium front panel
	DA6103E3.(*) A.(*)
	Remarks:(*):Cabinet width:040/045/050/055/060/080/090/100/120 (*)Color: Matt white (MW) / Dark grey(DG)

Cutting instruction	
Cutting of aluminium front panel	
La=(LW-173) ; LW=Inner Cabinet Width	

Installation instruction



*Plastic spacer, see page 127

INNER DRAWER BOX

H80 Inner glass panel

Suitable for LED Glass Magic box、Glass Magic box、
Magic box、Regic box



Product	Features	Application
	H80mm,glass panel Used with large angle hinge (≥165°) 16/18mm cabinet side panels for option Suitable for LED glass magic box , magic box, regic box	

H=80mm inner drawer components	
Item code	The complete set basic components includes
DA6103ES.040A.(*)	1.Plastic bracket Left/Righ
DA6103ES.045A.(*)	2.Inner front cover Left/Right
DA6103ES.050A.(*)	3.Aluminium panel
DA6103ES.055A.(*)	4.Inner glass panel
DA6103ES.060A.(*)	
DA6103ES.080A.(*)	
DA6103ES.090A.(*)	
DA6103ES.100A.(*)	
DA6103ES.120A.(*)	

Cutting instruction	
Cutting of glass holder $La=(LW-127) \div 2$ LW=Inner Cabinet Width	Cutting of glass $L=Inner\ Cabinet\ Width-115$ Glass thickness: 8mm

Remarks:(*):Color: Matt white (MW) / Dark grey(DG)

1 Plastic bracket Left/Rjght		2 Inner front cover Left/Right	
Description	Plastic bracket Left/Rjght	Description	Inner front cover Left/Right
	DA6101E4.80.(*) Remarks:(*):Color: Matt white (MW) / Dark grey(DG)		DA6102E3.80.(*) Remarks:(*):Color: Matt white (MW) / Dark grey(DG)
3 Aluminium panel		4 Inner glass panel	
Description	Aluminium panel	Description	Inner glass panel
	DA6103E2.(*) A.(*) Remarks:(*):Cabinet width:040/045/050/055/060/080/090/100/120 ([Ⓟ]):Color: Matt white (MW) / Dark grey(DG)		DA6105E1.(*) A.TR Remarks:(*):Cabinet width:040/045/050/055/060/080/090/100/120

Installation instruction			

INNER DRAWER BOX

H80 Inner glass panel –Used with plastic spacer

Suitable for LED Glass Magic box、Glass Magic box、
Magic box、Regic box



Product	Features	Application
	H80mm,glass panel Used with regular hinge (95°-110°) Used with plastic pad 16/18mm cabinet side panels for option Suitable for LED glass magic box , magic box, regic box	

H=80mm inner drawer components–Used with plastic pad	
Item code	The complete set basic components includes
DA6103ED.040A.(*)	1.Plastic bracket Left/Rjght
DA6103ED.045A.(*)	2.Inner front cover Left/Right
DA6103ED.050A.(*)	3.Aluminium panel
DA6103ED.055A.(*)	4.Inner glass panel
DA6103ED.060A.(*)	
DA6103ED.080A.(*)	
DA6103ED.090A.(*)	
DA6103ED.100A.(*)	
DA6103ED.120A.(*)	

Cutting instruction	
Cutting of glass holder $La=(LW-173) \div 2$ LW=Inner Cabinet Width	Cutting of glass $L=Inner\ Cabinet\ Width-161$ Glass thickness: 8mm

Remarks:(*):Color: Matt white (MW) / Dark grey(DG)

1 Plastic bracket Left/Rjght		2 Inner front cover Left/Right		3 Aluminium panel	
Description	Plastic bracket Left/Rjght	Description	Inner front cover Left/Right	Description	Aluminium panel
	DA6101E4.80.(*) Remarks:(*):Color: Matt white (MW) / Dark grey(DG)		DA6102E3.80.(*) Remarks:(*):Color: Matt white (MW) / Dark grey(DG)		DA6103E2.(*) A.(*) Remarks:(*):Cabinet width:040/045/050/055/060/080/090/100/120 ([Ⓟ]):Color: Matt white (MW) / Dark grey(DG)
4 Inner glass panel		Brackets–Plastic spacer*(optional)			
Description	Inner glass panel	Description	Plastic spacer(front/back)		
	DA6105E1.(*) A.TR Remarks:(*):Cabinet width:040/045/050/055/060/080/090/100/120		DA6201E.(*) Remarks:(*):Color: Mocca (MCA) / Dark grey(DG)		

Installation instruction				

*Plastic spacer, see page 127

INNER DRAWER BOX

H120 Inner aluminium panel

Suitable for LED Glass Magic box、Glass Magic box、
Magic box、Regic box

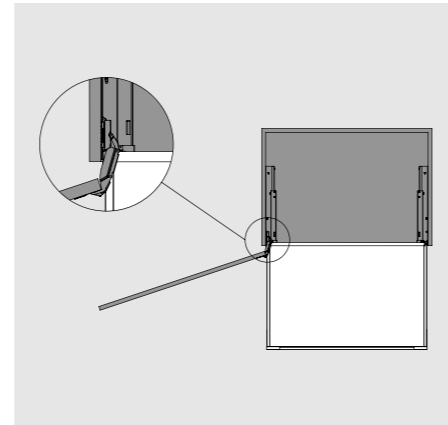
Product



Features

H120mm,aluminum panel
Used with large angle hinge (≥165°)
16/18mm cabinet side panels for option
Suitable for LED glass magic box , magic box, regic box

Application



H=120mm inner drawer components	
Item code	The complete set basic components includes
DA6104ES.040B.(*)	1.Plastic bracket Left/Right
DA6104ES.045B.(*)	2.Inner front cover Left/Right
DA6104ES.050B.(*)	3.Aluminium front panel
DA6104ES.055B.(*)	
DA6104ES.060B.(*)	
DA6104ES.080B.(*)	
DA6104ES.090B.(*)	
DA6104ES.100B.(*)	
DA6104ES.120B.(*)	

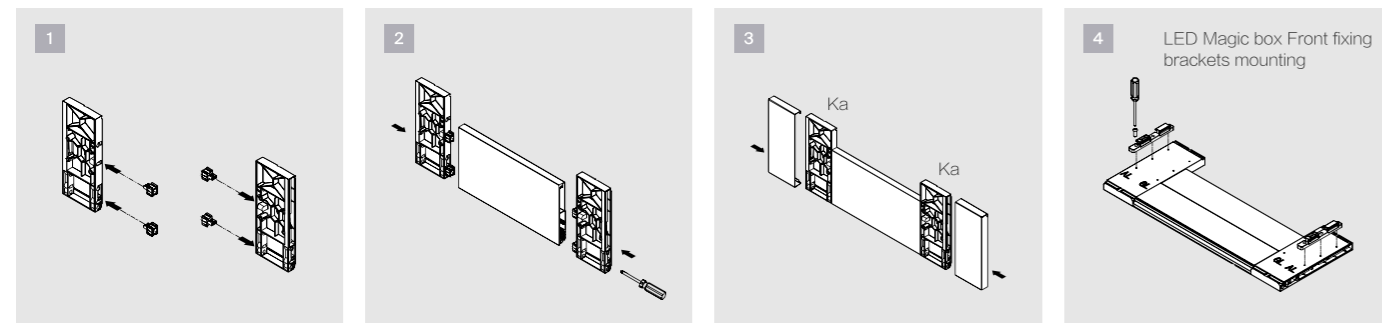
Remarks:(*):Color: Matt white (MW) / Dark grey(DG)

1 Plastic bracket Left/Right	
Description	Plastic bracket Left/Right
	DA6101E4.120.(*)
	Remarks:(*):Color: Matt white (MW) / Dark grey(DG)

3 Aluminium front panel	
Description	Aluminium front panel
	DA6103E3.(*) A.(*)
	Remarks:(*):Cabinet width:040/045/050/055/060/080/090/100/120 (*)Color: Matt white (MW) / Dark grey(DG)

Cutting instruction	
Cutting of aluminium front panel	
La=(LW-127) ÷ 2 LW=Inner Cabinet Width	

Installation instruction



INNER DRAWER BOX

H120 Inner aluminium panel–Used with plastic spacer

Suitable for LED Glass Magic box、Glass Magic box、
Magic box、Regic box

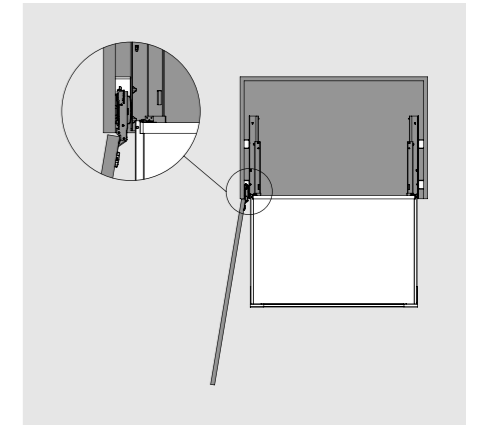
Product



Features

H120mm,aluminum panel
Used with regular hinge (95°-110°)
Used with plastic pad
16/18mm cabinet side panels for option
Suitable for LED glass magic box , magic box, regic box

Application



H=120mm inner drawer components–Used with plastic pad	
Item code	The complete set basic components includes
DA6104ED.040B.(*)	1.Plastic bracket Left/Right
DA6104ED.045B.(*)	2.Inner front cover Left/Right
DA6104ED.050B.(*)	3.Aluminium front panel
DA6104ED.055B.(*)	
DA6104ED.060B.(*)	
DA6104ED.080B.(*)	
DA6104ED.090B.(*)	
DA6104ED.100B.(*)	
DA6104ED.120B.(*)	

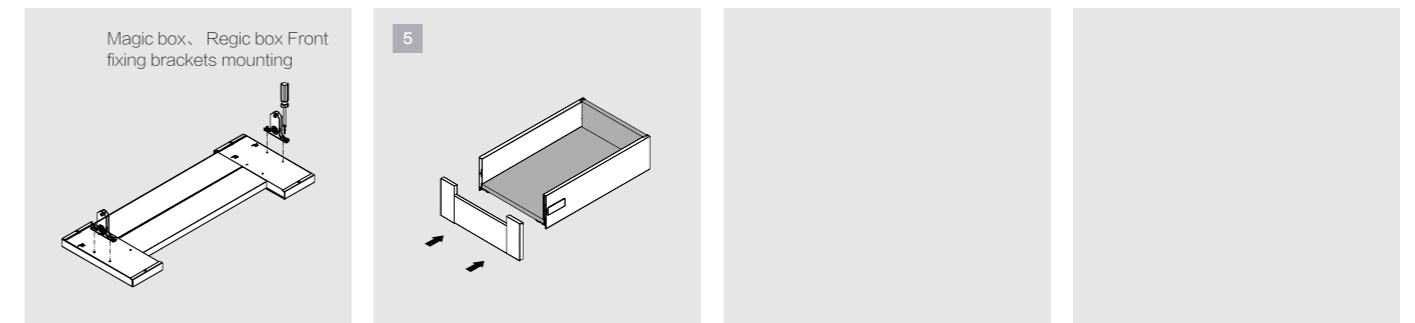
Remarks:(*):Color: Matt white (MW) / Dark grey(DG)

1 Plastic bracket Left/Right	
Description	Plastic bracket Left/Right
	DA6101E4.120.(*)
	Remarks:(*):Color: Matt white (MW) / Dark grey(DG)

3 Aluminium front panel	
Description	Aluminium front panel
	DA6103E3.(*) A.(*)
	Remarks:(*):Cabinet width:040/045/050/055/060/080/090/100/120 (*)Color: Matt white (MW) / Dark grey(DG)

Cutting instruction	
Cutting of aluminium front panel	
La=(LW-173) ÷ 2 LW=Inner Cabinet Width	

Installation instruction



*Plastic spacer, see page 127

INNER DRAWER BOX

H120 Inner glass panel

Suitable for LED Glass Magic box、Glass Magic box、
Magic box、Regic box



Product	Features	Application
	H120mm,glass panel Used with large angle hinge ($\geq 165^\circ$) 16/18mm cabinet side panels for option Suitable for LED glass magic box , magic box, regic box	

H=120mm inner drawer components	
Item code	The complete set basic components includes
	1.The complete set basic components includes
DA6103ES.040B.(*)	2.Inner front cover Left/Right
DA6103ES.045B.(*)	3.Aluminium panel
DA6103ES.050B.(*)	4.Inner glass panel
DA6103ES.055B.(*)	
DA6103ES.060B.(*)	
DA6103ES.080B.(*)	
DA6103ES.090B.(*)	
DA6103ES.100B.(*)	
DA6103ES.120B.(*)	

Cutting instruction	
Cutting of glass holder $La = (LW - 127) \div 2$ LW:Inner Cabinet Width	Cutting of glass $L = \text{Inner Cabinet Width} - 115$ Glass thickness: 8mm

Remarks:(*):Color: White (WT) /Dark grey(DG)

1 Plastic bracket Left/Rjght		2 Inner front cover Left/Right	
Description	Plastic bracket Left/Rjght	Description	Inner front cover Left/Right
	DA6101E4.120.(*)		DA6102E3.120.(*)
	Remarks:(*):Color: White (WT) /Dark grey(DG)		Remarks:(*):Color: White (WT) /Dark grey(DG)
3 Aluminium panel		4 Inner glass panel	
Description	Aluminium panel	Description	Inner glass panel
	DA6103E2.(*) A.(*)		DA6105E1.(*) C.TR
	Remarks:(*):Cabinet width: 060/080/090/100/120 (^②):Color: White (WT) /Dark grey(DG)		Remarks:(*):Cabinet width: 060/080/090/100/120

Installation instruction

-
-
-
- LED Magic box Front fixing brackets mounting**

INNER DRAWER BOX

H120 Inner glass panel –Used with plastic spacer

Suitable for LED Glass Magic box、Glass Magic box、
Magic box、Regic box



Product	Features	Application
	H120mm,glass panel Used with regular hinge ($95^\circ-110^\circ$) Used with plastic pad 16/18mm cabinet side panels for option Suitable for LED glass magic box , magic box, regic box	

H=120mm inner drawer components–Used with plastic pad	
Item code	The complete set basic components includes
	1.Plastic bracket Left/Right
DA6103ED.040B.(*)	2.Inner front cover Left/Right
DA6103ED.045B.(*)	3.Aluminium panel
DA6103ED.050B.(*)	4.Inner front cover Left/Right
DA6103ED.055B.(*)	
DA6103ED.060B.(*)	
DA6103ED.080B.(*)	
DA6103ED.090B.(*)	
DA6103ED.100B.(*)	
DA6103ED.120B.(*)	

Cutting instruction	
Cutting of glass holder $La = (LW - 173) \div 2$ LW:Inner Cabinet Width	Cutting of glass $L = \text{Inner Cabinet Width} - 161$ Glass thickness: 8mm

Remarks:(*):Color: White (WT) /Dark grey(DG)

1 Plastic bracket Left/Rjght		2 Inner front cover Left/Right		3 Aluminium panel	
Description	Plastic bracket Left/Rjght	Description	Inner front cover Left/Right	Description	Aluminium panel
	DA6101E4.120.(*)		DA6102E3.120.(*)		DA6103E2.(*) A.(*)
	Remarks:(*):Color: White (WT) /Dark grey(DG)		Remarks:(*):Color: White (WT) /Dark grey(DG)		Remarks:(*):Cabinet width:040/045/050/055/060/080/090/100/120 (^②):Color: Matt white (MW) / Dark grey(DG)
4 Inner glass panel		Brackets–Plastic spacer*(optional)			
Description	Inner glass panel	Description	Plastic spacer(front/back)		
	DA6105E1.(*) C.TR		DA6201E.(*)		
	Remarks:(*):Cabinet width:040/045/050/055/060/080/090/100/120		Remarks:(*):Color: Mocca (MCA) / Dark grey(DG)		

Installation instruction

-
-
-
-
-

*Plastic spacer, see page 127

INNER DRAWER BOX

H170 Inner aluminium panel

Suitable for LED Glass Magic box、Glass Magic box、
Magic box、Regic box



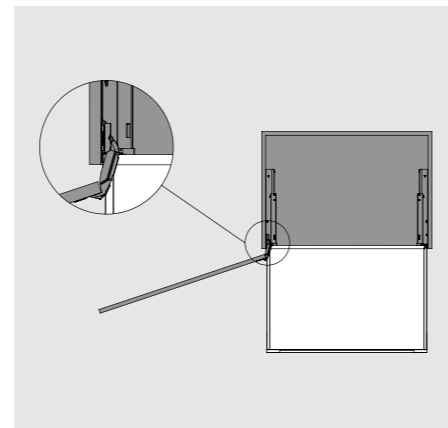
Product



Features

H170mm,aluminum panel
Used with large angle hinge ($\geq 165^\circ$)
16/18mm cabinet side panels for option
Suitable for LED glass magic box , magic box, regic box

Application



H=170mm inner drawer components	
Item code	The complete set basic components includes
	1.Plastic bracket Left/Rjght
DA6104ES.040C.(*)	2.Inner front cover Left/Right
DA6104ES.045C.(*)	3.Aluminium front panel
DA6104ES.050C.(*)	4.Inner aluminium bar
DA6104ES.055C.(*)	
DA6104ES.060C.(*)	
DA6104ES.080C.(*)	
DA6104ES.090C.(*)	
DA6104ES.100C.(*)	
DA6104ES.120C.(*)	

Remarks:(*):Color: White (WT) /Dark grey(DG)

1 Plastic bracket Left/Rjght	
Description	Plastic bracket Left/Rjght
	DA6101E4.170.(*)
	Remarks:(*):Color: White (WT) /Dark grey(DG)

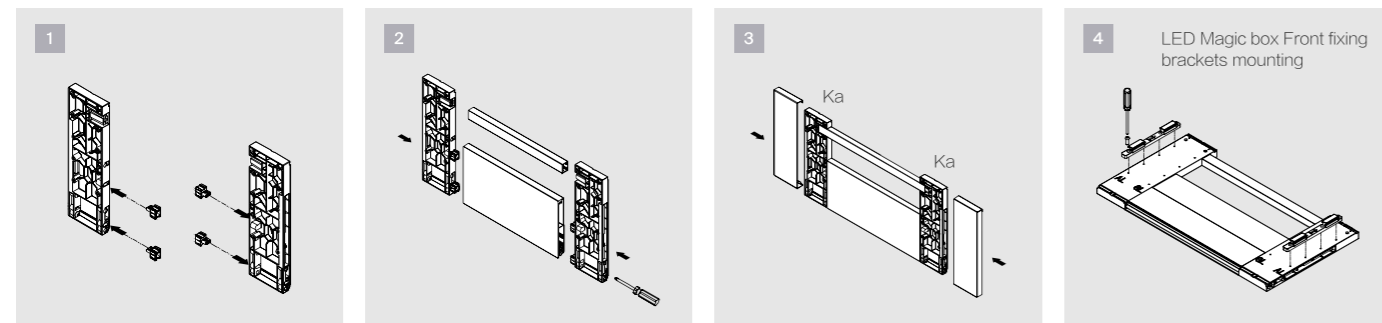
3 Aluminium front panel	
Description	Aluminium front panel
	DA6103E3.(*) A.(*)
	Remarks:(*):Cabinet width:040/045/050/055/060/080/090/100/120 (*)):Color: Matt white (MW) / Dark grey(DG)

Cutting instruction	
Cutting of aluminium front panel	Cutting of aluminium bar
$La=(LW-127) \pm 0.5$ LW=Inner Cabinet Width	$La=(LW-83) \pm 0.5$ LW=Inner Cabinet Width

2 Inner front cover Left/Right	
Description	Inner front cover Left/Right
	DA6102E3.170.(*)
	Remarks:(*):Color: White (WT) /Dark grey(DG)

4 Inner aluminium bar	
Description	Inner aluminium bar
	DA6104E2.(*) C.(*)
	Remarks:(*):Cabinet width:040/045/050/055/060/080/090/100/120 (*)):Color: Matt white (MW) / Dark grey(DG)

Installation instruction



INNER DRAWER BOX

H170 Inner aluminium panel–Used with plastic spacer

Suitable for LED Glass Magic box、Glass Magic box、
Magic box、Regic box



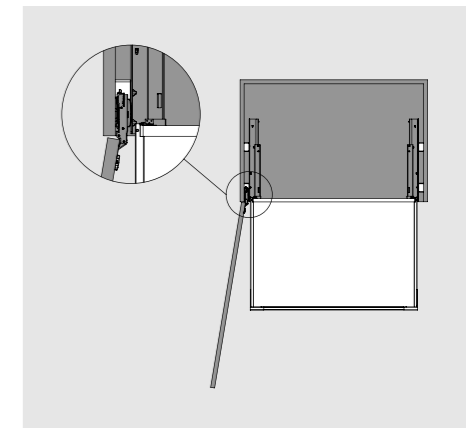
Product



Features

H170mm,aluminum panel
Used with regular hinge ($95^\circ-110^\circ$)
Used with plastic pad
16/18mm cabinet side panels for option
Suitable for LED glass magic box , magic box, regic box

Application



H=170mm inner drawer components–Used with plastic pad	
Item code	The complete set basic components includes
	1.Plastic bracket Left/Rjght
DA6104ED.040C.(*)	2.Inner front cover Left/Right
DA6104ED.045C.(*)	3.Aluminium front panel
DA6104ED.050C.(*)	4.Aluminium front panel
DA6104ED.055C.(*)	
DA6104ED.060C.(*)	
DA6104ED.080C.(*)	
DA6104ED.090C.(*)	
DA6104ED.100C.(*)	
DA6104ED.120C.(*)	

Remarks:(*):Color: White (WT) /Dark grey(DG)

1 Plastic bracket Left/Rjght		2 Inner front cover Left/Right	
Description	Plastic bracket Left/Rjght	Description	Inner front cover Left/Right
	DA6101E4.170.(*)		DA6102E3.170.(*)
	Remarks:(A):Color: White (WT) / Dark grey(DG)		Remarks:(A):Color: White (WT) / Dark grey(DG)

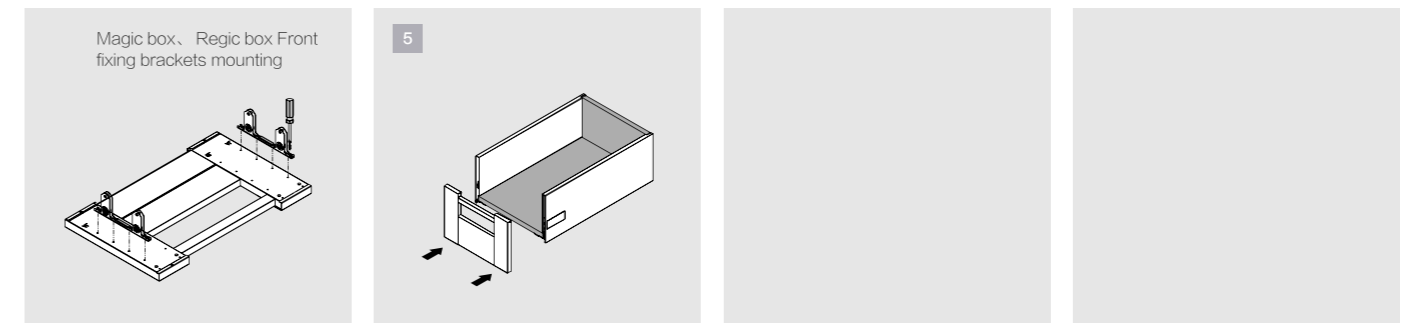
4 Inner aluminium bar	
Description	Inner aluminium bar
	DA6104E2.(*) C.(*)
	Remarks:(*):Cabinet width:040/045/050/055/060/080/090/100/120 (*)):Color: Matt white (MW) / Dark grey(DG)

Cutting instruction	
Cutting of aluminium front panel	Cutting of aluminium bar
$La=(LW-173) \pm 0.5$ LW=Inner Cabinet Width	$La=(LW-129) \pm 0.5$ LW=Inner Cabinet Width

3 Aluminium front panel	
Description	Aluminium front panel
	DA6103E2.(*) A.(*)
	Remarks:(*):Cabinet width:040/045/050/055/060/080/090/100/120 (*)):Color: Matt white (MW) / Dark grey(DG)

Brackets–Plastic spacer*(optional)	
Description	Plastic spacer(front/back)
	DA6201E.(*)
	Remarks:(*):Color: Mocca (MCA) / Dark grey(DG)

Installation instruction



*Plastic spacer, see page 127

INNER DRAWER BOX

H170 Inner glass panel

Suitable for LED Glass Magic box、Glass Magic box、
Magic box、Regic box



Product	Features	Application
	H170mm,glass panel Used with large angle hinge (≥165°) 16/18mm cabinet side panels for option Suitable for LED glass magic box , magic box, regic box	

H=170mm inner drawer components	
Item code	The complete set basic components includes
	1.Plastic bracket Left/Rjght
DA6103ES.040C.(*)	2.Inner front cover Left/Right
DA6103ES.045C.(*)	3.Aluminium panel
DA6103ES.050C.(*)	4.Inner glass panel
DA6103ES.055C.(*)	
DA6103ES.060C.(*)	
DA6103ES.080C.(*)	
DA6103ES.090C.(*)	
DA6103ES.100C.(*)	
DA6103ES.120C.(*)	

Remarks:(*):Color: White (WT) /Dark grey(DG)

1 Plastic bracket Left/Rjght	
Description	Plastic bracket Left/Rjght
	DA6101E4.170.(*)
	Remarks:(*):Color: White (WT) /Dark grey(DG)

3 Aluminium panel	
Description	Aluminium panel
	DA6103E2.(*) A.(*)
	Remarks:(*):Cabinet width:040/045/050/055/060/080/090/100/120
	(*)Color: Matt white (MW) / Dark grey(DG)

Cutting instruction	
Cutting of glass holder $La=(LW-127) \div 2$ LW=Inner Cabinet Width	Cutting of glass $L=Inner\ Cabinet\ Width-115$ Glass thickness: 8mm

Installation instruction

-
-
-
-

INNER DRAWER BOX

H170 Inner glass panel –Used with plastic spacer

Suitable for LED Glass Magic box、Glass Magic box、
Magic box、Regic box



Product	Features	Application
	H170mm,glass panel Used with regular hinge (95°-110°) Used with plastic pad 16/18mm cabinet side panels for option Suitable for LED glass magic box , magic box, regic box	

H=170mm inner drawer components–Used with plastic pad	
Item code	The complete set basic components includes
	1.Plastic bracket Left/Rjght
DA6103ED.040C.(*)	2.Inner front cover Left/Right
DA6103ED.045C.(*)	3.Aluminium panel
DA6103ED.050C.(*)	4.Inner glass panel
DA6103ED.055C.(*)	
DA6103ED.060C.(*)	
DA6103ED.080C.(*)	
DA6103ED.090C.(*)	
DA6103ED.100C.(*)	
DA6103ED.120C.(*)	

Remarks:(*):Color: White (WT) /Dark grey(DG)

1 Plastic bracket Left/Rjght	
Description	Plastic bracket Left/Rjght
	DA6101E4.170.(*)
	Remarks:(*):Color: White (WT) / Dark grey(DG)

2 Inner front cover Left/Right	
Description	Inner front cover Left/Right
	DA6102E3.170.(*)
	Remarks:(*):Color: White (WT) / Dark grey(DG)

3 Aluminium panel	
Description	Aluminium panel
	DA6103E2.(*) A.(*)
	Remarks:(*):Cabinet width:040/045/050/055/060/080/090/100/120
	(*)Color: Matt white (MW) / Dark grey(DG)

4 Inner glass panel	
Description	Inner glass panel
	DA6105E1.(*) C.TR
	Remarks:(*):Cabinet width:040/045/050/055/060/080/090/100/120

Cutting instruction	
Cutting of glass holder $La=(LW-173) \div 2$ LW=Inner Cabinet Width	Cutting of glass $L=Inner\ Cabinet\ Width-161$ Glass thickness: 8mm

Brackets–Plastic spacer*(optional)	
Description	Plastic spacer(front/back)
	DA6201E.(*)
	Remarks:(*):Color: Mocca (MCA) / Dark grey(DG)

Installation instruction

-

*Plastic spacer, see page 127





INNER DRAWER BOX - Full range accessories

INNER DRAWER BOX

INNER DRAWER BOX

H80 Inner aluminium panel

Suitable for Pobox



Product	Features	Application
	H80mm,aluminum panel Used with large angle hinge (≥165°) 16/18mm cabinet side panels for option Suitable for pobox	

H=80mm inner drawer components	
Item code	The complete set basic components includes
DA6104DS.040A.(*)	1.Plastic bracket Left/Right
DA6104DS.045A.(*)	2.Inner front cover Left/Right
DA6104DS.050A.(*)	3.Aluminium front panel
DA6104DS.055A.(*)	
DA6104DS.060A.(*)	
DA6104DS.080A.(*)	
DA6104DS.090A.(*)	
DA6104DS.100A.(*)	
DA6104DS.120A.(*)	

Cutting instruction	
Cutting of aluminium front panel	
	La=(LW-127) ♂ LW=Inner Cabinet Width

Remarks:(*):Color: White (WT) /Silver(SV)

1 Plastic bracket Left/Right		2 Inner front cover Left/Right	
Description	Plastic bracket Left/Right	Description	Inner front cover Left/Right
	DA6101D4.80.(*)		DA6104D1.80.(*)
	Remarks:(A):Color: White (WT) /Silver(SV)		Remarks:(*):Color: White (WT) /Silver(SV)
3 Aluminium front panel			
Description	Aluminium front panel		
	DA6102D4.(*) A.(*)		
	Remarks:(*):Cabinet width:040/045/050/055/060/080/090/100/120 (♠):Color: White (WT) /Silver(SV)		

Installation instruction			

INNER DRAWER BOX

H80 Inner glass panel

Suitable for Pobox



Product	Features	Application
	H80mm,glass panel Used with large angle hinge (≥165°) 16/18mm cabinet side panels for option Suitable for pobox	

H=80mm inner drawer components	
Item code	The complete set basic components includes
DA6105DS.040A.(*)	1.Plastic bracket Left/Right
DA6105DS.045A.(*)	2.Inner front cover Left/Right
DA6105DS.050A.(*)	3.Aluminium panel
DA6105DS.055A.(*)	4.Inner glass panel
DA6105DS.060A.(*)	
DA6105DS.080A.(*)	
DA6105DS.090A.(*)	
DA6105DS.100A.(*)	
DA6105DS.120A.(*)	

Installation instruction	
Cutting of glass holder	Cutting of glass
La=(LW-127) ♂ LW=Inner Cabinet Width	Glass thickness: 8mm

Remarks:(*):Color: White (WT) /Silver(SV)

1 Plastic bracket Left/Right		2 Inner front cover Left/Right	
Description	Plastic bracket Left/Right	Description	Inner front cover Left/Right
	DA6101D5.80.(*)		DA6104D1.80.(*)
	Remarks:(*):Color: White (WT) /Silver(SV)		Remarks:(*):Color: White (WT) /Silver(SV)
3 Aluminium panel		4 Inner glass panel	
Description	Aluminium panel	Description	Inner glass panel
	DA6102D5.(*) A.(*)		DA6103D2.(*) A.GB
	Remarks:(*):Cabinet width:040/045/050/055/060/080/090/100/120 (♠):Color: White (WT) /Silver(SV)		Remarks:(*):Cabinet width:040/045/050/055/060/080/090/100/120

Installation instruction			

INNER DRAWER BOX

H190 Inner aluminium panel

Suitable for Pobox



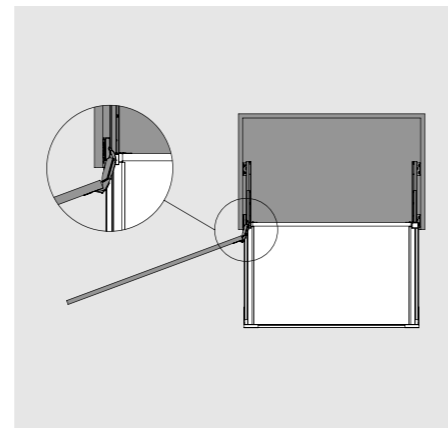
Product



Features

H190mm,aluminum panel
Used with large angle hinge ($\geq 165^\circ$)
16/18mm cabinet side panels for option
Suitable for pobox

Application



H=190mm inner drawer components	
Item code	The complete set basic components includes
DA6104DS.040C.(*)	1.Plastic bracket Left/Right
DA6104DS.045C.(*)	2.Inner front cover Left/Right
DA6104DS.050C.(*)	3.Aluminium front panel
DA6104DS.055C.(*)	4.Inner aluminium bar
DA6104DS.060C.(*)	
DA6104DS.080C.(*)	
DA6104DS.090C.(*)	
DA6104DS.100C.(*)	
DA6104DS.120C.(*)	

Remarks:(*):Color: White (WT) /Silver(SV)

1 Plastic bracket Left/Right	
Description	Plastic bracket Left/Right
	DA6101D4.190.(*)
	Remarks:(*):Color: White (WT) /Silver(SV)

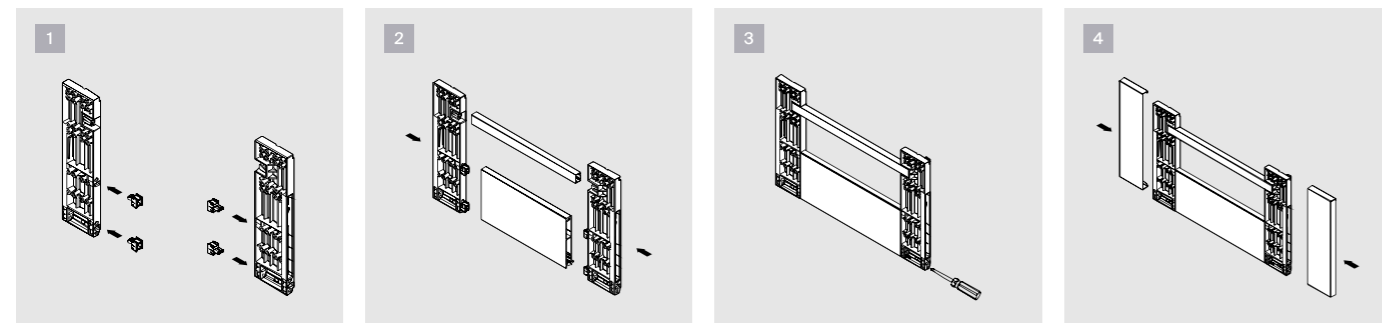
3 Aluminium front panel	
Description	Aluminium front panel
	DA6102D4.(*) A.(*)
	Remarks:(*):Cabinet width:040/045/050/055/060/080/090/100/120 (*)Color: White (WT) /Silver(SV)

Cutting instruction	
Cutting of aluminium front panel	Cutting of aluminium bar
$La=(LW-127) \pm 0.5$ LW=Installation instruction	$La=(LW-87) \pm 0.5$ LW=Installation instruction

2 Inner front cover Left/Right	
Description	Inner front cover Left/Right
	DA6104D1.190.(*)
	Remarks:(*):Color: White (WT) /Silver(SV)

4 Inner aluminium bar	
Description	Inner aluminium bar
	DA6102D5.(*) C.(*)
	Remarks:(*):Cabinet width:040/045/050/055/060/080/090/100/120 (*)Color: White (WT) /Silver(SV)

Installation instruction



INNER DRAWER BOX

H190 Inner glass panel

Suitable for Pobox



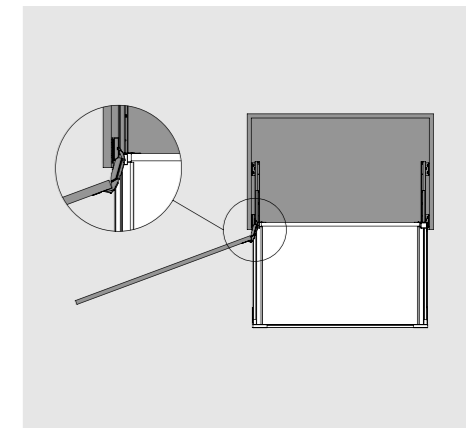
Product



Features

H190mm,glass panel
Used with large angle hinge ($\geq 165^\circ$)
16/18mm cabinet side panels for option
Suitable for pobox

Application



H=190mm inner drawer components	
Item code	The complete set basic components includes
DA6105DS.040C.(*)	1.Plastic bracket Left/Right
DA6105DS.045C.(*)	2.Inner front cover Left/Right
DA6105DS.050C.(*)	3.Aluminium panel
DA6105DS.055C.(*)	4.Inner glass panel
DA6105DS.060C.(*)	
DA6105DS.080C.(*)	
DA6105DS.090C.(*)	
DA6105DS.100C.(*)	
DA6105DS.120C.(*)	

Remarks:(*):Color: White (WT) /Silver(SV)

1 Plastic bracket Left/Right	
Description	Plastic bracket Left/Right
	DA6101D5.190.(*)
	Remarks:(*):Color: White (WT) /Silver(SV)

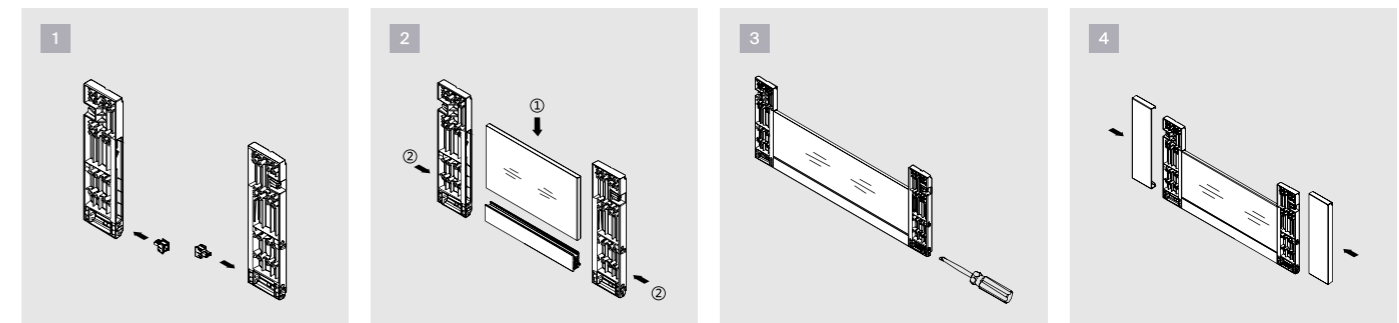
3 Aluminium panel	
Description	Aluminium panel
	DA6102D5.(*) A.(*)
	Remarks:(*):Cabinet width:040/045/050/055/060/080/090/100/120 (*)Color: White (WT) /Silver(SV)

Cutting instruction	
Cutting of glass holder	Cutting of glass
$La=(LW-127) \pm 0.5$ LW=Inner Cabinet Width	Glass thickness: 8mm

2 Inner front cover Left/Right	
Description	Inner front cover Left/Right
	DA6104D1.190.(*)
	Remarks:(*):Color: White (WT) /Silver(SV)

4 Inner glass panel	
Description	Inner glass panel
	DA6103D2.(*) C.GB
	Remarks:(*):Cabinet width:040/045/050/055/060/080/090/100/120

Installation instruction



ALUMINIUM BACK PANEL

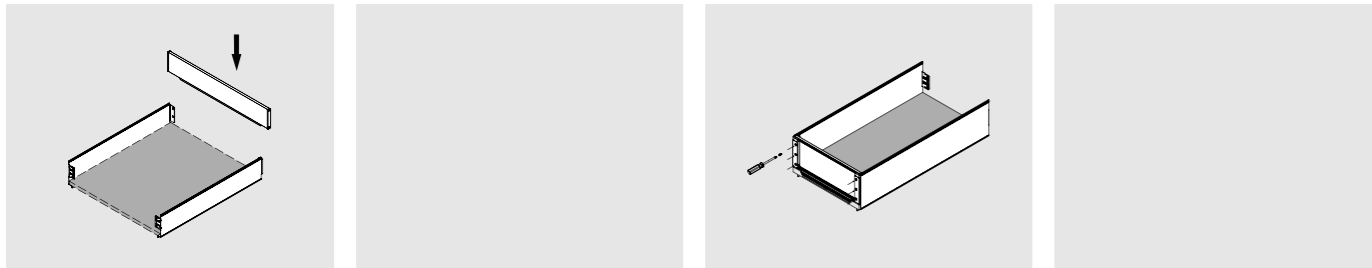
Suitable for Cobox

Design The Installation



H=80mm Aluminium back panel	
Description	H=80mm Aluminium back panel
	DA1104B.(*) A.TCA
	Remarks:(*)Cabinet width:040/045/050/055/060/080/090/100/120
H=120mm Aluminium back panel	
Description	H=120mm Aluminium back panel
	DA1104B.(*) B.TCA
	Remarks:(*)Cabinet width:040/045/050/055/060/080/090/100/120
H=150mm Aluminium back panel	
Description	H=150mm Aluminium back panel
	DA1104B.(*) C.TCA
	Remarks:(*)Cabinet width:040/045/050/055/060/080/090/100/120

Installation instruction



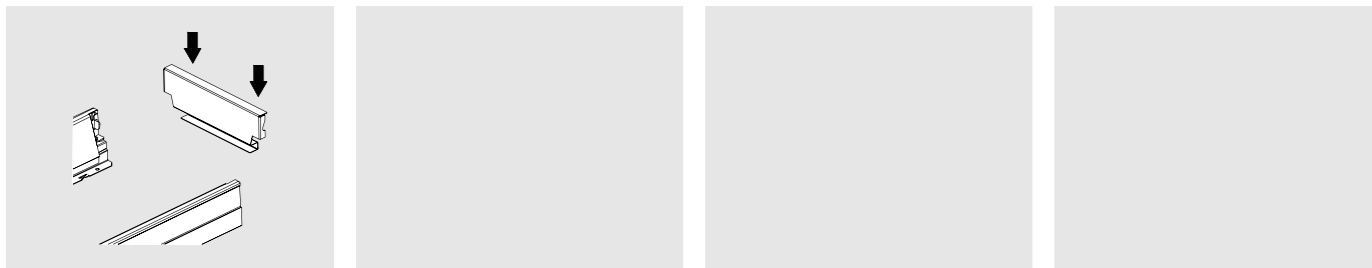
STEEL BACK PANEL

Suitable for Pobox



H=80mm Steel back panel	
Description	H=80mm Steel back panel
	DA1104C1.(*) A.(*)
	Remarks:(*)Cabinet width: 040/045/050/055/060/080/090/100/120 (*)Color: White (WT) /Silver(SV)
H=130mm Steel back panel	
Description	H=130mm Steel back panel
	DA1104C1.(*) B.(*)
	Remarks:(*)Cabinet width: 040/045/050/055/060/080/090/100/120 (*)Color: White (WT) /Silver(SV)
H=190mm Steel back panel	
Description	H=190mm Steel back panel
	DA1104C1.(*) C.(*)
	Remarks:(*)Cabinet width: 040/045/050/055/060/080/090/100/120 (*)Color: White (WT) /Silver(SV)

Installation instruction



MAT

Design The Installation

Small granulous anti-slip mat-Suitable for LED glass magic box, Glass magic box, Magic box, Regic box	
Description	Small granulous anti-slip mat
	DA1105C1.(*) (*)GR

Remarks:
 (*):Cabinet Width:040/045/050/055/060/090/100/120mm
 (*):Nominal length:1=270/2=300/3=350/4=400/5=450/6=500/7=550mm
 Size for a roll: 20m*1.1m

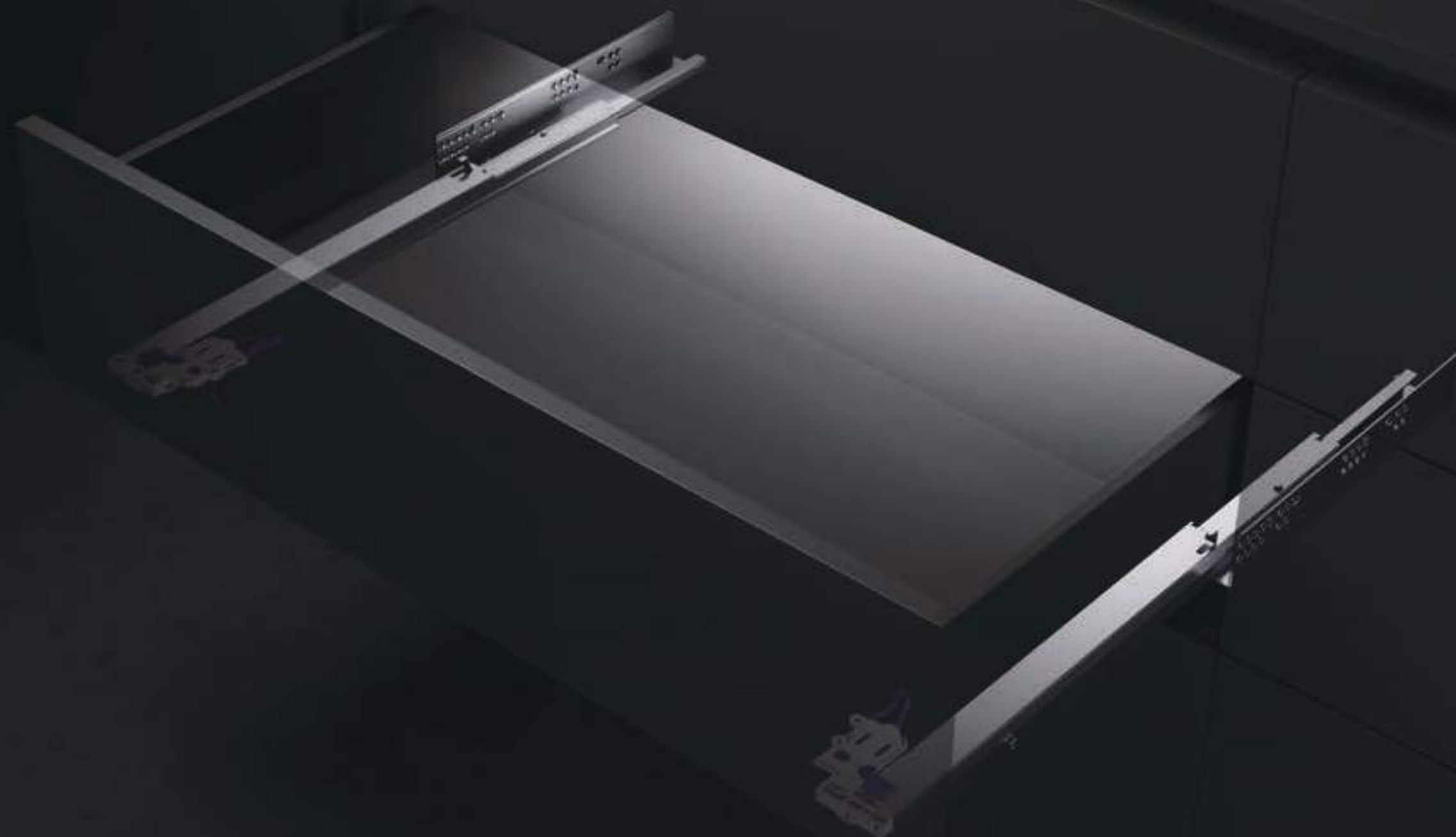
Small granulous anti-slip mat-Suitable for Pobox	
Description	Small granulous anti-slip mat
	DA1105C2.(*) (*)GR

Remarks:
 (A):Cabinet Width:040/045/050/055/060/090/100/120mm
 (*):Nominal length:1/2/3/4/5/6/7
 Size for a roll: 20m*1.1m

Mat for SLANKA SYSTEM	
Description	Mat for SLANKA SYSTEM
	PP5181A.TDB

Remarks:
 Size for a roll: 1.2m*10m

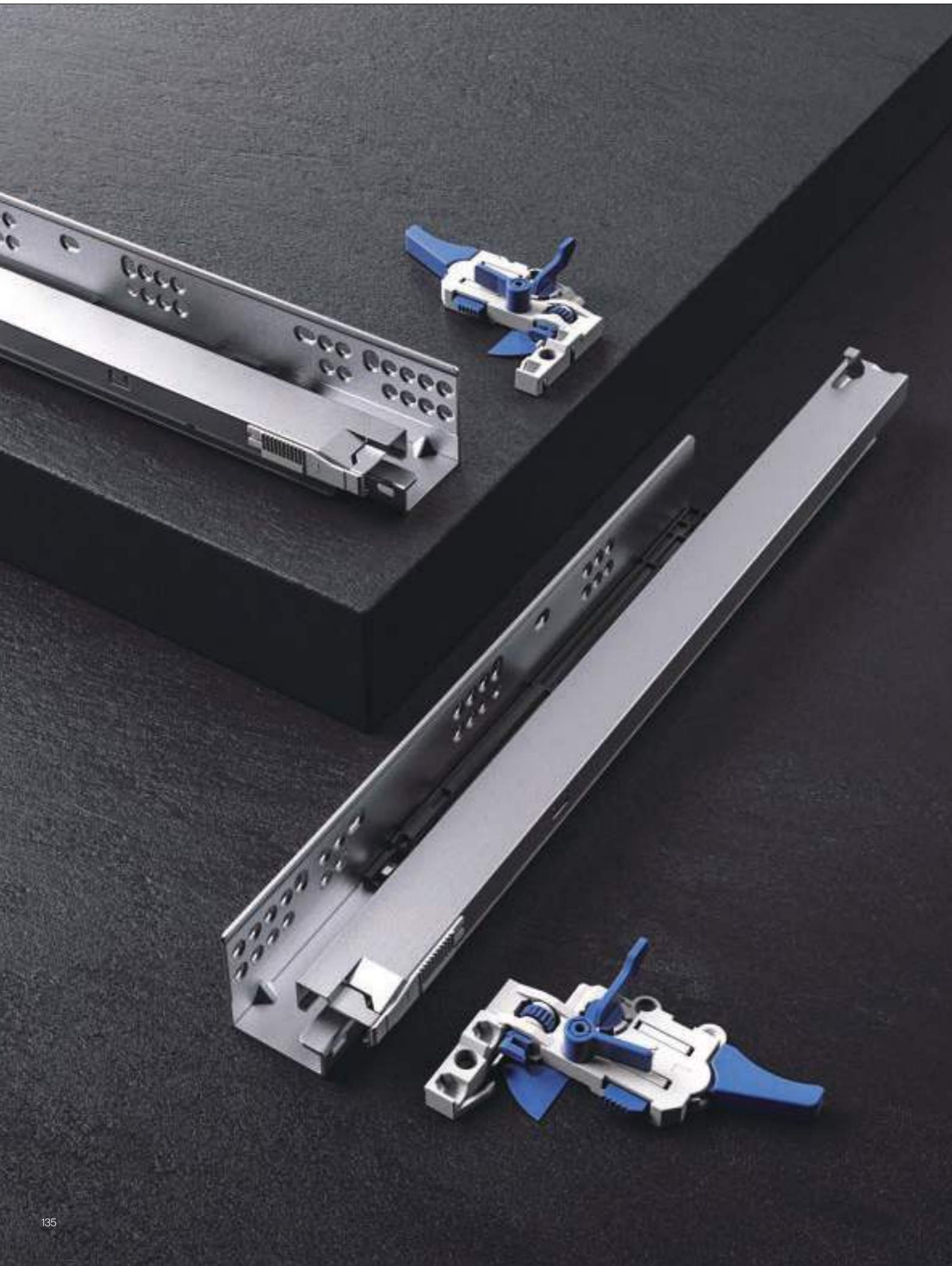
CONCEALED SLIDE SYSTEM



CONCEALED SLIDE

60000
60000 LIFE CYCLES





CONCEALED SLIDE - Synchronized movement with TUV certificate of 60,000 cycles

CONCEALED SLIDE

CONCEALED SLIDE

-For 16mm side panel



3D Full extension with soft-closing

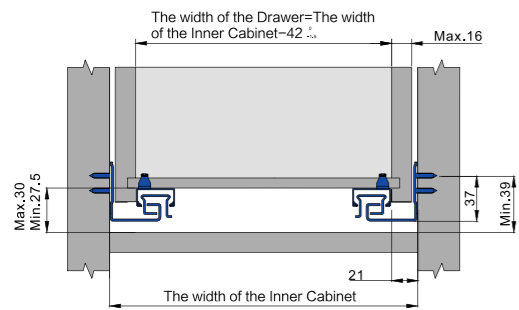


→ FEATURES

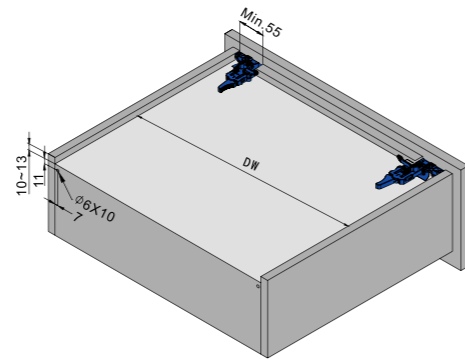
- Clip-on Full extension
- Synchronized concealed slide
- Load capacity of 30kg
- Smooth rolling mechanism
- Quick assembly
- Up and down, left and right, front and back, 6 dimensional adjustment
- Optional for Huggen PTO system

Item code	Item code-with huggen PTO system	Nominal length	☑
CL12E1.250N3.ZP	CL16E1.250N3.ZP	250mm	10Sets
CL12E1.2703.ZP	CL16E1.2703.ZP	270mm	10Sets
CL12E1.3003.ZP	CL16E1.3003.ZP	300mm	10Sets
CL12E1.3503.ZP	CL16E1.3503.ZP	350mm	10Sets
CL12E1.4003.ZP	CL16E1.4003.ZP	400mm	10Sets
CL12E1.4503.ZP	CL16E1.4503.ZP	450mm	10Sets
CL12E1.5003.ZP	CL16E1.5003.ZP	500mm	10Sets
CL12E1.5503.ZP	CL16E1.5503.ZP	550mm	10Sets

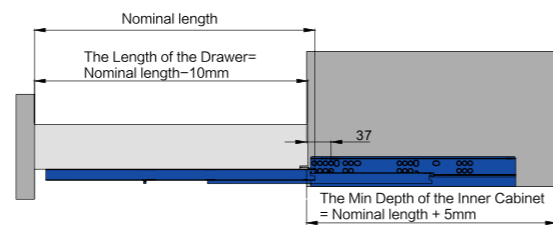
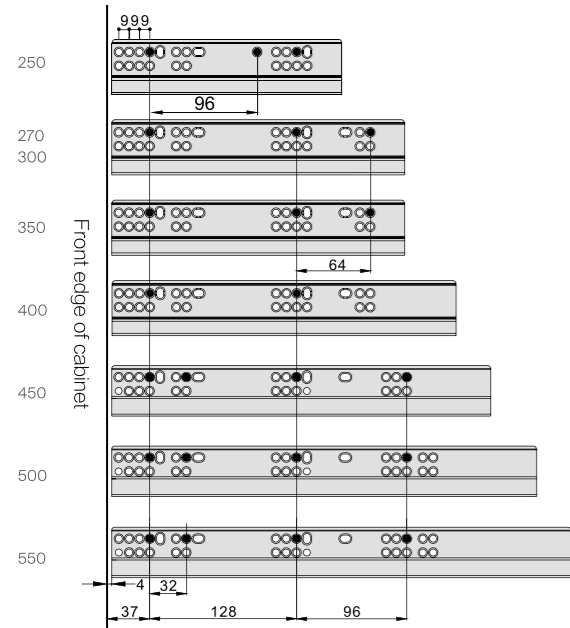
Space required



Cutting size



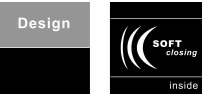
Runner Installation



*For more detail of huggen PTO system, see page 095-098.

CONCEALED SLIDE

-For 18mm side panel



3D Full extension with soft-closing

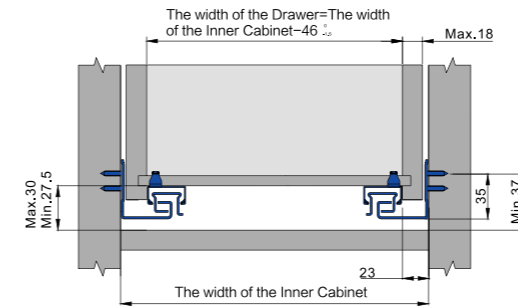


→ FEATURES

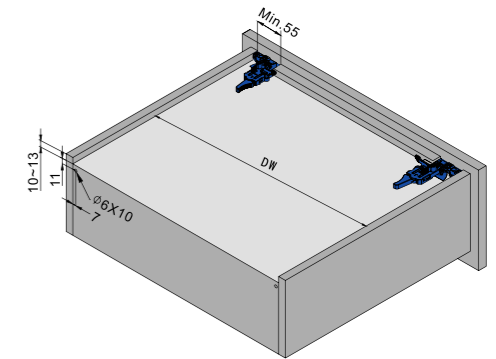
- Clip-on Full extension
- Synchronized concealed slide
- Load capacity of 30kg
- Smooth rolling mechanism
- Quick assembly
- Up and down, left and right, front and back, 6 dimensional adjustment
- Optional for Huggen PTO system

Item code	Item code-with huggen PTO system	Nominal length	☑
CL12E2.250N3.ZP	CL16E2.250N3.ZP	250mm	10Sets
CL12E2.2703.ZP	CL16E2.2703.ZP	270mm	10Sets
CL12E2.3003.ZP	CL16E2.3003.ZP	300mm	10Sets
CL12E2.3503.ZP	CL16E2.3503.ZP	350mm	10Sets
CL12E2.4003.ZP	CL16E2.4003.ZP	400mm	10Sets
CL12E2.4503.ZP	CL16E2.4503.ZP	450mm	10Sets
CL12E2.5003.ZP	CL16E2.5003.ZP	500mm	10Sets
CL12E2.5503.ZP	CL16E2.5503.ZP	550mm	10Sets

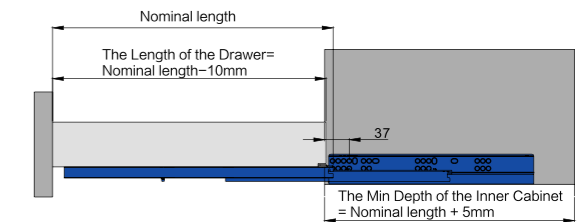
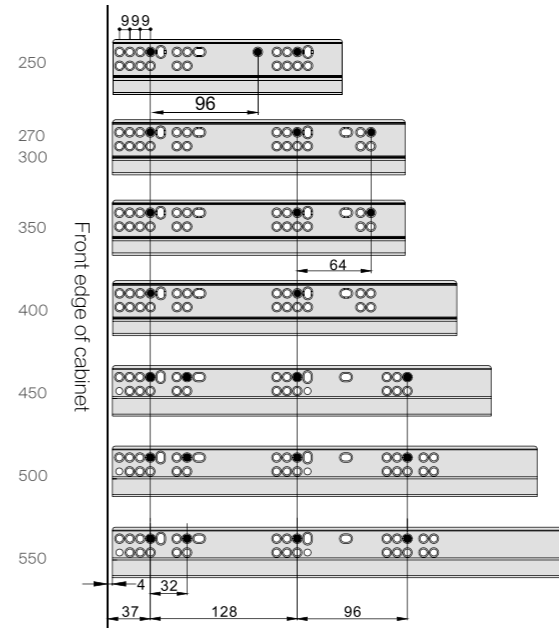
Space required



Cutting size



Runner Installation



*For more detail of huggen PTO system, see page 095-098.

CONCEALED SLIDE

-For 16mm side panel



3D Single extension with soft-closing

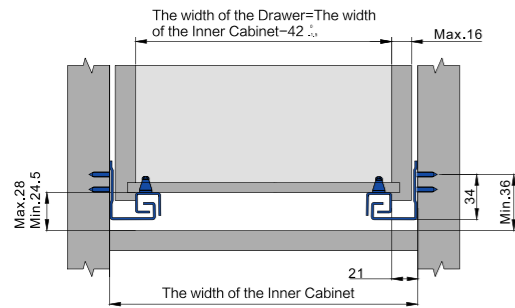


→ FEATURES

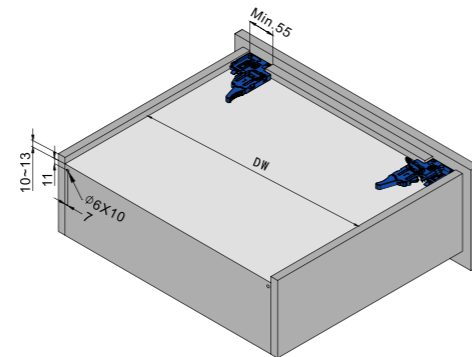
- Clip-on Single extension
- Concealed slide
- Load capacity of 30kg
- Smooth rolling mechanism
- Quick assembly
- Up and down , left and right , front and back , 6 dimensional adjustment

Item code	Nominal length	🛡️
CL22D1.2703.ZP	270mm	10Sets
CL22D1.3003.ZP	300mm	10Sets
CL22D1.3503.ZP	350mm	10Sets
CL22D1.4003.ZP	400mm	10Sets
CL22D1.4503.ZP	450mm	10Sets
CL22D1.5003.ZP	500mm	10Sets
CL22D1.5503.ZP	550mm	10Sets

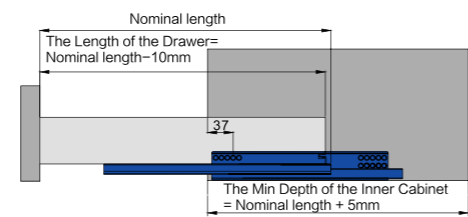
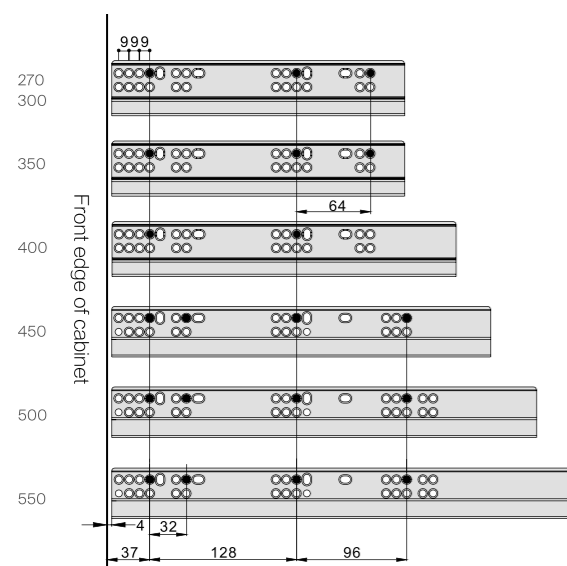
Space required



Cutting size



Runner Installation



CONCEALED SLIDE

-For 18mm side panel



3D Single extension with soft-closing

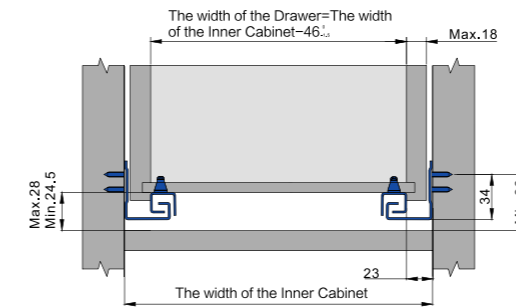


→ FEATURES

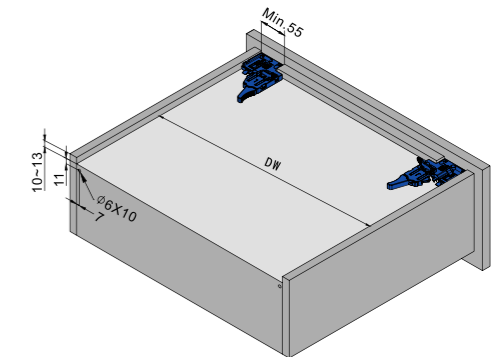
- Clip-on Single extension
- Concealed slide
- Load capacity of 30kg
- Smooth rolling mechanism
- Quick assembly
- Up and down , left and right , front and back , 6 dimensional adjustment

Item code	Nominal length	🛡️
CL22D2.2703.ZP	270mm	10Sets
CL22D2.3003.ZP	300mm	10Sets
CL22D2.3503.ZP	350mm	10Sets
CL22D2.4003.ZP	400mm	10Sets
CL22D2.4503.ZP	450mm	10Sets
CL22D2.5003.ZP	500mm	10Sets
CL22D2.5503.ZP	550mm	10Sets

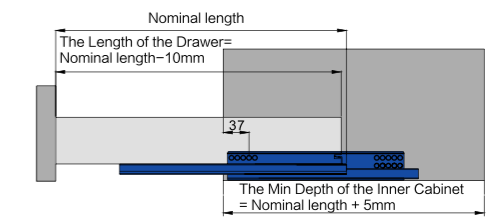
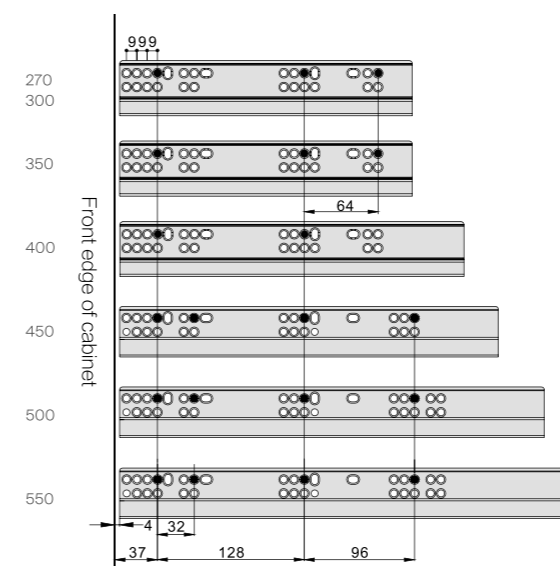
Space required



Cutting size



Runner Installation



CONCEALED SLIDE

-For 16mm side panel

Design Rebound

3D Full extension with rebound

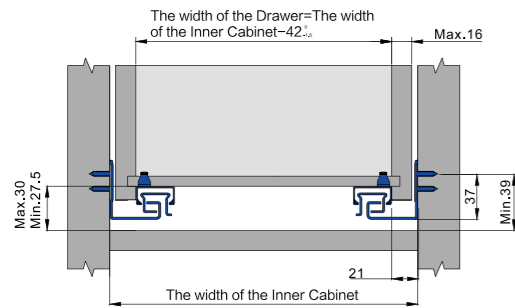


→ FEATURES

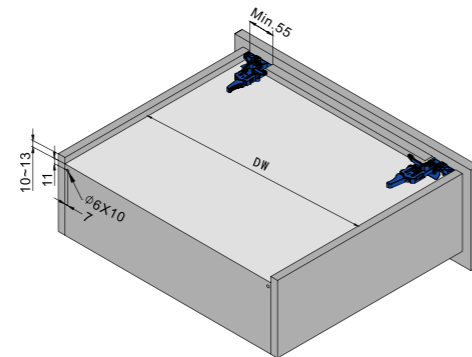
- Full extension rebound conceal slide
- Synchronized concealed slide
- Load capacity of 30kg
- Smooth rolling mechanism
- Quick assembly
- Up and down , left and right , front and back , 6 dimensional adjustment

Item code	Nominal length	☑
CL14E1.250N3.ZP	250mm	10Sets
CL14E1.2703.ZP	270mm	10Sets
CL14E1.3003.ZP	300mm	10Sets
CL14E1.3503.ZP	350mm	10Sets
CL14E1.4003.ZP	400mm	10Sets
CL14E1.4503.ZP	450mm	10Sets
CL14E1.5003.ZP	500mm	10Sets
CL14E1.5503.ZP	550mm	10Sets

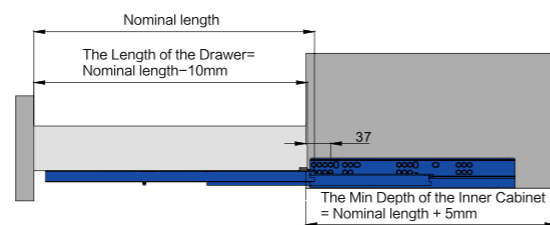
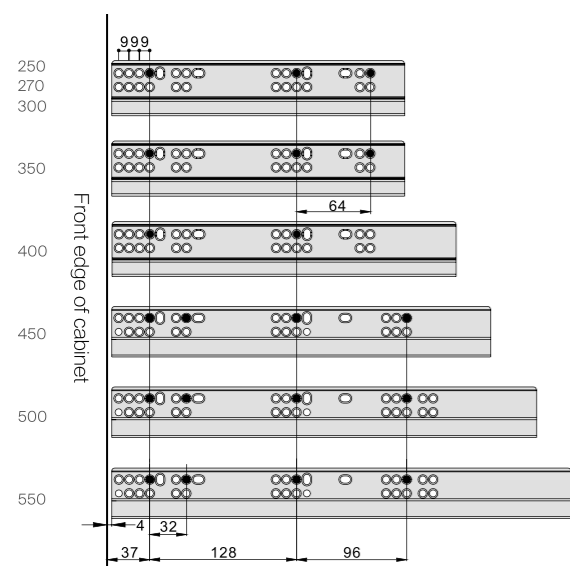
Space required



Cutting size



Runner Installation



CONCEALED SLIDE

-For 18mm side panel

Design Rebound

3D Full extension with rebound

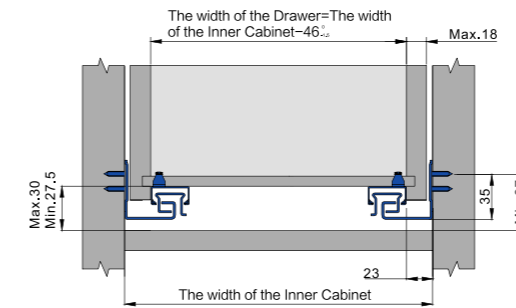


→ FEATURES

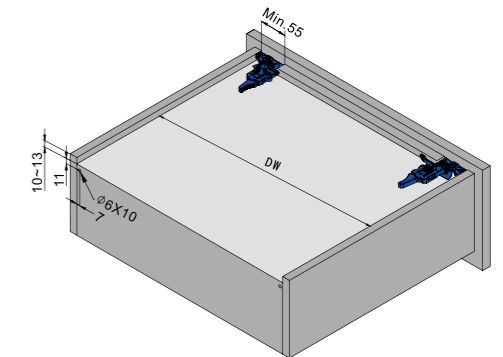
- Full extension rebound conceal slide
- Synchronized concealed slide
- Load capacity of 30kg
- Smooth rolling mechanism
- Quick assembly
- Up and down , left and right , front and back , 6 dimensional adjustment

Item code	Nominal length	☑
CL14E2.250N3.ZP	250mm	10Sets
CL14E2.2703.ZP	270mm	10Sets
CL14E2.3003.ZP	300mm	10Sets
CL14E2.3503.ZP	350mm	10Sets
CL14E2.4003.ZP	400mm	10Sets
CL14E2.4503.ZP	450mm	10Sets
CL14E2.5003.ZP	500mm	10Sets
CL14E2.5503.ZP	550mm	10Sets

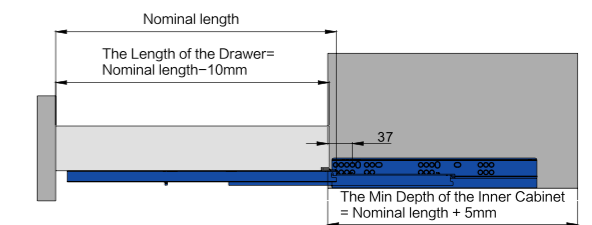
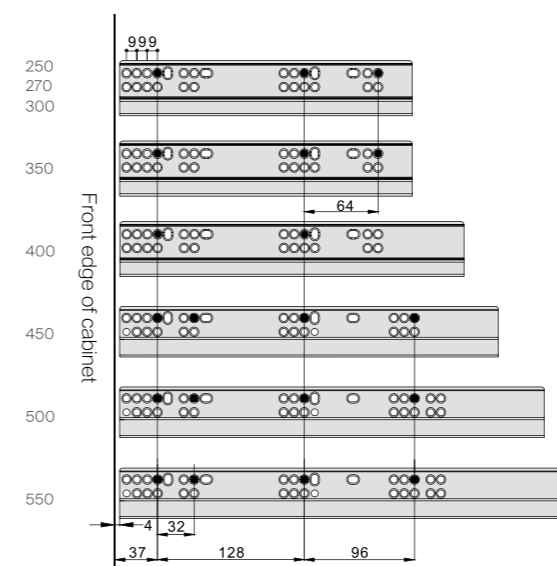
Space required



Cutting size



Runner Installation



CONCEALED SLIDE

-For 16mm side panel



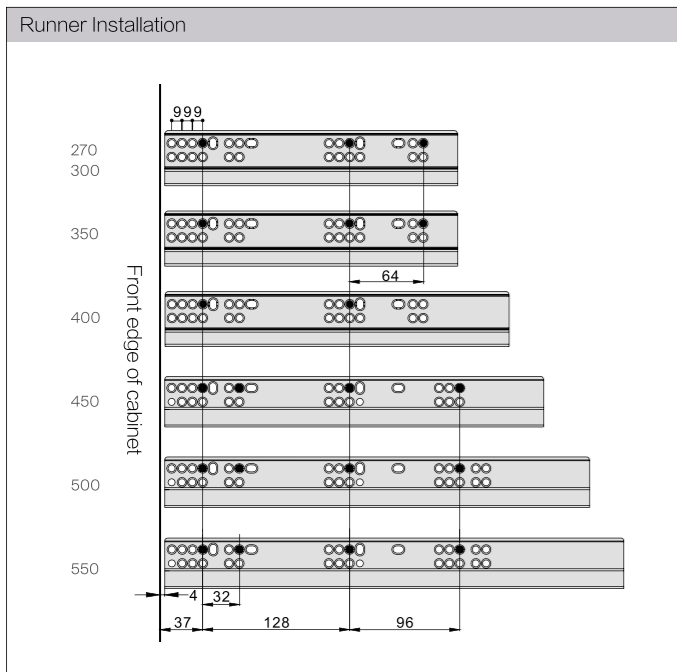
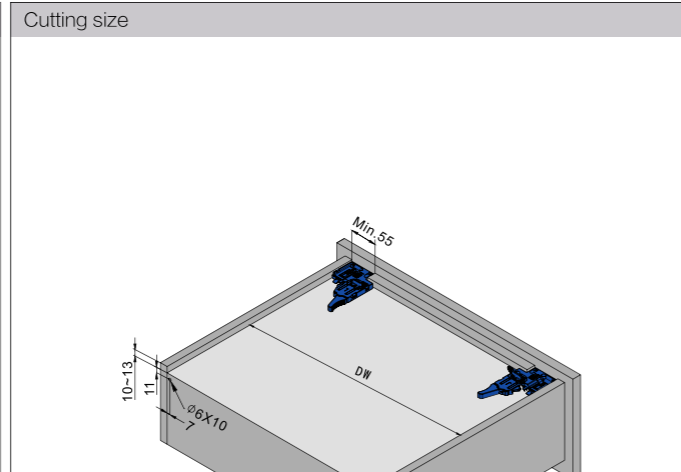
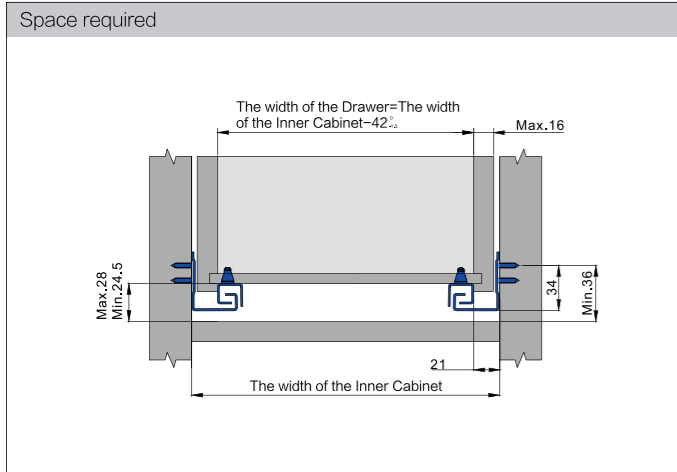
3D Single extension with rebound



→ FEATURES

- Single extension rebound conceal slide
- Concealed slide
- Load capacity of 30kg
- Smooth rolling mechanism
- Quick assembly
- Up and down , left and right , front and back , 6 dimensional adjustment

Item code	Nominal length	🛡️
CL24D1.2703.ZP	270mm	10Sets
CL24D1.3003.ZP	300mm	10Sets
CL24D1.3503.ZP	350mm	10Sets
CL24D1.4003.ZP	400mm	10Sets
CL24D1.4503.ZP	450mm	10Sets
CL24D1.5003.ZP	500mm	10Sets
CL24D1.5503.ZP	550mm	10Sets



CONCEALED SLIDE

-For 18mm side panel



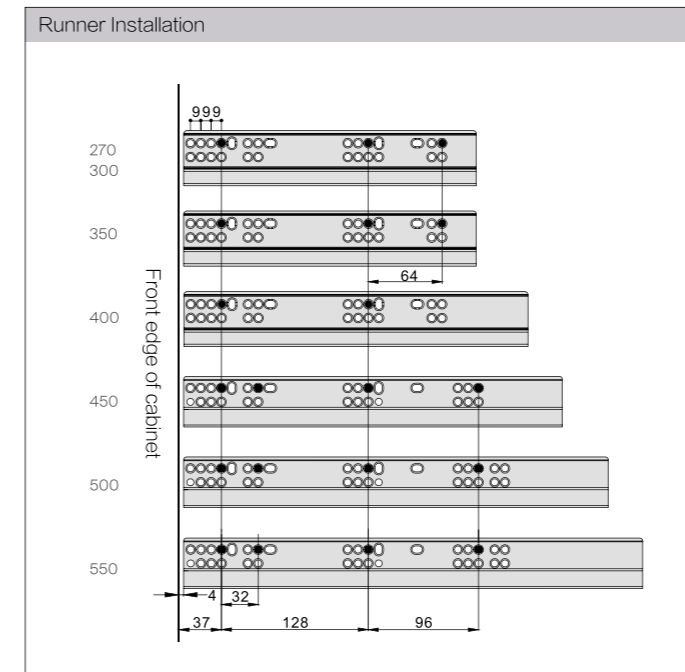
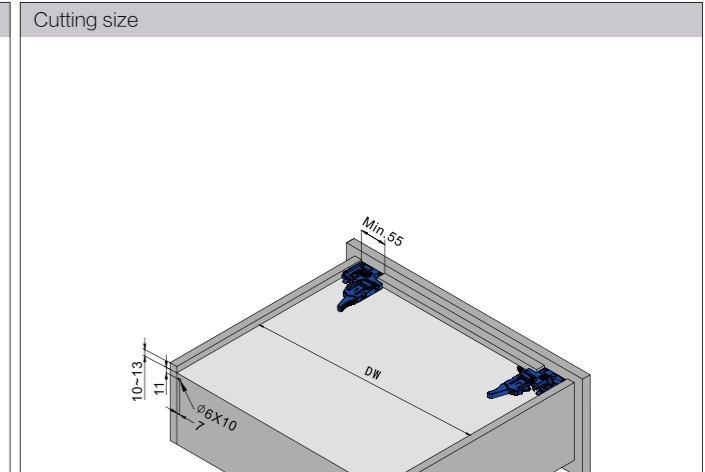
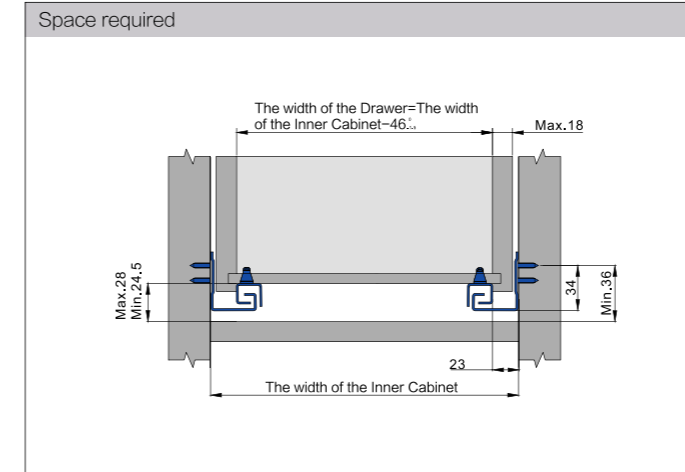
3D Single extension with rebound



→ FEATURES

- Single extension rebound conceal slide
- Concealed slide
- Load capacity of 30kg
- Smooth rolling mechanism
- Quick assembly
- Up and down , left and right , front and back , 6 dimensional adjustment

Item code	Nominal length	🛡️
CL24D2.2703.ZP	270mm	10Sets
CL24D2.3003.ZP	300mm	10Sets
CL24D2.3503.ZP	350mm	10Sets
CL24D2.4003.ZP	400mm	10Sets
CL24D2.4503.ZP	450mm	10Sets
CL24D2.5003.ZP	500mm	10Sets
CL24D2.5503.ZP	550mm	10Sets



CONCEALED SLIDE

-For 16mm side panel



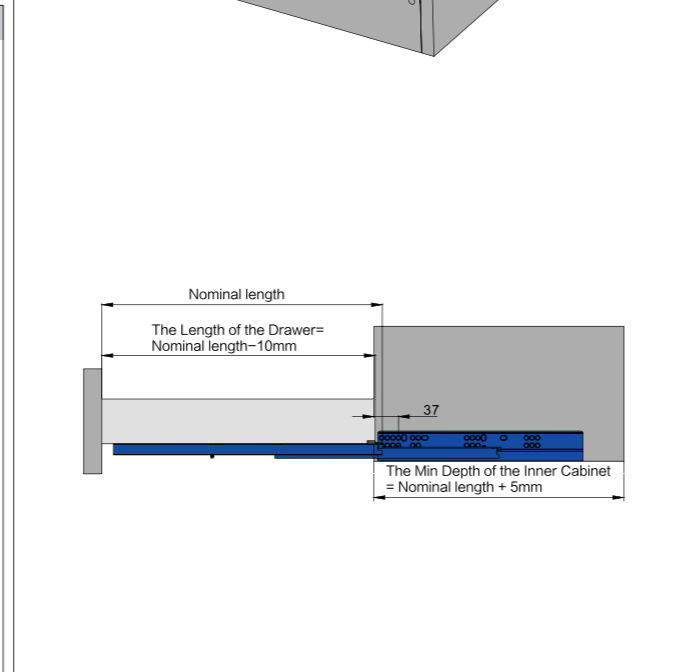
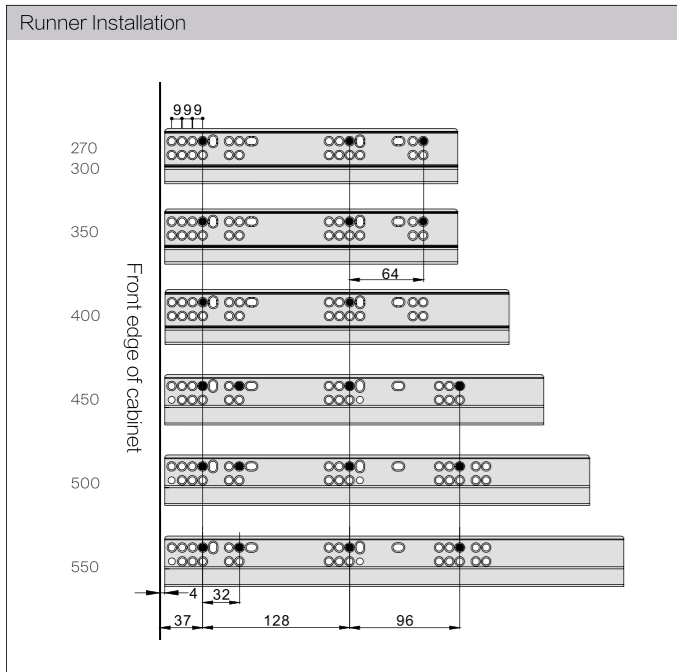
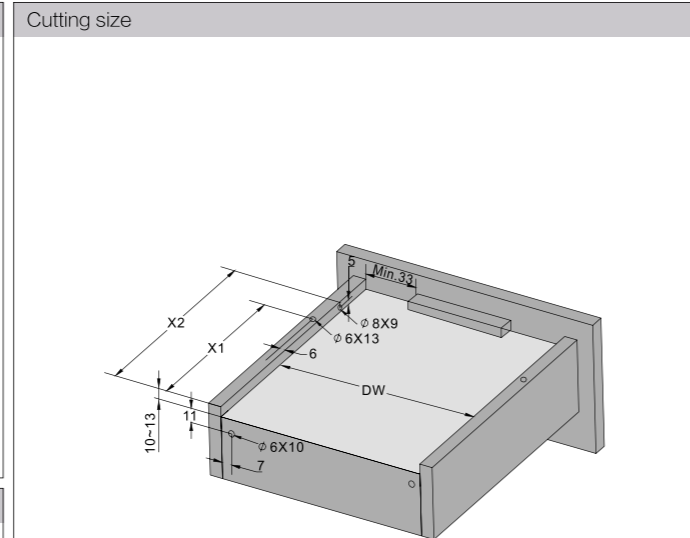
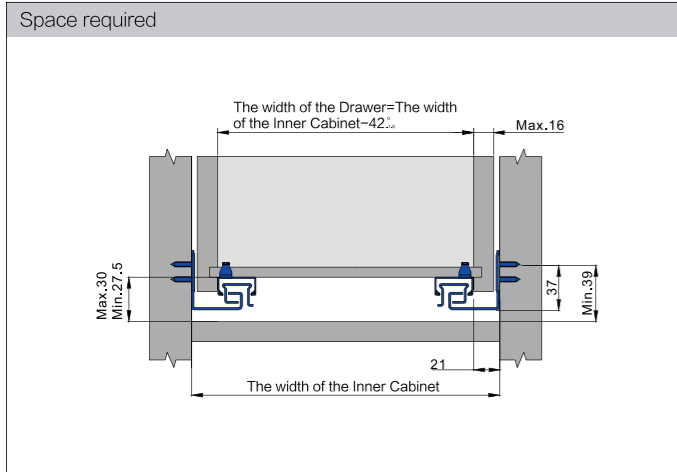
Full extension with soft-closing



→ FEATURES

- Full extension
- Synchronized concealed slide
- Load capacity of 30kg
- Smooth rolling mechanism
- Quick assembly
- Optional for Huggen PTO system

Item code	with huggen PTO system	Nominal length	X1	X2	☑
CL11E1.270.ZP	CL15E1.270.ZP	270mm	205mm	248mm	10Sets
CL11E1.300.ZP	CL15E1.300.ZP	300mm	230mm	275mm	10Sets
CL11E1.350.ZP	CL15E1.350.ZP	350mm	275mm	320mm	10Sets
CL11E1.400.ZP	CL15E1.400.ZP	400mm	300mm	376mm	10Sets
CL11E1.450.ZP	CL15E1.450.ZP	450mm	335mm	421mm	10Sets
CL11E1.500.ZP	CL15E1.500.ZP	500mm	360mm	466mm	10Sets
CL11E1.550.ZP	CL15E1.550.ZP	550mm	405mm	511mm	10Sets



*For more detail of huggen PTO system, see page 095-098.

CONCEALED SLIDE

-For 18mm side panel



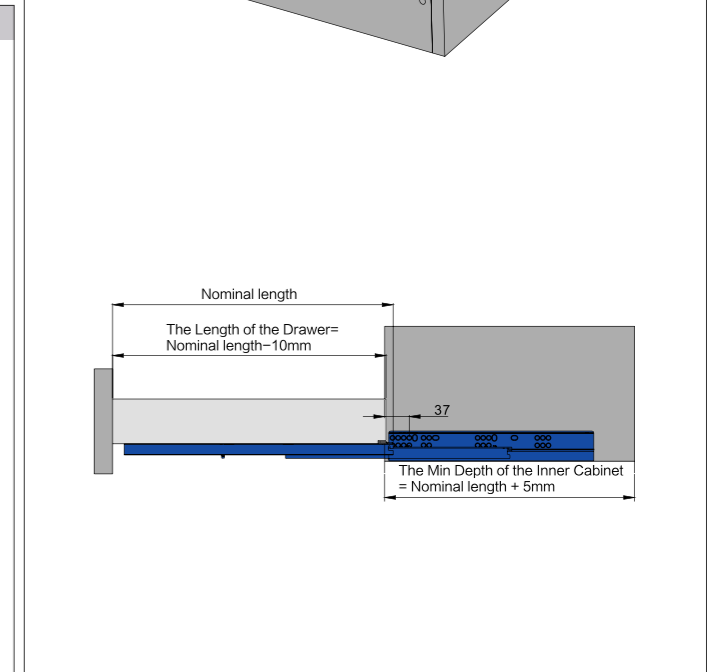
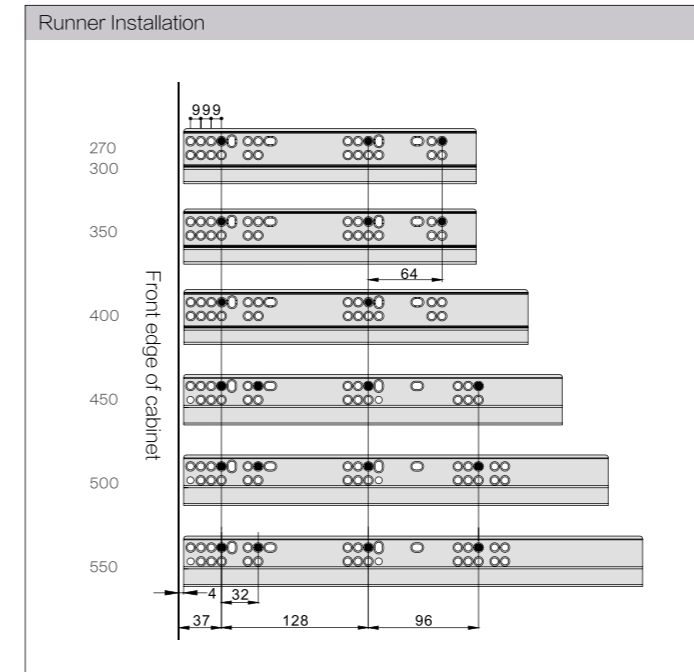
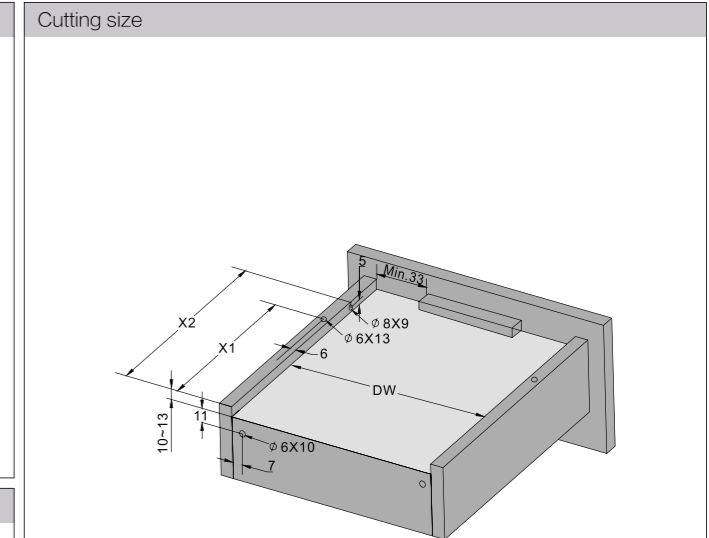
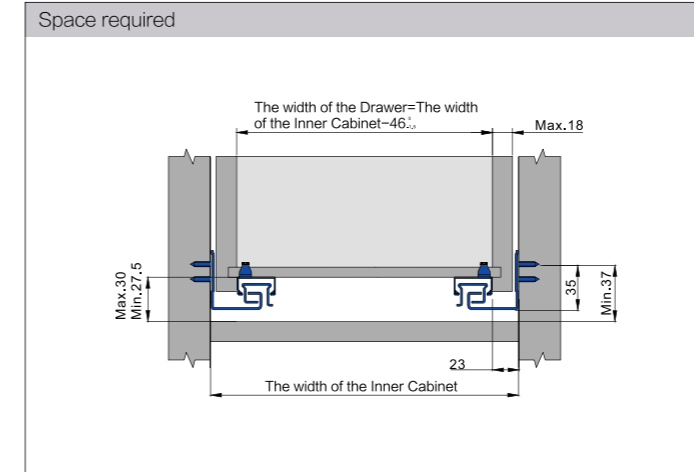
Full extension with soft-closing



→ FEATURES

- Full extension
- Synchronized concealed slide
- Load capacity of 30kg
- Smooth rolling mechanism
- Quick assembly
- Optional for Huggen PTO system

Item code	with huggen PTO system	Nominal length	X1	X2	☑
CL11E2.270.ZP	CL15E2.270.ZP	270mm	205mm	248mm	10Sets
CL11E2.300.ZP	CL15E2.300.ZP	300mm	230mm	275mm	10Sets
CL11E2.350.ZP	CL15E2.350.ZP	350mm	275mm	320mm	10Sets
CL11E2.400.ZP	CL15E2.400.ZP	400mm	300mm	376mm	10Sets
CL11E2.450.ZP	CL15E2.450.ZP	450mm	335mm	421mm	10Sets
CL11E2.500.ZP	CL15E2.500.ZP	500mm	360mm	466mm	10Sets
CL11E2.550.ZP	CL15E2.550.ZP	550mm	405mm	511mm	10Sets



*For more detail of huggen PTO system, see page 095-098.

CONCEALED SLIDE

-For 16mm side panel



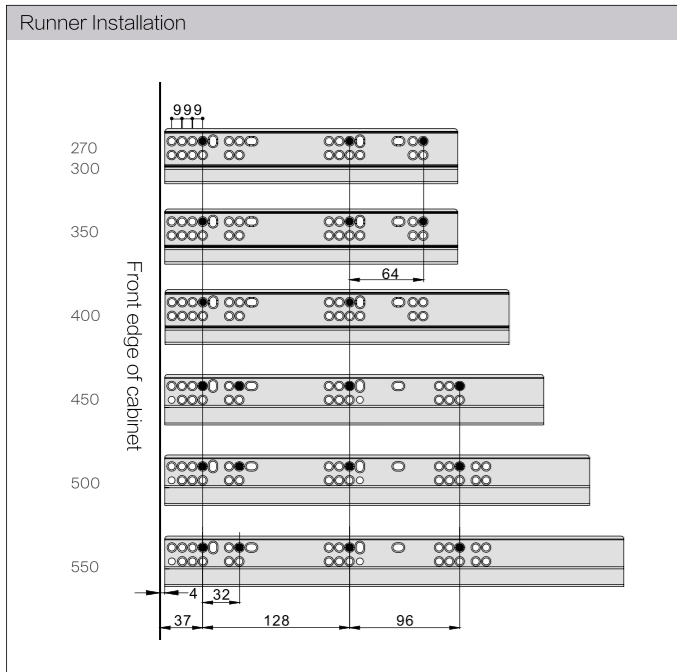
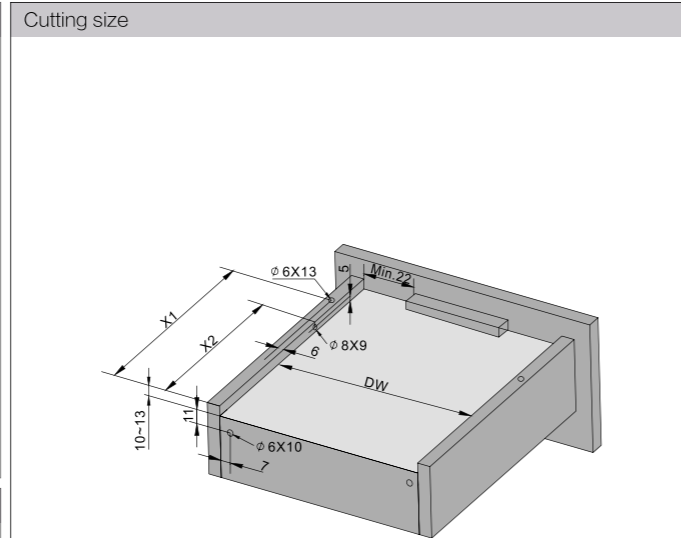
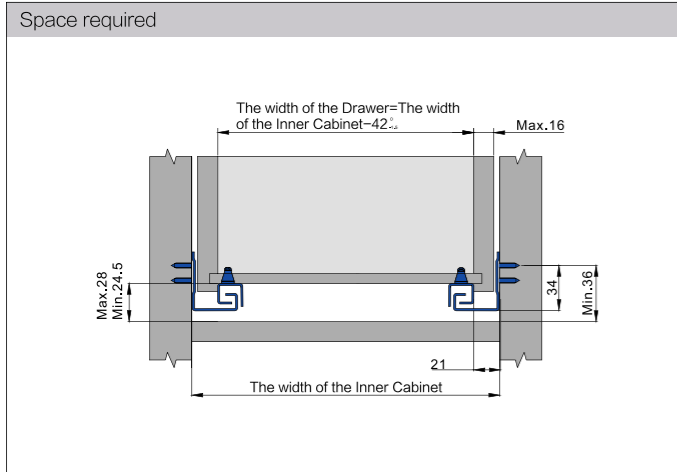
Single extension with soft-closing



→ FEATURES

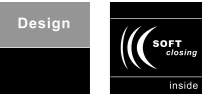
- Single extension
- Concealed slide
- Load capacity of 30kg
- Smooth rolling mechanism
- Quick assembly

Item code	Nominal length	X1	X2	☑
CL21D1.270.ZP	270mm	205mm	185mm	10Sets
CL21D1.300.ZP	300mm	230mm	210mm	10Sets
CL21D1.350.ZP	350mm	275mm	255mm	10Sets
CL21D1.400.ZP	400mm	300mm	280mm	10Sets
CL21D1.450.ZP	450mm	335mm	315mm	10Sets
CL21D1.500.ZP	500mm	360mm	340mm	10Sets
CL21D1.550.ZP	550mm	405mm	385mm	10Sets



CONCEALED SLIDE

-For 18mm side panel



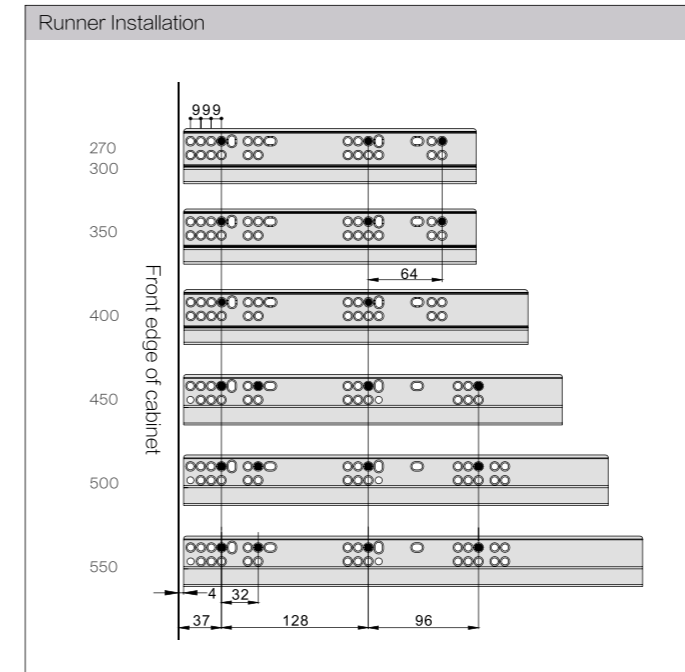
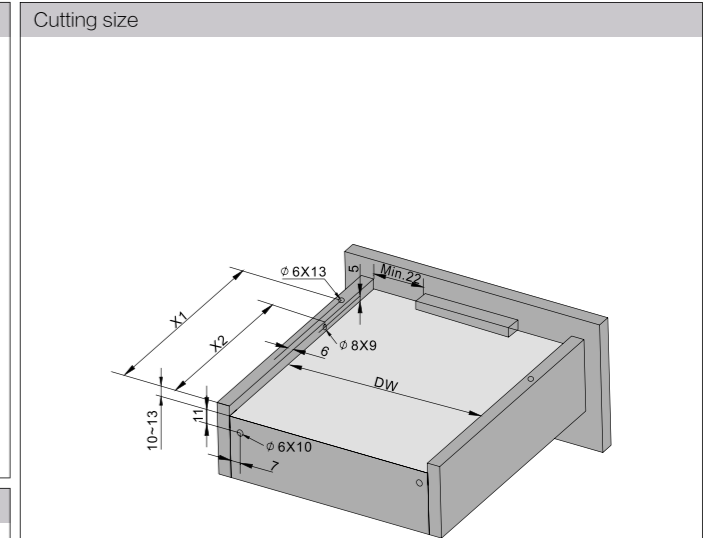
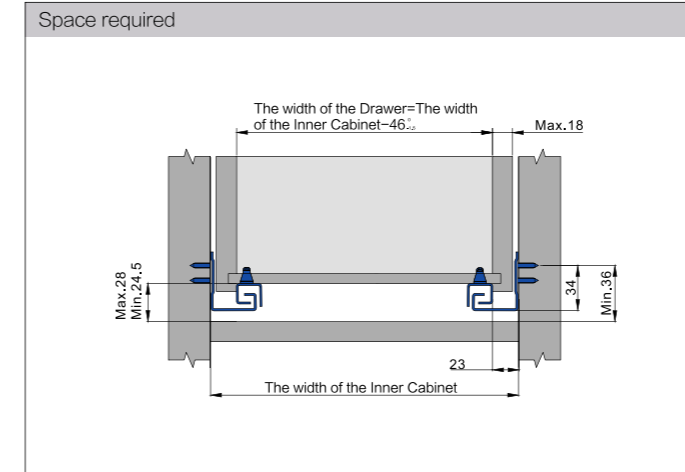
Single extension with soft-closing



→ FEATURES

- Single extension
- Concealed slide
- Load capacity of 30kg
- Smooth rolling mechanism
- Quick assembly

Item code	Nominal length	X1	X2	☑
CL21D1.270.ZP	270mm	205mm	185mm	10Sets
CL21D1.300.ZP	300mm	230mm	210mm	10Sets
CL21D1.350.ZP	350mm	275mm	255mm	10Sets
CL21D1.400.ZP	400mm	300mm	280mm	10Sets
CL21D1.450.ZP	450mm	335mm	315mm	10Sets
CL21D1.500.ZP	500mm	360mm	340mm	10Sets
CL21D1.550.ZP	550mm	405mm	385mm	10Sets



CONCEALED SLIDE

-For 16mm side panel



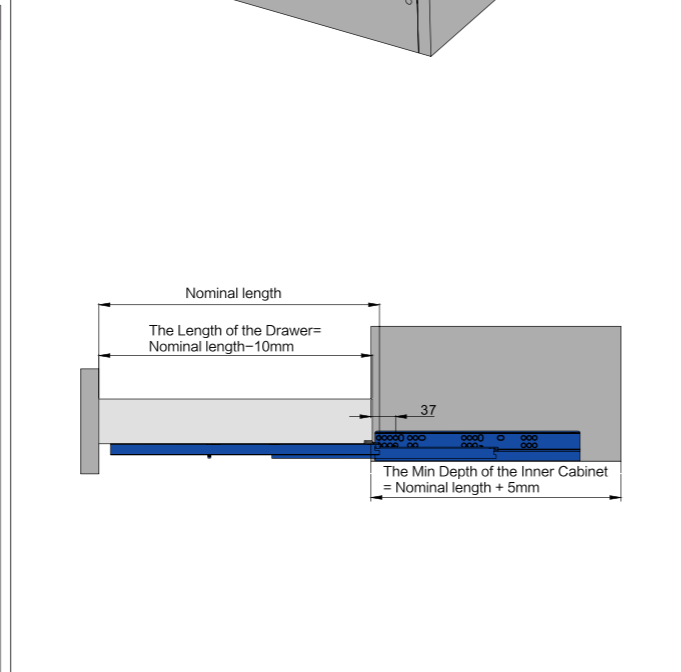
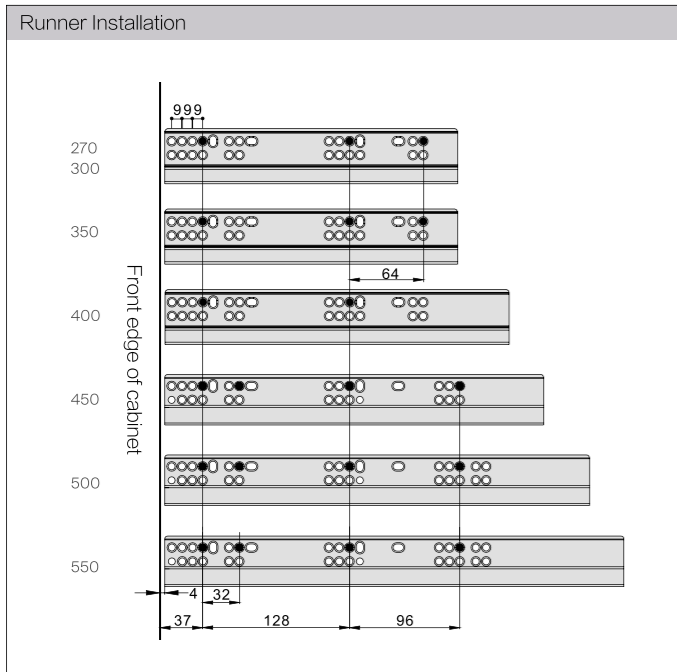
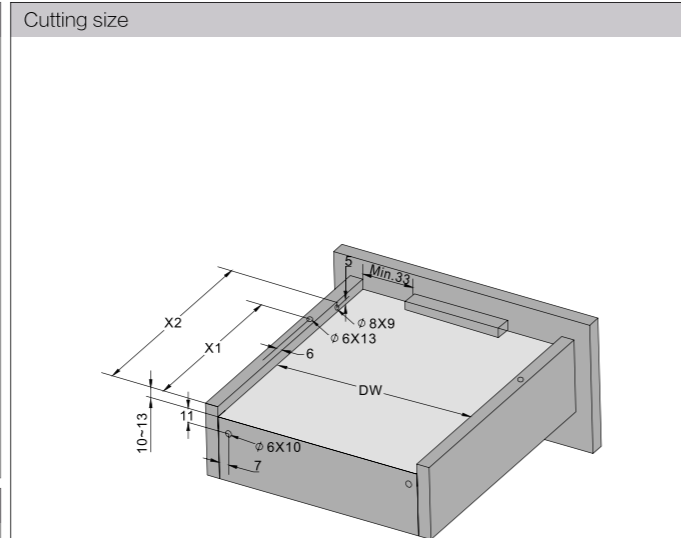
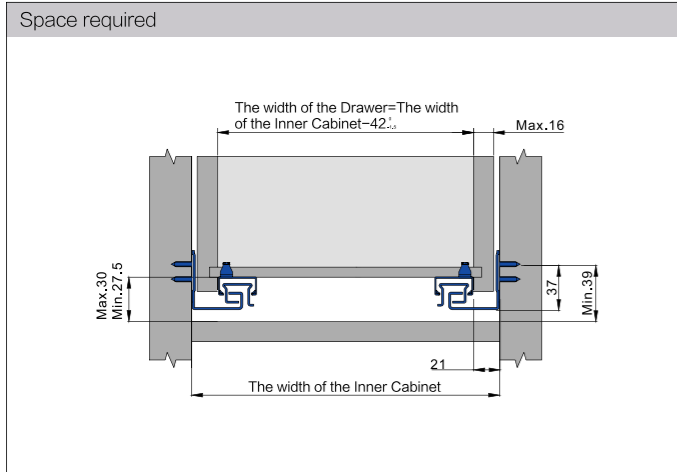
Full extension with rebound



→ FEATURES

- Full extension rebound concealed slide
- Synchronized concealed slide
- Load capacity of 30kg
- Smooth rolling mechanism
- Quick assembly

Item code	Nominal length	X1	X2	📦
CL13E1.270.ZP	270mm	205mm	248mm	10Sets
CL13E1.300.ZP	300mm	230mm	275mm	10Sets
CL13E1.350.ZP	350mm	275mm	320mm	10Sets
CL13E1.400.ZP	400mm	300mm	376mm	10Sets
CL13E1.450.ZP	450mm	335mm	421mm	10Sets
CL13E1.500.ZP	500mm	360mm	466mm	10Sets
CL13E1.550.ZP	550mm	405mm	511mm	10Sets



CONCEALED SLIDE

-For 18mm side panel



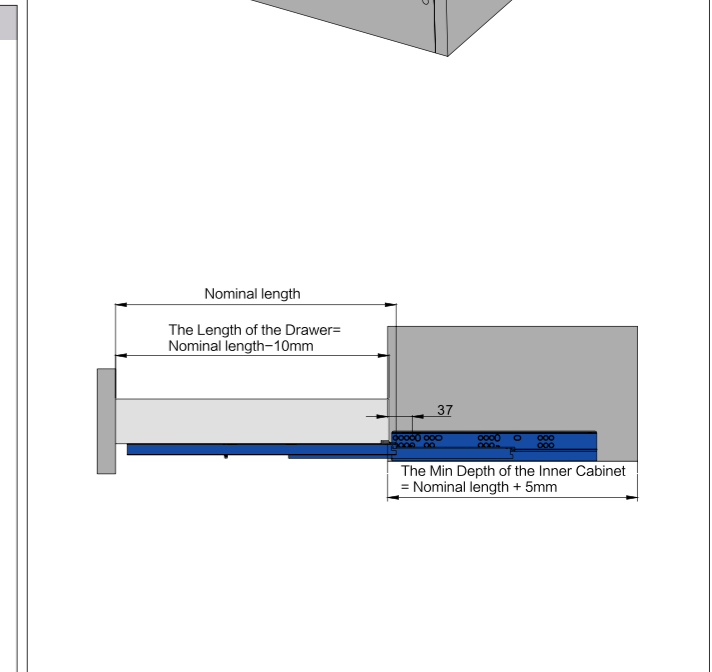
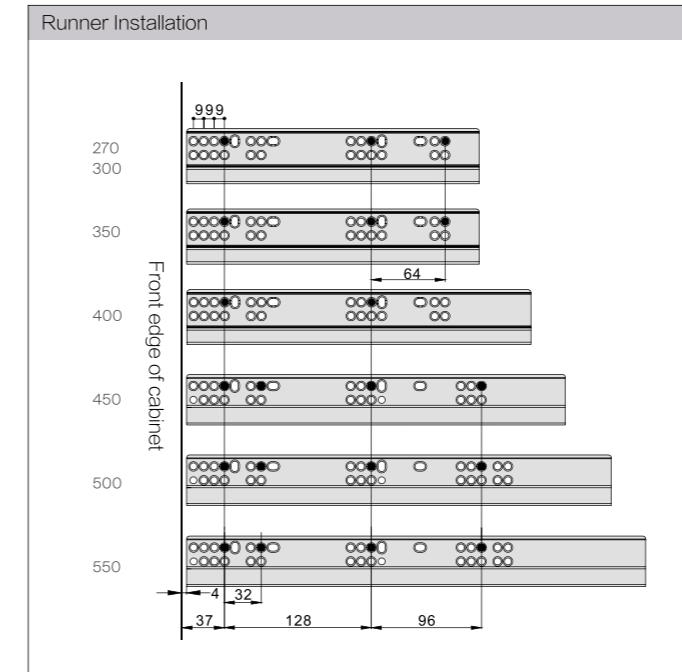
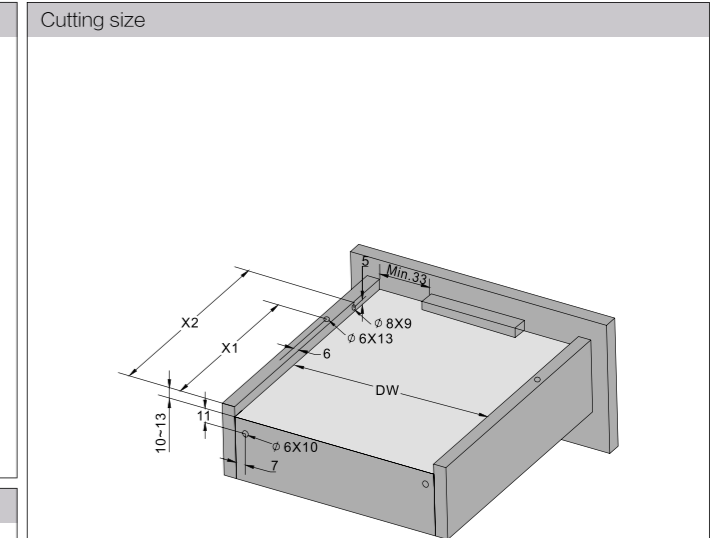
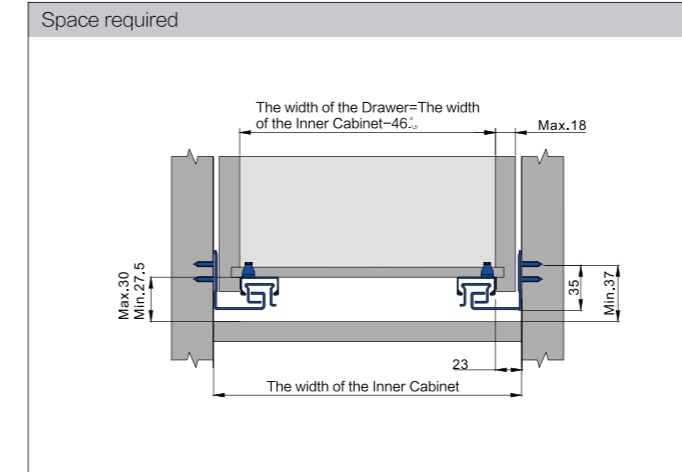
Full extension with rebound



→ FEATURES

- Full extension rebound concealed slide
- Synchronized concealed slide
- Load capacity of 30kg
- Smooth rolling mechanism
- Quick assembly

Item code	Nominal length	X1	X2	📦
CL13E2.270.ZP	270mm	205mm	248mm	10Sets
CL13E2.300.ZP	300mm	230mm	275mm	10Sets
CL13E2.350.ZP	350mm	275mm	320mm	10Sets
CL13E2.400.ZP	400mm	300mm	376mm	10Sets
CL13E2.450.ZP	450mm	335mm	421mm	10Sets
CL13E2.500.ZP	500mm	360mm	466mm	10Sets
CL13E2.550.ZP	550mm	405mm	511mm	10Sets



CONCEALED SLIDE

-For 16mm side panel



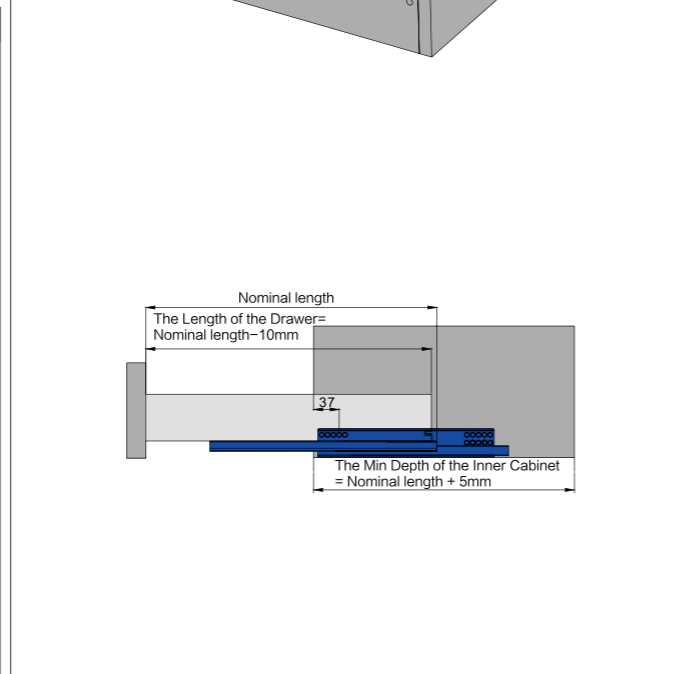
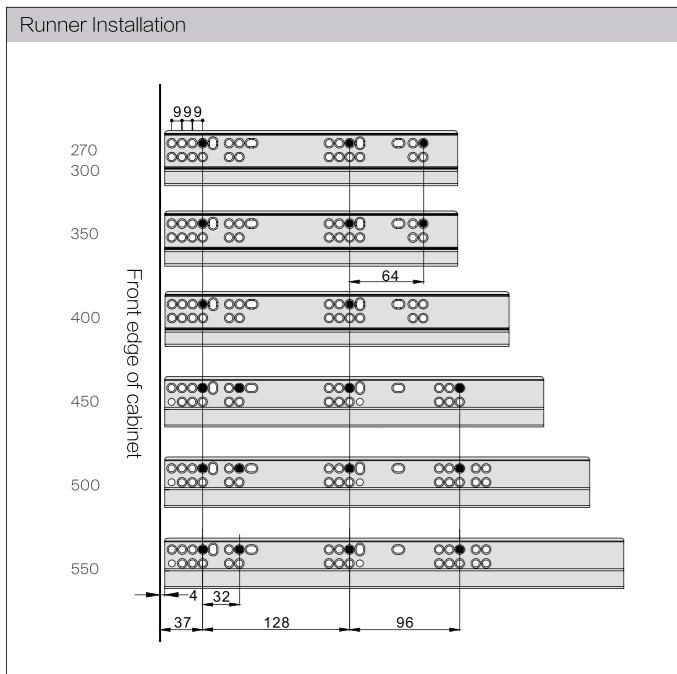
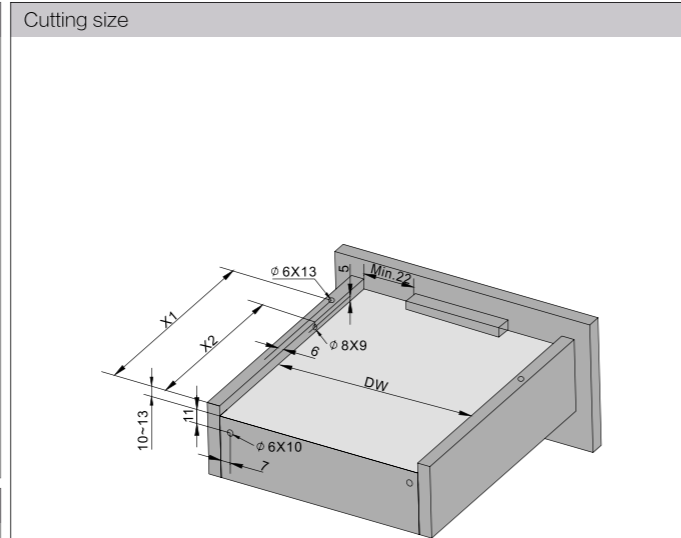
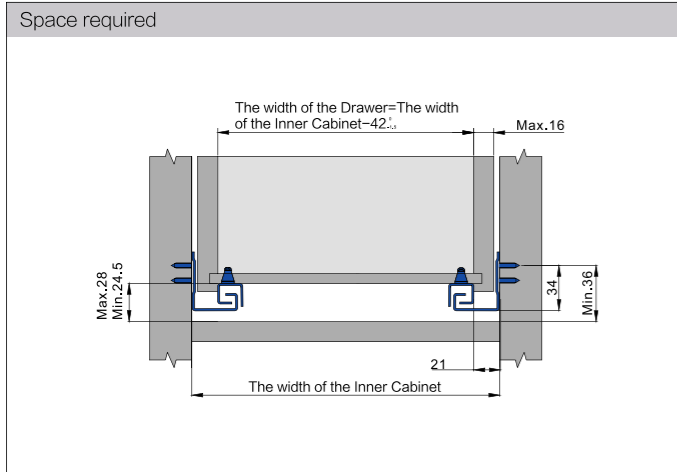
Single extension with rebound



→ FEATURES

- Single extension rebound concealed slide
- Concealed slide
- Load capacity of 30kg
- Smooth rolling mechanism
- Quick assembly

Item code	Nominal length	X1	X2	
CL23D2.270.ZP	270mm	205mm	185mm	10Sets
CL23D2.300.ZP	300mm	230mm	210mm	10Sets
CL23D2.350.ZP	350mm	275mm	255mm	10Sets
CL23D2.400.ZP	400mm	300mm	280mm	10Sets
CL23D2.450.ZP	450mm	335mm	315mm	10Sets
CL23D2.500.ZP	500mm	360mm	340mm	10Sets
CL23D2.550.ZP	550mm	405mm	385mm	10Sets



CONCEALED SLIDE

-For 18mm side panel



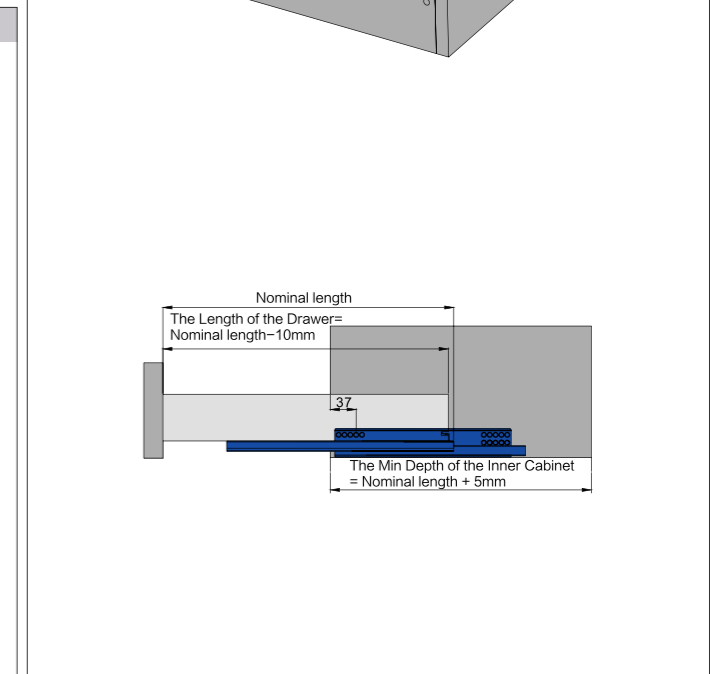
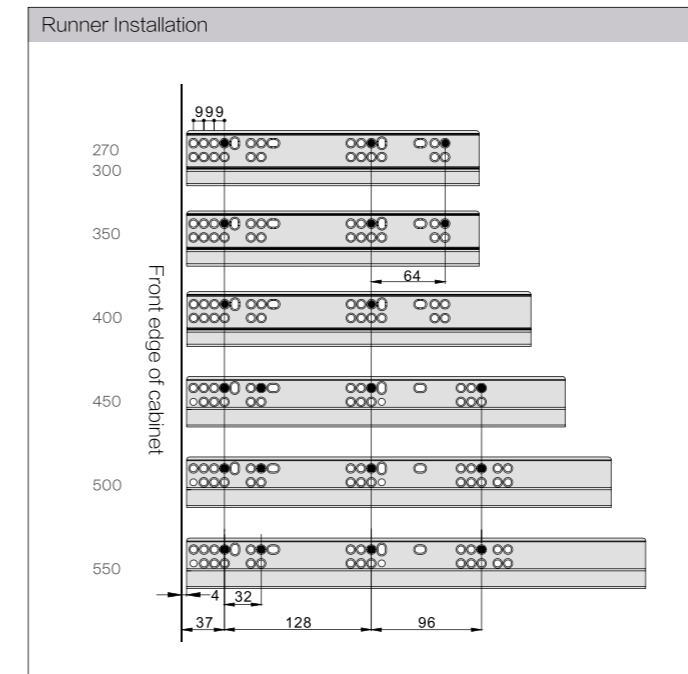
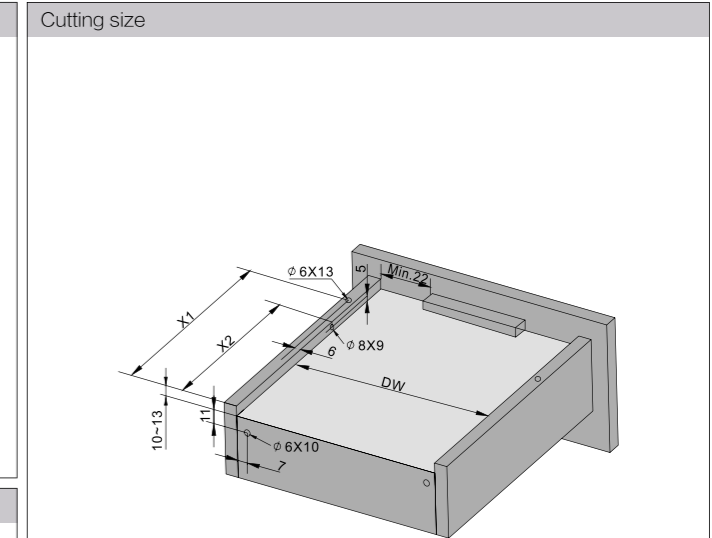
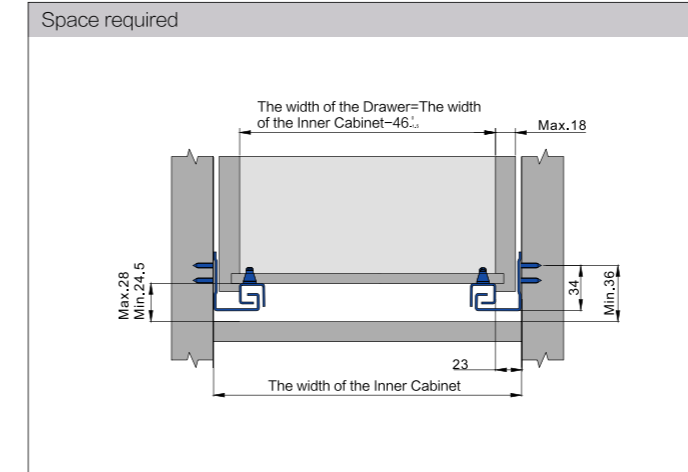
Single extension with rebound



→ FEATURES

- Single extension rebound concealed slide
- Concealed slide
- Load capacity of 30kg
- Smooth rolling mechanism
- Quick assembly

Item code	Nominal length	X1	X2	
CL23D2.270.ZP	270mm	205mm	185mm	10Sets
CL23D2.300.ZP	300mm	230mm	210mm	10Sets
CL23D2.350.ZP	350mm	275mm	255mm	10Sets
CL23D2.400.ZP	400mm	300mm	280mm	10Sets
CL23D2.450.ZP	450mm	335mm	315mm	10Sets
CL23D2.500.ZP	500mm	360mm	340mm	10Sets
CL23D2.550.ZP	550mm	405mm	385mm	10Sets



CONCEALED SLIDE

-For 16mm side panel



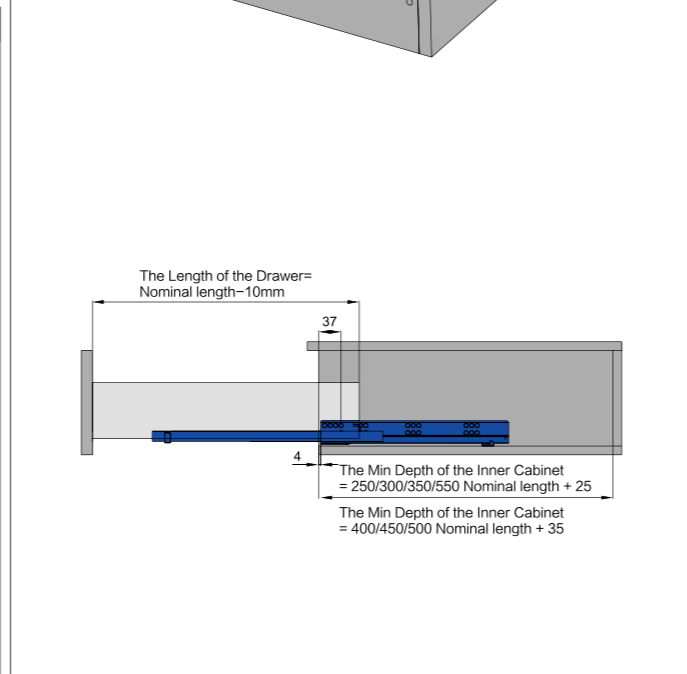
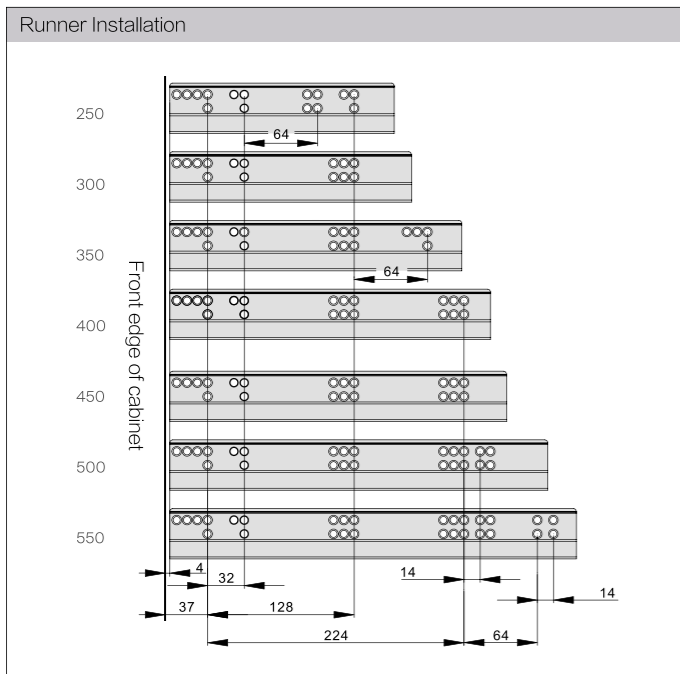
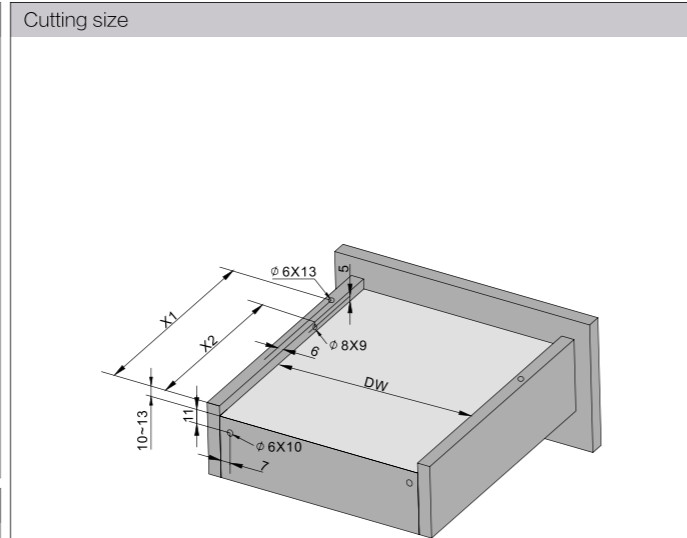
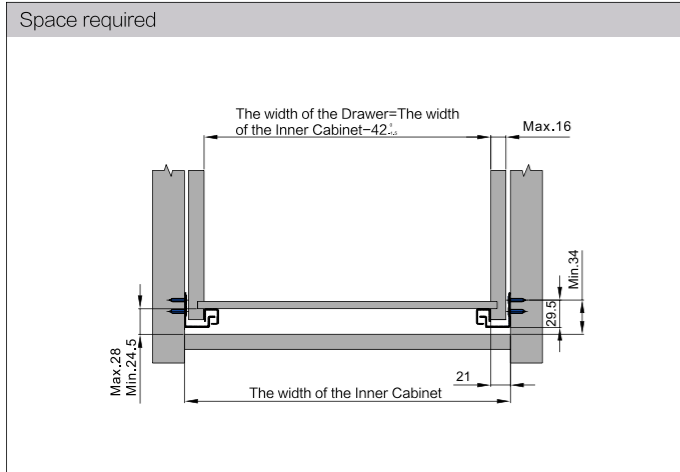
Single extension with soft-closing



→ FEATURES

- Single extension
- Concealed slide
- Load capacity of 25kg
- Smooth rolling mechanism
- Quick assembly

Item code	Nominal length	X1	X2	☑
CL31E1.250.ZP	250mm	205mm	251mm	10Sets
CL31E1.300.ZP	300mm	230mm	251mm	10Sets
CL31E1.350.ZP	350mm	275mm	255mm	10Sets
CL31E1.400.ZP	400mm	300mm	280mm	10Sets
CL31E1.450.ZP	450mm	335mm	315mm	10Sets
CL31E1.500.ZP	500mm	360mm	340mm	10Sets
CL31E1.550.ZP	550mm	405mm	385mm	10Sets



CONCEALED SLIDE

-For 19mm side panel



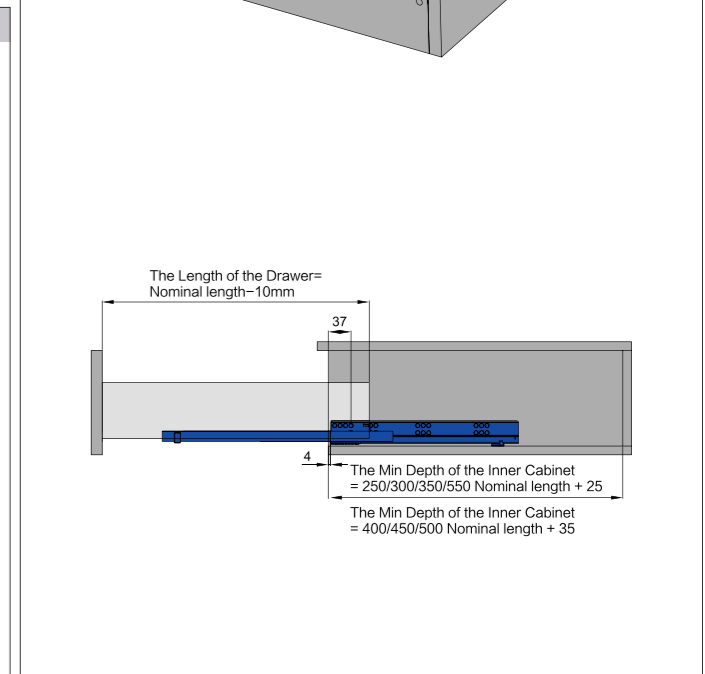
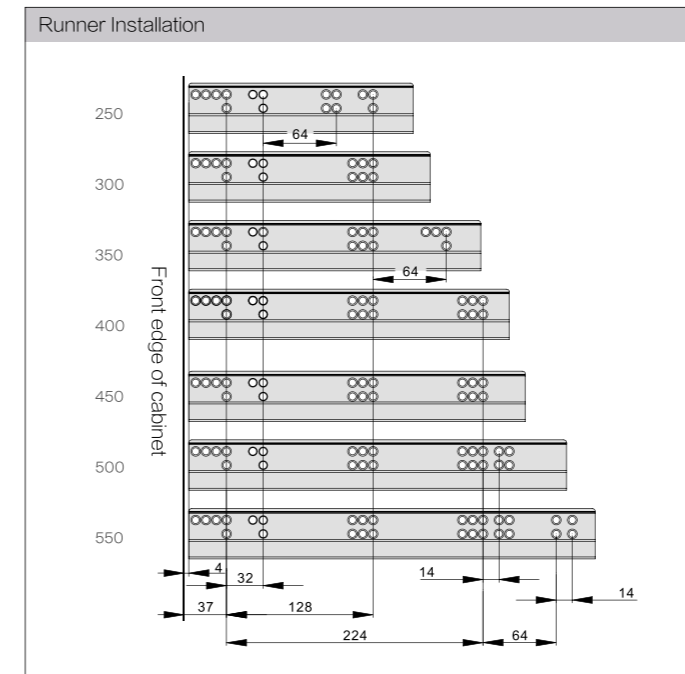
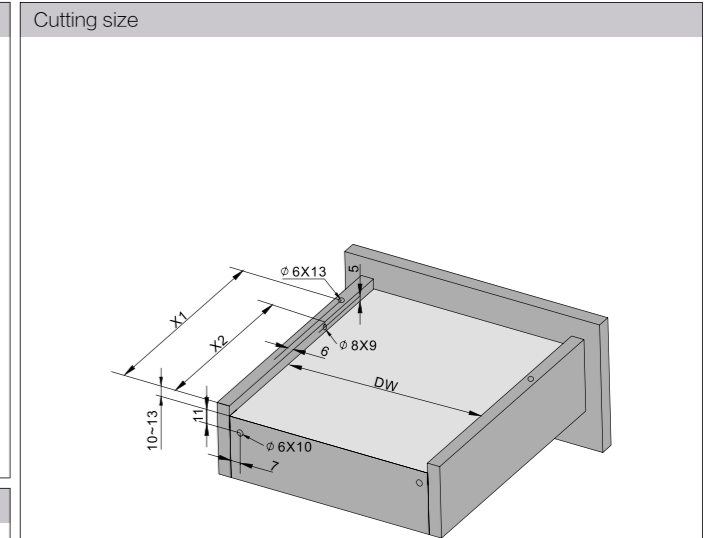
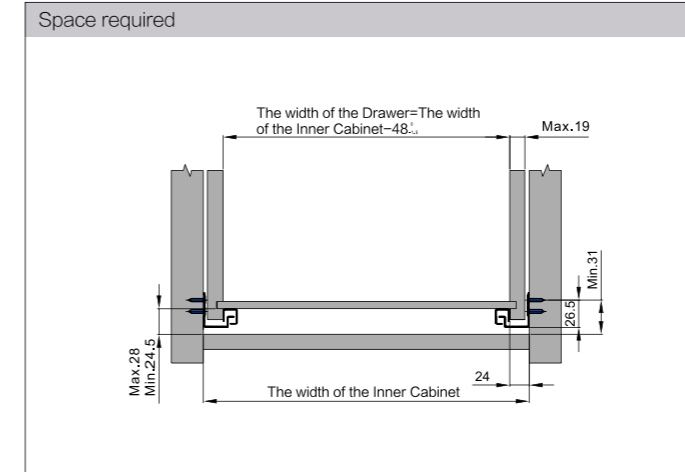
Single extension with soft-closing



→ FEATURES

- Single extension
- Concealed slide
- Load capacity of 25kg
- Smooth rolling mechanism
- Quick assembly

Item code	Nominal length	X1	X2	☑
CL31E3.250.ZP	250mm	205mm	251mm	10Sets
CL31E3.300.ZP	300mm	230mm	251mm	10Sets
CL31E3.350.ZP	350mm	275mm	255mm	10Sets
CL31E3.400.ZP	400mm	300mm	280mm	10Sets
CL31E3.450.ZP	450mm	335mm	315mm	10Sets
CL31E3.500.ZP	500mm	360mm	340mm	10Sets
CL31E3.550.ZP	550mm	405mm	385mm	10Sets



CONCEALED SLIDE

Concealed slide US frame version



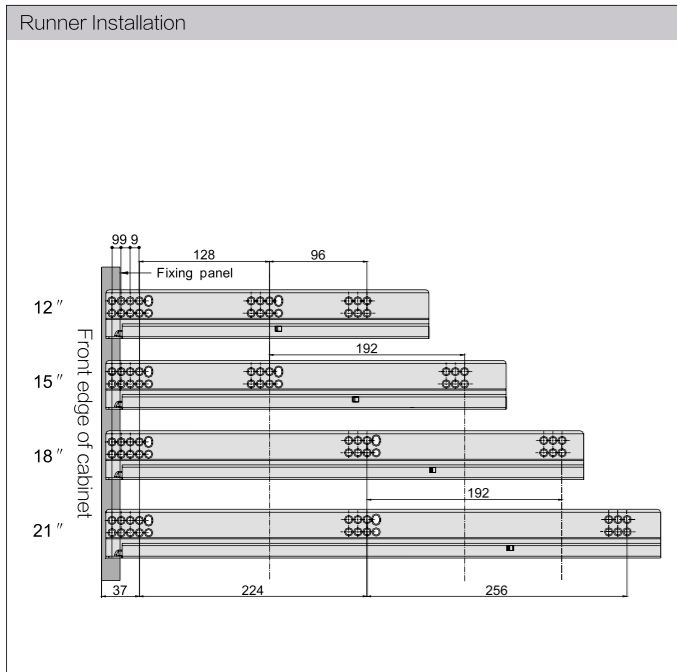
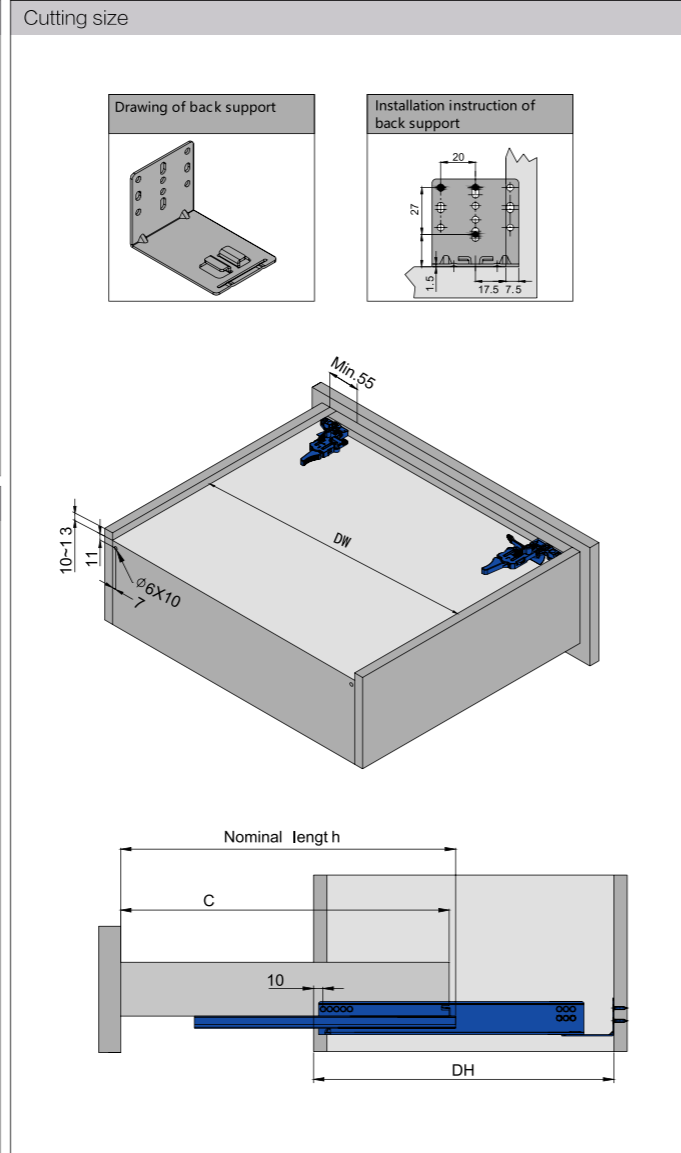
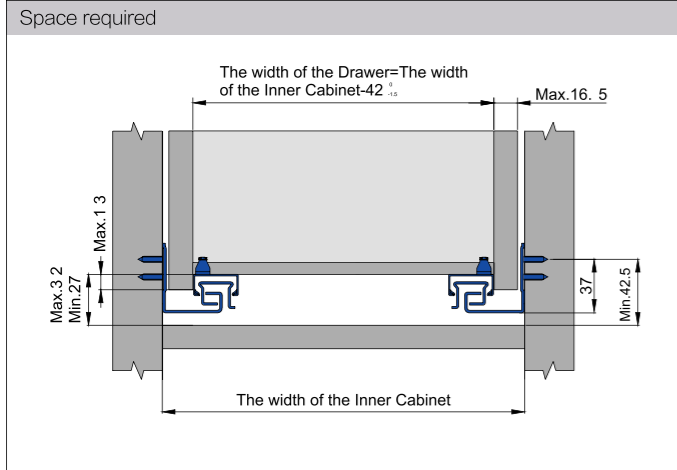
Full extension soft & self closing concealed slide US frame version of 3 Dimension adjustment function



→ FEATURES

- Concealed slide US frame Synchronized concealed slide
- Load capacity of 30kgs
- Smooth rolling mechanism
- Quick assembly

Item code	Nominal length	C	DH	☑
CLU12E1.3053.ZP	12"	305mm	330-366mm	10Sets
CLU12E1.3813.ZP	15"	381mm	406-442mm	10Sets
CLU12E1.4573.ZP	18"	457mm	482-518mm	10Sets
CLU12E1.5333.ZP	21"	533mm	558-594mm	10Sets



BALLBEARING SLIDE - High-end automatic production line make sure the quality.

BALL BEARING SLIDE



BALL BEARING SLIDE WITH SOFT AND SELF CLOSING

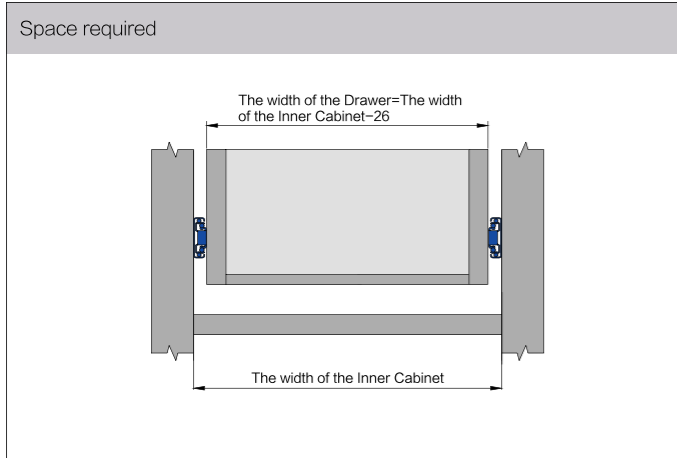


Ball bearing slide with soft and self closing



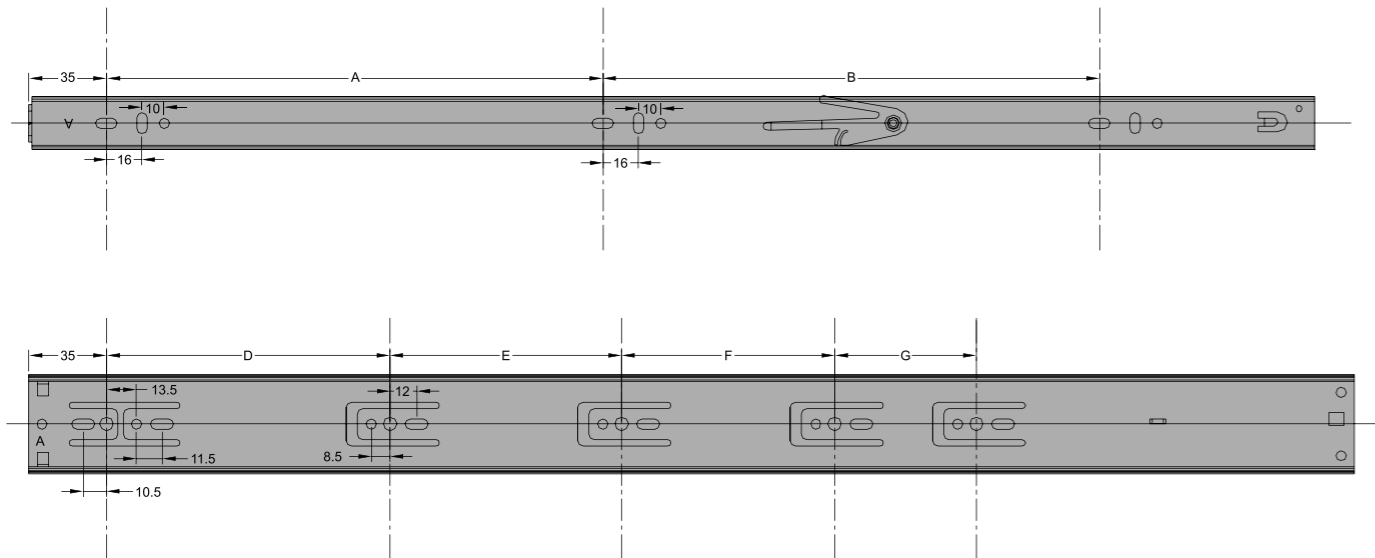
→ FEATURES

Material: High strength cold rolled steel, metal damper
 Advantage: Easy assembling, quiet, and good corrosion resistance
 Load capacity of 35kgs
 Color: Zinc plated, black plated
 Size:250/300/350/400/450/500/550/600mm
 The Min Depth of the Inner cabinet = Nominal length + 3MM



Item code	Nominal length	A (mm)	B (mm)	D (mm)	E (mm)	F (mm)	G (mm)	
DS2101.250.(*)	250mm	146		64				15Sets
DS2101.300.(*)	300mm	96	96	96				15Sets
DS2101.350.(*)	350mm	128	96	64	64			15Sets
DS2101.400.(*)	400mm	128	160	128	64			15Sets
DS2101.450.(*)	450mm	160	160	128	104.5			15Sets
DS2101.500.(*)	500mm	192	160	128	104.5	64		15Sets
DS2101.550.(*)	550mm	192	224	128	104.5	96		15Sets
DS2101.600.(*)	600mm	224	224	128	104.5	96	64	15Sets

Remarks:(A):Color: ZP /BK



PUSH-OPEN BALL BEARING SLIDE

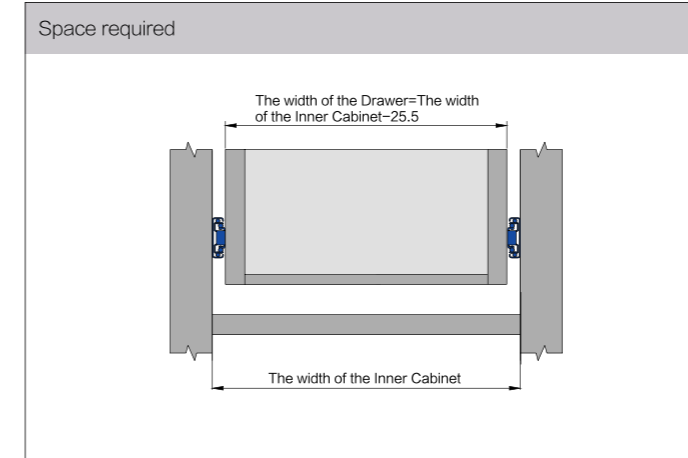


Push-open ball bearing slide



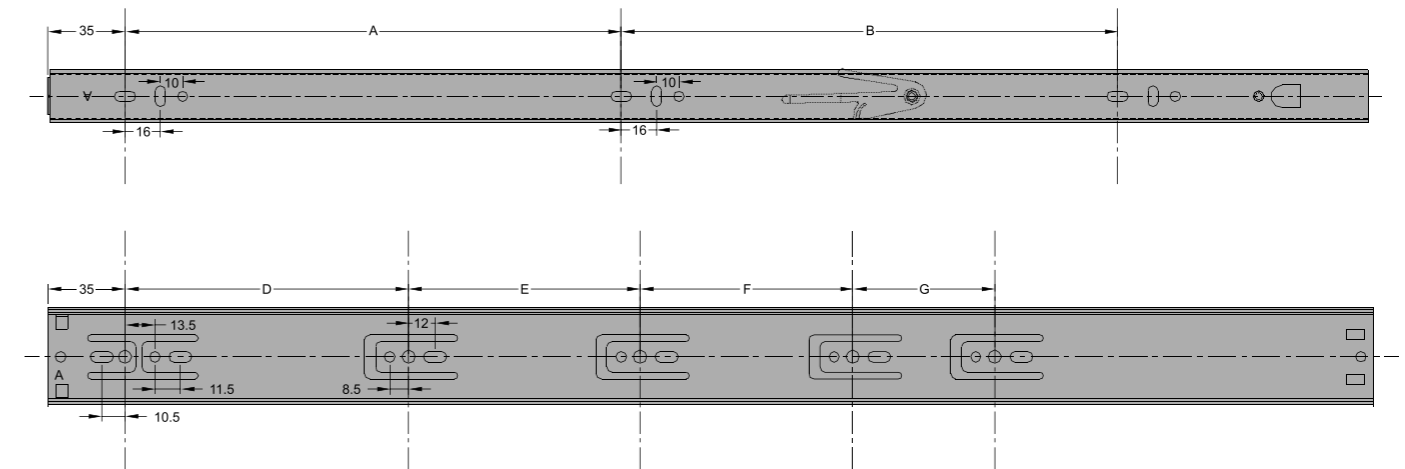
→ FEATURES

Material: High strength cold rolled steel, metal damper
 Advantage: Easy assembling, quiet, and good corrosion resistance
 Load capacity of 35kgs
 Color: Zinc plated, black plated
 Size:250/300/350/400/450/500/550/600mm
 The Min Depth of the Inner cabinet = Nominal length + 3MM
 Push-open ball bearing slide



Item code	Nominal length	A (mm)	B (mm)	D (mm)	E (mm)	F (mm)	G (mm)	
DS2201.250.(*)	250mm	146		64				15Sets
DS2201.300.(*)	300mm	96	96	96				15Sets
DS2201.350.(*)	350mm	128	96	64	64			15Sets
DS2201.400.(*)	400mm	128	160	128	64			15Sets
DS2201.450.(*)	450mm	160	160	128	104.5			15Sets
DS2201.500.(*)	500mm	192	160	128	104.5	64		15Sets
DS2201.550.(*)	550mm	192	224	128	104.5	96		15Sets
DS2201.600.(*)	600mm	224	224	128	104.5	96	64	15Sets

Remarks:(A):Color: ZP /BK



BALL BEARING SLIDE

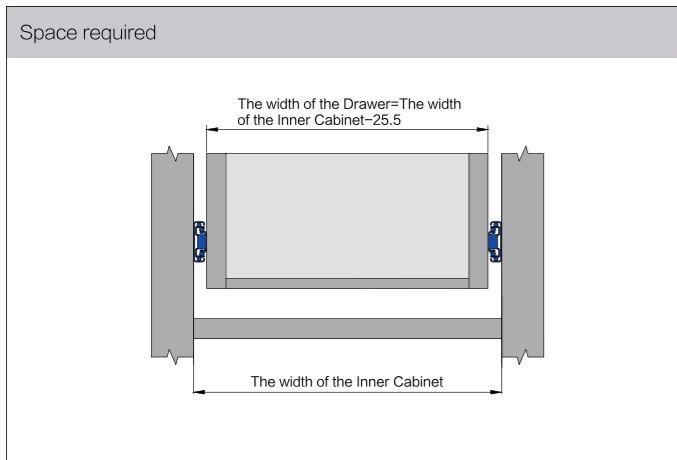
Design

Ball bearing slide



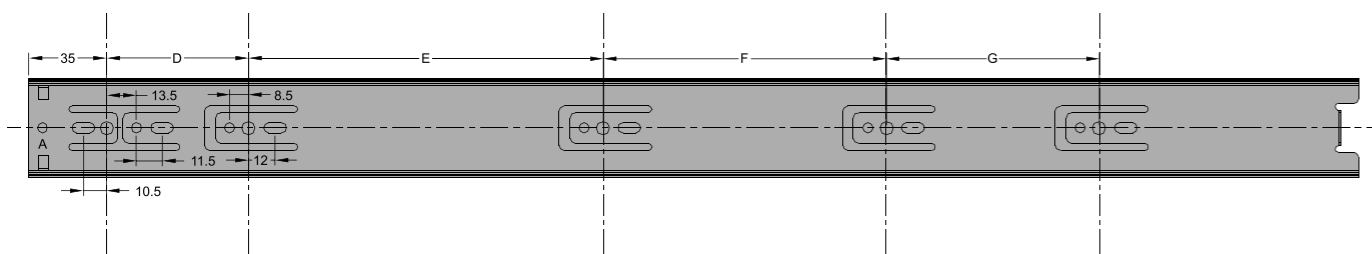
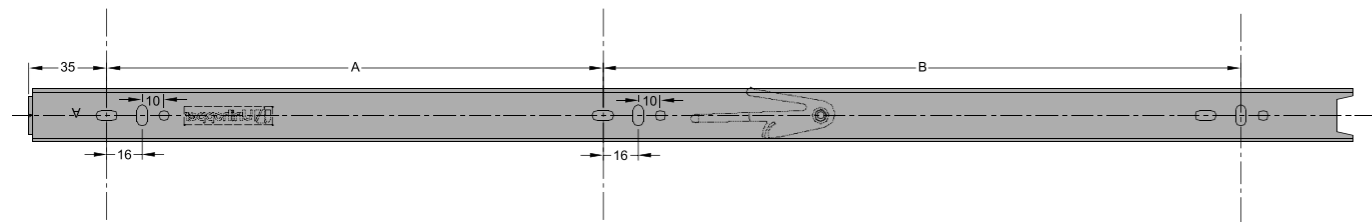
→ FEATURES

Material: High strength cold rolled steel, metal damper
 Advantage: Easy assembling, quiet, and good corrosion resistance
 Load capacity of 30kgs
 Color: Zinc plated, black plated
 Size: 250/300/350/400/450/500/550/600mm
 The Min Depth of the Inner cabinet = Nominal length + 3MM



Item code	Nominal length	A (mm)	B (mm)	D (mm)	E (mm)	F (mm)	G (mm)	
DS2401.250.(*)	250mm	160		160				15Sets
DS2401.300.(*)	300mm	96	128	96	128			15Sets
DS2401.350.(*)	350mm	96	160	64	160			15Sets
DS2401.400.(*)	400mm	128	192	64	160	64		15Sets
DS2401.450.(*)	450mm	160	192	64	160	128		15Sets
DS2401.500.(*)	500mm	192	224	64	160	128		15Sets
DS2401.550.(*)	550mm	192	256	64	160	128	96	15Sets
DS2401.600.(*)	600mm	224	288	64	160	128	96	15Sets

Remarks:(A):Color: ZP /BK



GAS HINGE SYSTEM



HUTTON **NEW**



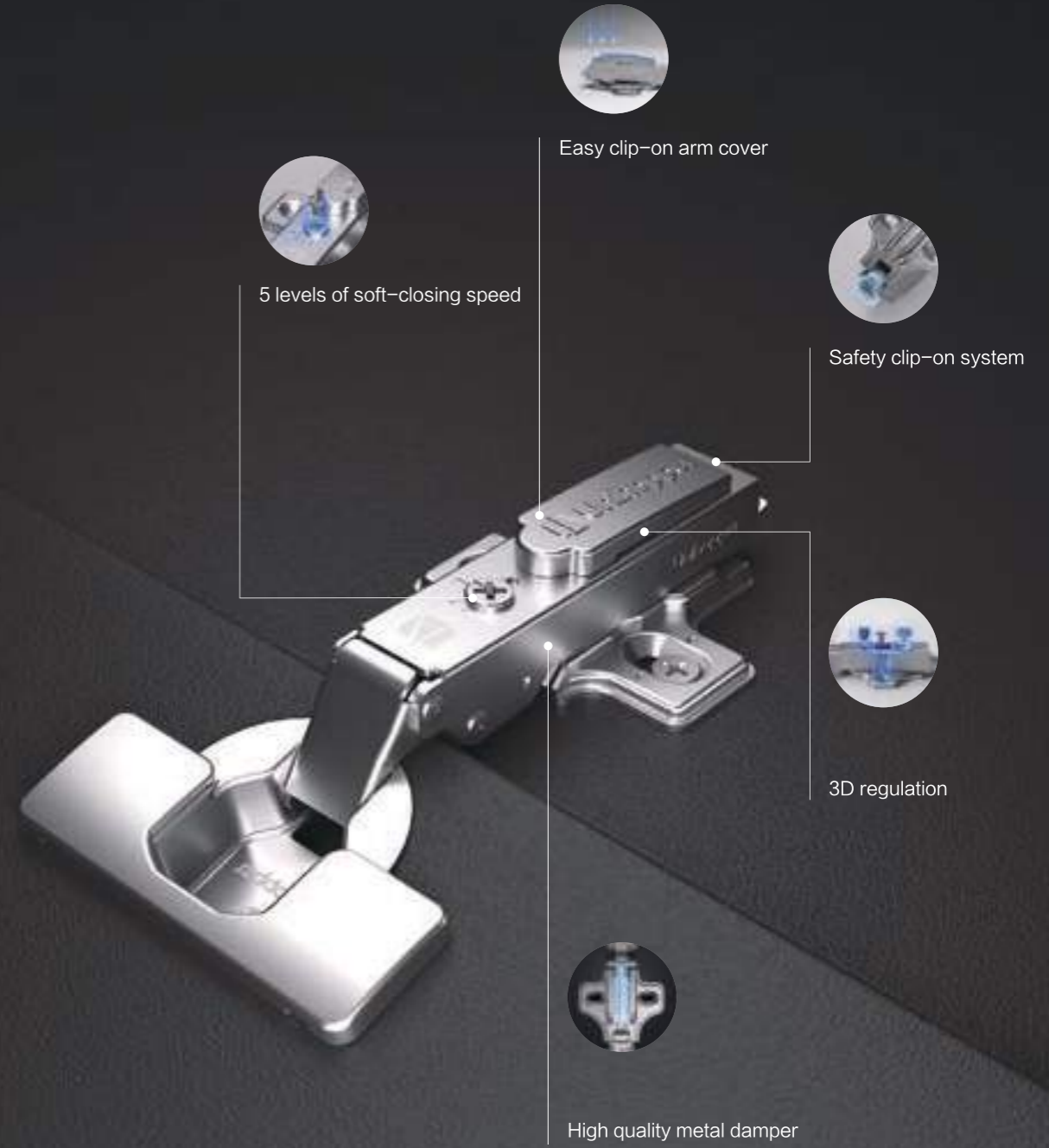
HUTTON **NEW**

80000

80000 LIFE CYCLES

GAS HINGE SYSTEM

SOFT CLOSING HINGE - Perfect solution with high quality soft closing for every cabinet doors.



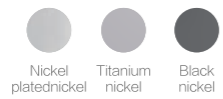


Product Image

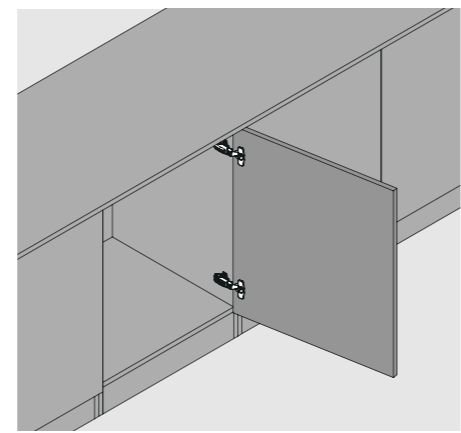


Features

- Opening Angle:105°
- Cup diameter:35mm
- Depth:11.7mm
- Distance:3~7mm
- Hole distance:48mm
- Door thickness:14~20mm
- Two way structure, soft and quite
- Clip-on Adjustment with soft closing
- 5 levels of soft-closing speed
- 5° degree touch off soft closing

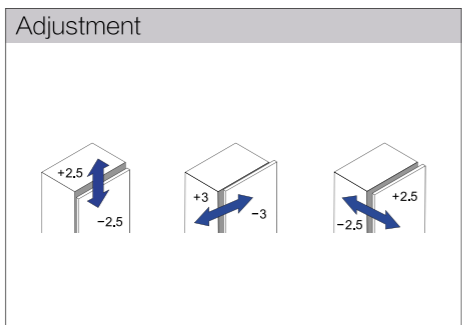
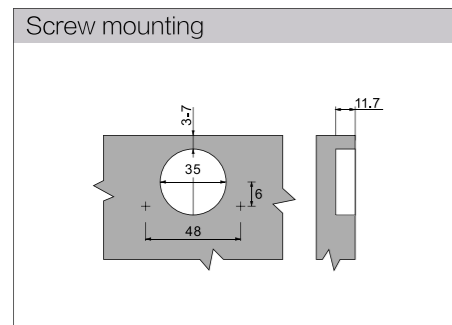
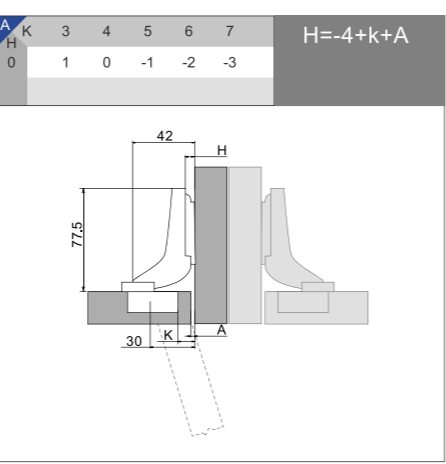
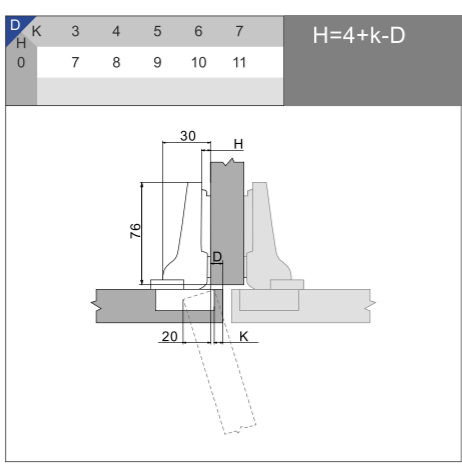
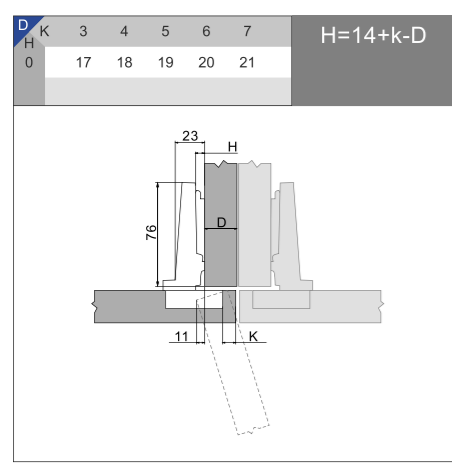


Application



Order information

Full overlay	Half overlay	Insert
Wooden screw(M4X16) 100Pcs	Wooden screw(M4X16) 100Pcs	Wooden screw(M4X16) 100Pcs
Concealed HG1133.C0.B1	Concealed HG1133.C8.B1	Concealed HG1133.C15.B1
Two hole HG1133.C0.A1	Two hole HG1133.C8.A1	Two hole HG1133.C15.A1
3D HG1133.C0.B	3D HG1133.C8.B	3D HG1133.C15.B
Four hole HG1133.C0.A2	Four hole HG1133.C8.A2	Four hole HG1133.C15.A2

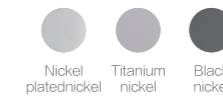


Product Image

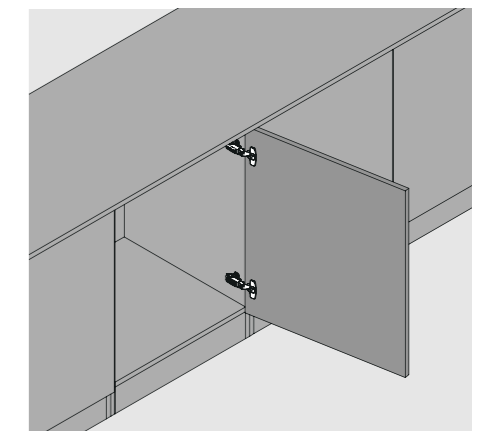


Features

- Opening Angle:105°
- Cup diameter:35mm
- Depth:11.7mm
- Distance:3~7mm
- Hole distance:48mm
- Door thickness:14~20mm
- Two way structure, soft and quite
- Fixed gas hinge
- 5 levels of soft-closing speed
- 5° degree touch off soft closing

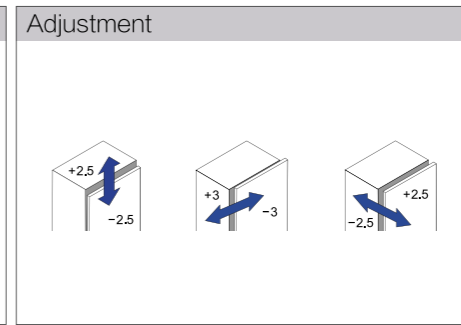
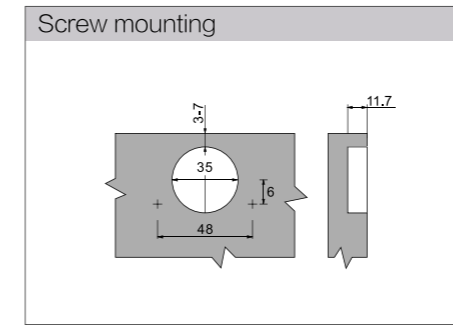
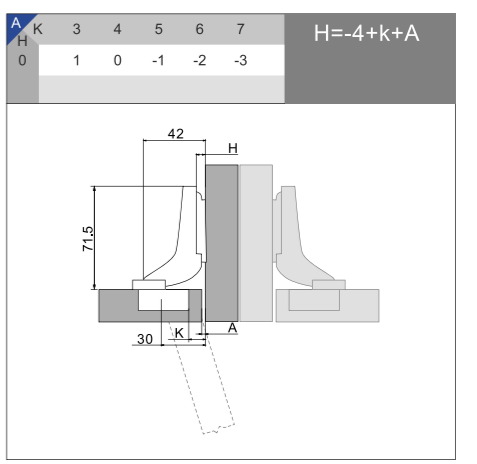
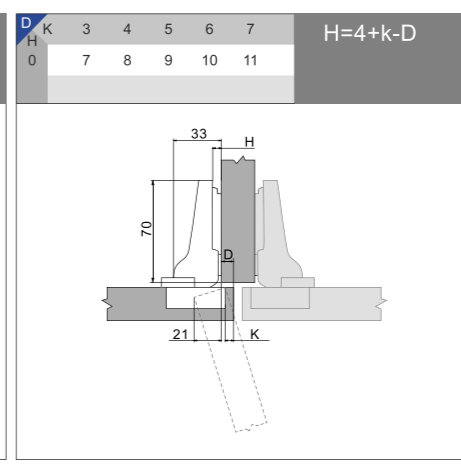
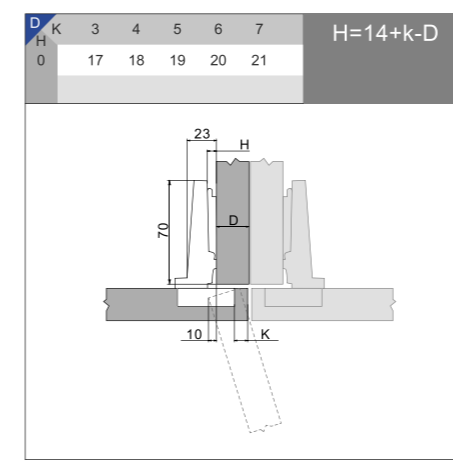


Application



Order information

Full overlay	Half overlay	Insert
Wooden screw(M4X16) 100Pcs	Wooden screw(M4X16) 100Pcs	Wooden screw(M4X16) 100Pcs
Four hole fixed base HG1133.N0.A2	Four hole fixed base HG1133.N8.A2	Four hole fixed base HG1133.N15.A2



SETTON

The design is inspired by the aesthetics of sports cars. The streamlined appearance makes the dull corners hidden in each cabinet more flexible and shining. Scientific lateral release mode.



SETTON

80000

80000 LIFE CYCLES



GAS HINGE SYSTEM

SOFT CLOSING HINGE - Perfect solution with high quality soft closing for every cabinet doors.



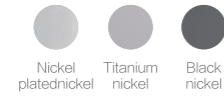


Product Image

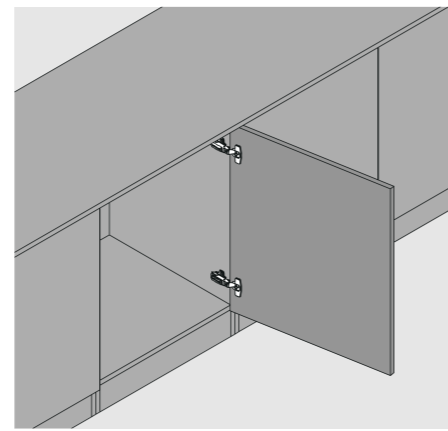


Features

Opening Angle:105°
 Cup diameter:35mm
 Depth:11.5mm
 Distance:3~7mm
 Hole distance:48mm
 Door thickness:14~20mm
 Two way structure, soft and quite
 Clip-on Adjustment with soft closing



Application



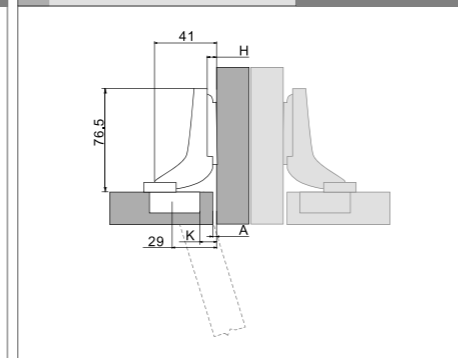
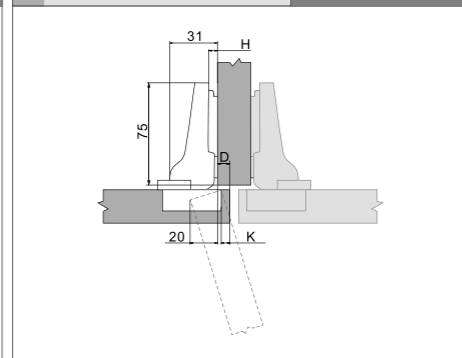
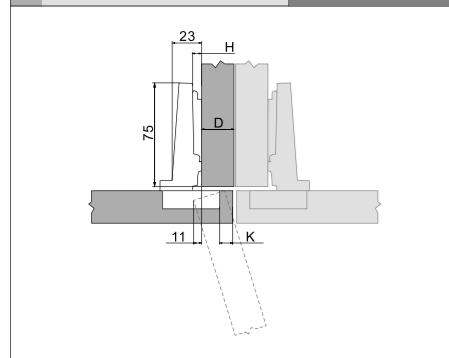
Order information

Full overlay	Half overlay	Insert
Wooden screw(M4X16) 100Pcs	Wooden screw(M4X16) 100Pcs	Wooden screw(M4X16) 100Pcs
Two hole HG1112.C0.A1	Two hole HG1112.C8.A1	Two hole HG1112.C15.A1
3D HG1112.C0.B	3D HG1112.C8.B	3D HG1112.C15.B
Four hole HG1112.C0.A2	Four hole HG1112.C8.A2	Four hole HG1112.C15.A2

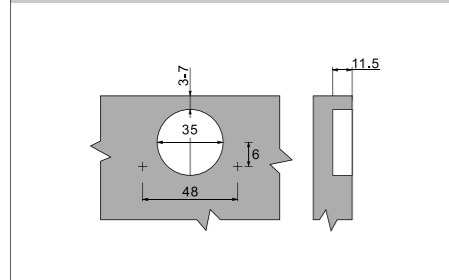
D	K	3	4	5	6	7	H=14+k-D
0	17	18	19	20	21		

D	K	3	4	5	6	7	H=4+k-D
0	7	8	9	10	11		

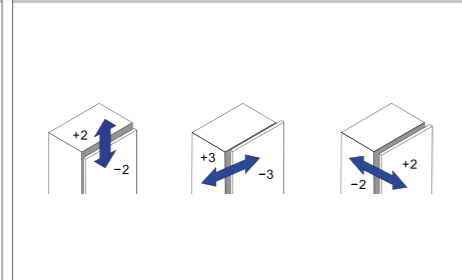
A	K	3	4	5	6	7	H=-4+k+A
0	1	0	-1	-2	-3		



Screw mounting



Adjustment

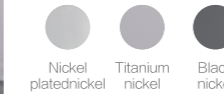


Product Image

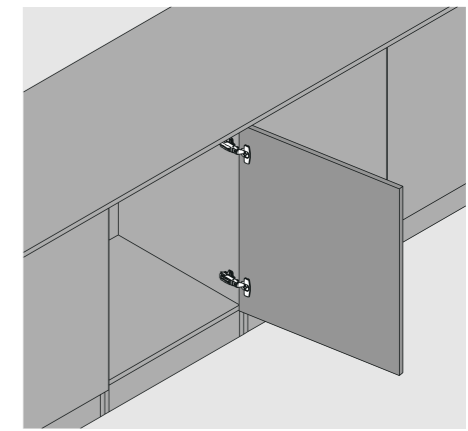


Features

Opening Angle:105°
 Cup diameter:35mm
 Depth:11.7mm
 Distance:3~7mm
 Hole distance:48mm
 Door thickness:14~20mm
 Two way structure, soft and quite
 Clip-on Adjustment non- soft closing



Application



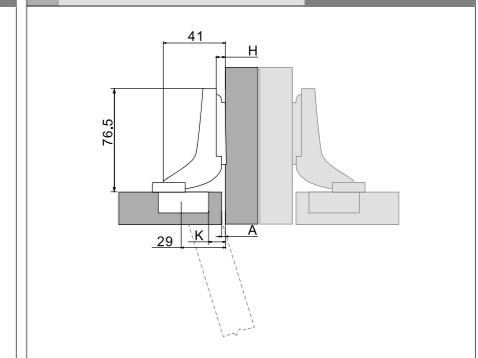
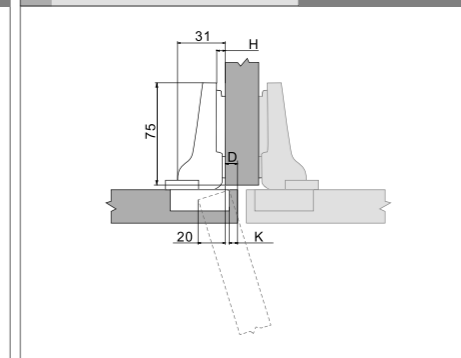
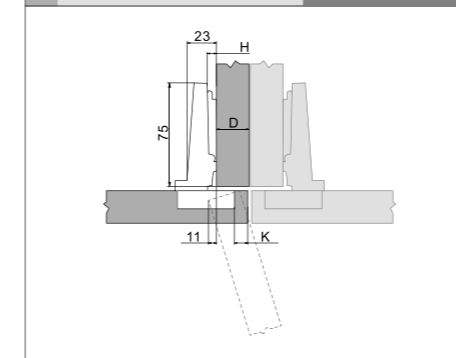
Order information

Full overlay	Half overlay	Insert
Wooden screw(M4X16) 100Pcs	Wooden screw(M4X16) 100Pcs	Wooden screw(M4X16) 100Pcs
Two hole HG1112N.C0.A1	Two hole HG1112N.C8.A1	Two hole HG1112N.C15.A1
3D HG1112N.C0.B	3D HG1112N.C8.B	3D HG1112N.C15.B
Four hole HG1112N.C0.A2	Four hole HG1112N.C8.A2	Four hole HG1112N.C15.A2

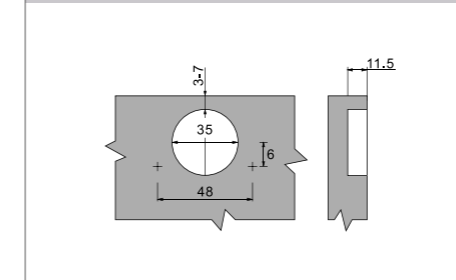
D	K	3	4	5	6	7	H=14+k-D
0	17	18	19	20	21		

D	K	3	4	5	6	7	H=4+k-D
0	7	8	9	10	11		

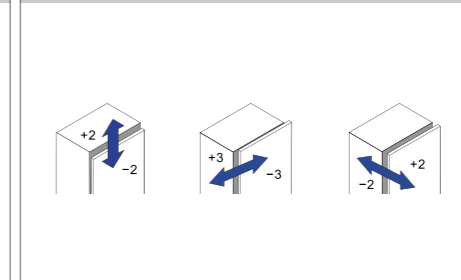
A	K	3	4	5	6	7	H=-4+k+A
0	1	0	-1	-2	-3		



Screw mounting



Adjustment



Damper *

Surface-Damper
Item code DP1101.(*) .(*)
Insert-damper
Item code DP2102.(*) .(*)

*Damper, see page189

PATTON

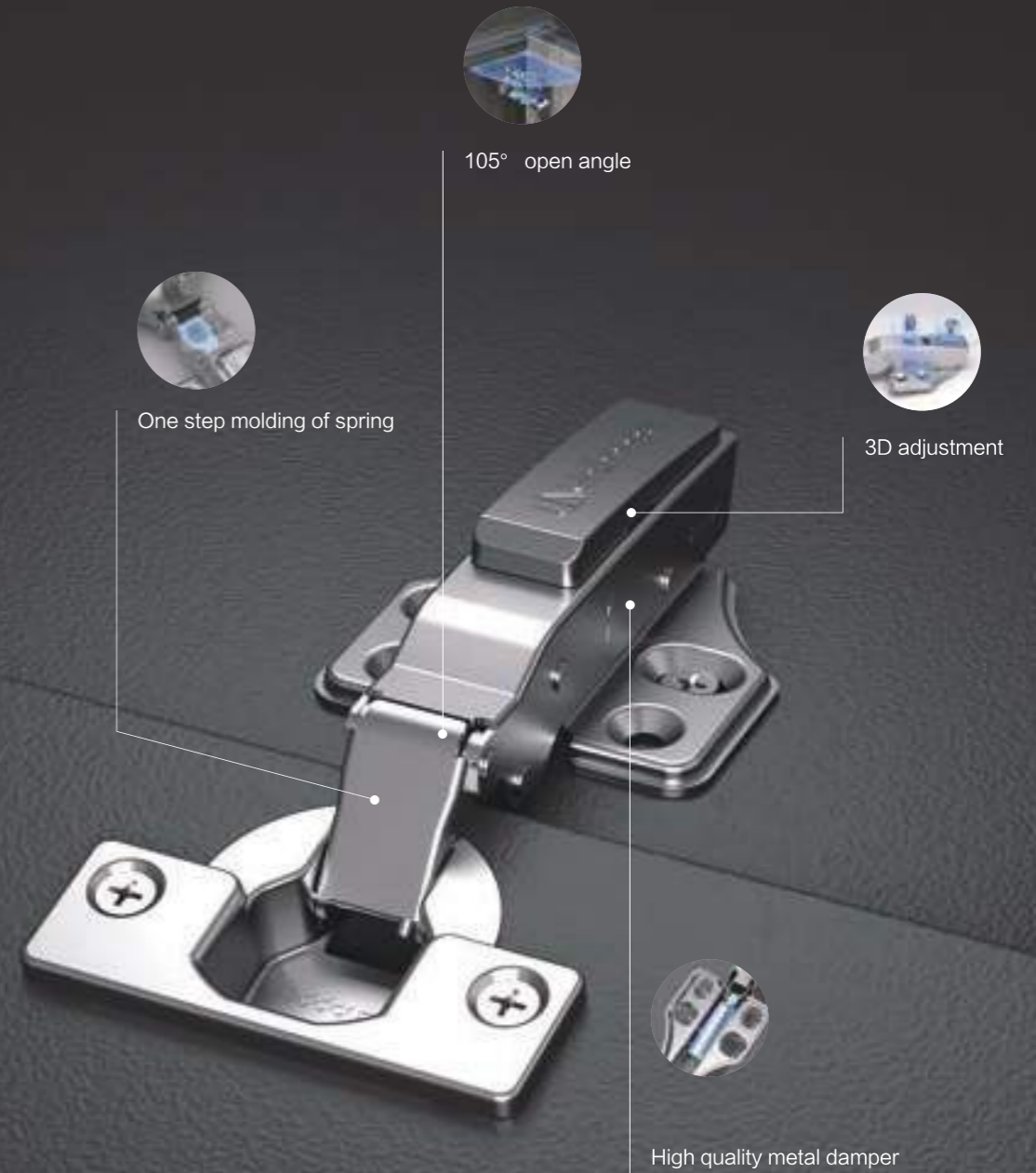
80000

80000 LIFE CYCLES



GAS HINGE SYSTEM

SOFT CLOSING HINGE - Perfect solution with high quality soft closing for every cabinet doors.





PATTON

HG1135-Fixed gas hinge

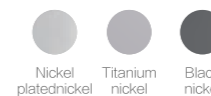


Product Image

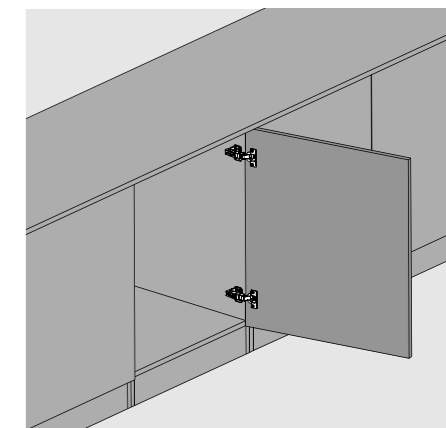


Features


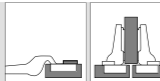
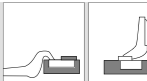
- Opening Angle:105°
- Cup diameter:35mm
- Depth:11.7mm
- Distance:3~7mm
- Hole distance:48mm
- Door thickness:14~20mm
- Two way structure, soft and quite
- Fixed gas hinge

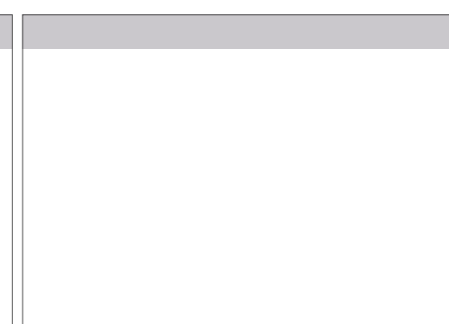
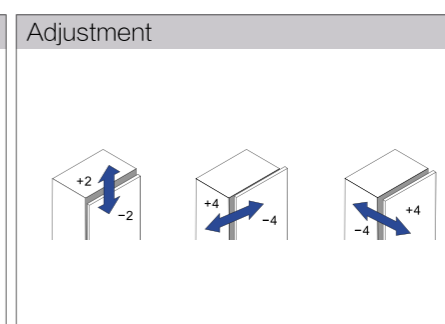
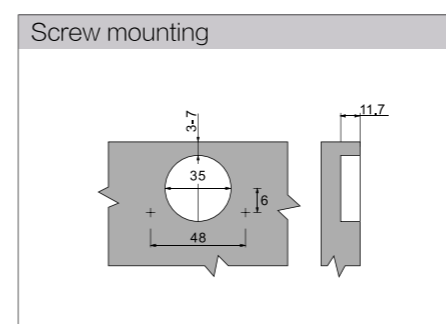
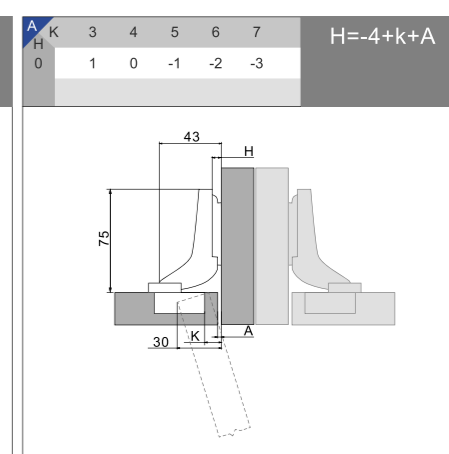
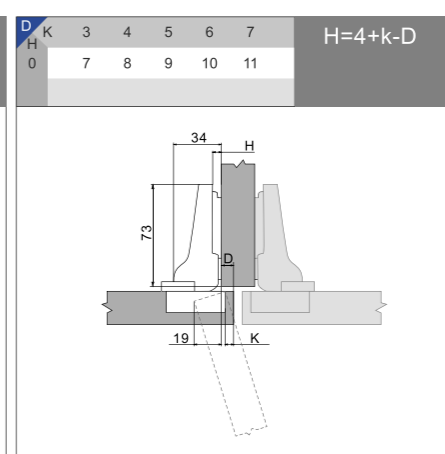
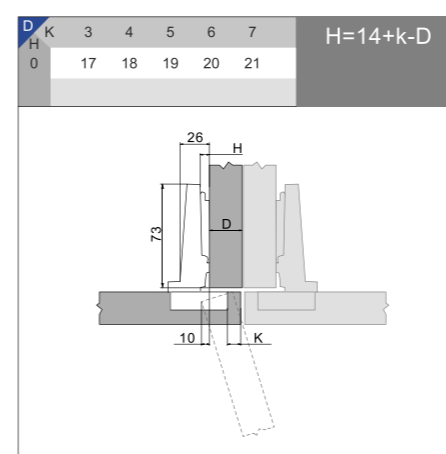


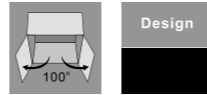
Application



Order information

Full overlay	Half overlay	Insert
		
Wooden screw(M4X16)	Wooden screw(M4X16)	Wooden screw(M4X16)
100Pcs	100Pcs	100Pcs
Four hole fixed base HG1135.N0.A2	Four hole fixed base HG1135.N8.A2	Four hole fixed base HG1135.N15.A2



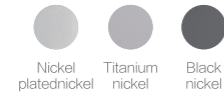


Product Image

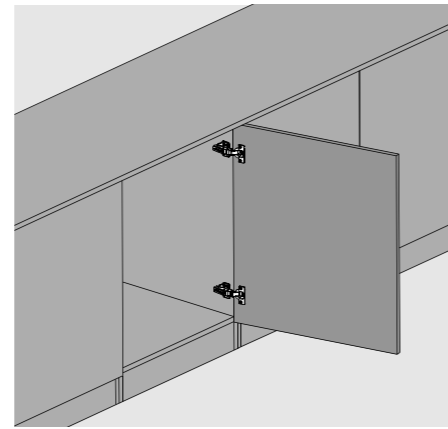


Features

Opening Angle:105°
 Cup diameter:35mm
 Depth:11.7mm
 Distance:3~7mm
 Hole distance:48mm
 Door thickness:14~20mm
 Two way structure, soft and quite
 Fixed non- soft closing

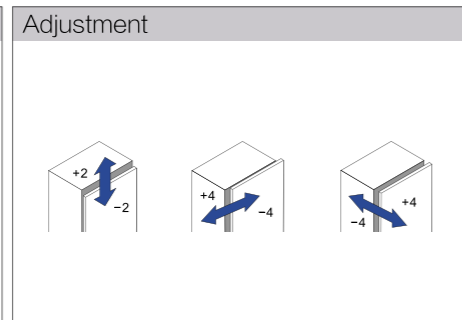
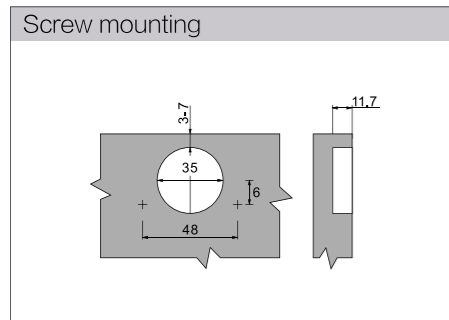
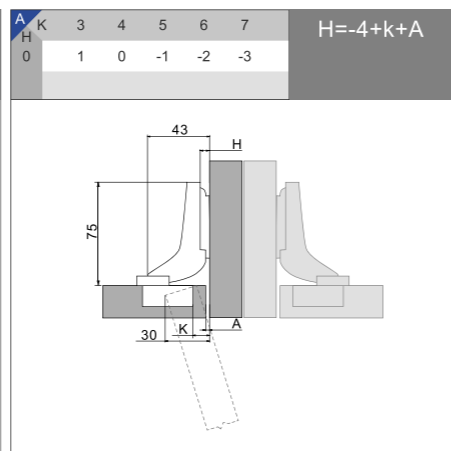
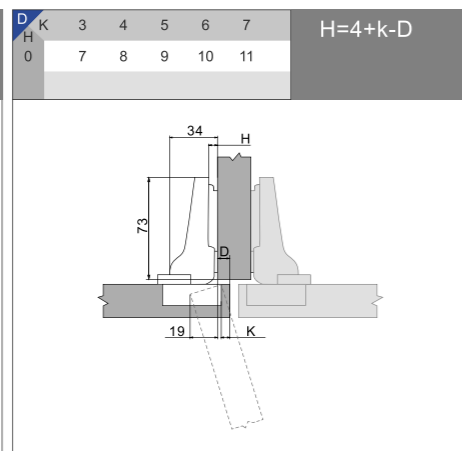
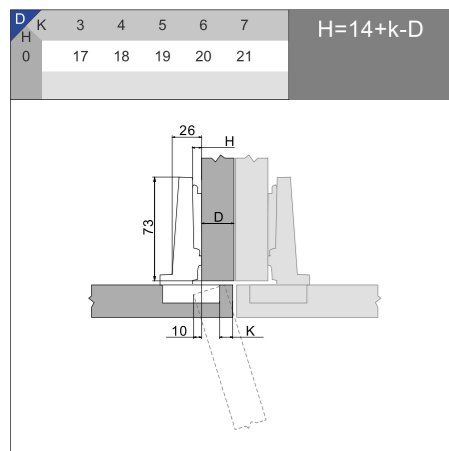


Application



Order information

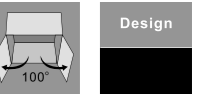
Full overlay	Half overlay	Insert
Wooden screw(M4X16)	Wooden screw(M4X16)	Wooden screw(M4X16)
100Pcs	100Pcs	100Pcs
Four hole fixed base	Four hole fixed base	Four hole fixed base
HG1135N.N0.A2	HG1135N.N8.A2	HG1135N.N15.A2



Damper *

Surface-Damper
Item code
DP1101.(*) .(*)
Insert-damper
Item code
DP2102.(*) .(*)

*Damper, see page189

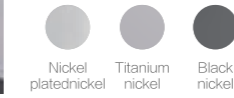


Product Image

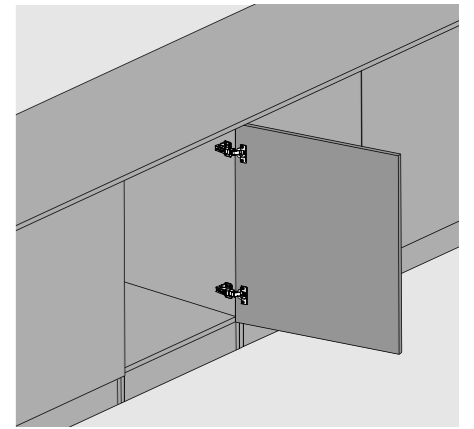


Features

Opening Angle:105°
 Cup diameter:35mm
 Depth:11.7mm
 Distance:3~7mm
 Hole distance:48mm
 Door thickness:14~20mm
 Fixed non-force

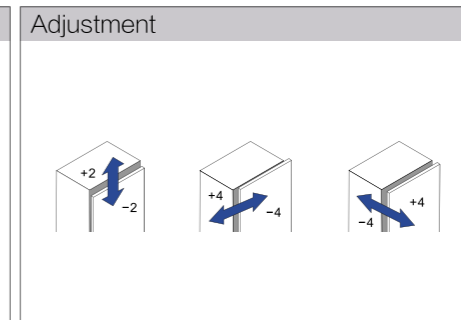
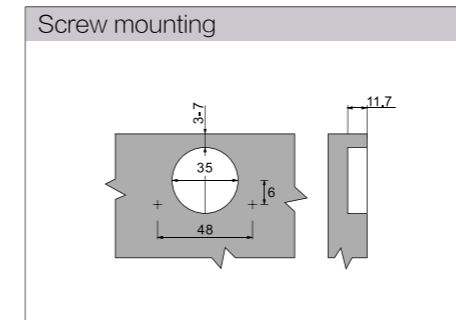
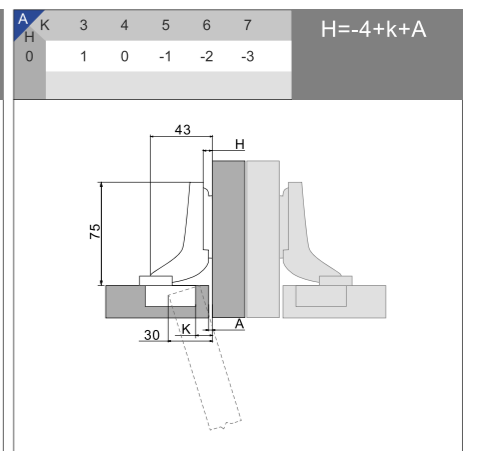
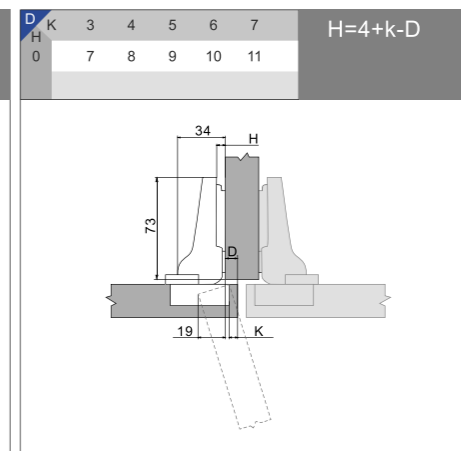
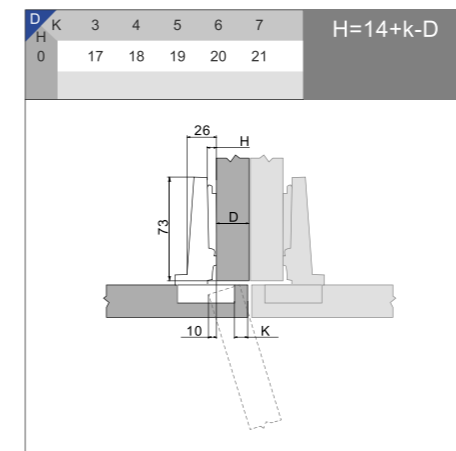


Application



Order information

Full overlay	Half overlay	Insert
Wooden screw(M4X16)	Wooden screw(M4X16)	Wooden screw(M4X16)
100Pcs	100Pcs	100Pcs
Four hole fixed base	Four hole fixed base	Four hole fixed base
HG1135F.N0.A2	HG1135F.N8.A2	HG1135F.N15.A2



Bracket-Metal rebounder *

Metal rebounder
Item code
MC1113C.GR

*Metal rebounder, see page190

GAS HINGE-30°

HG1425 Clip on 3D 30degree Soft closing hinge



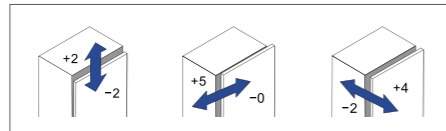
Product Image



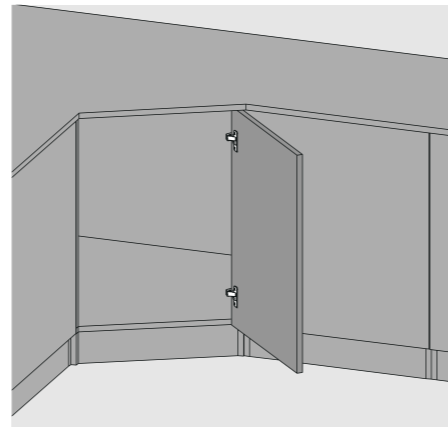
Features

Closing Angle:30°
Cup diameter:35mm
Depth:11.7mm
Distance:3~7mm
Hole distance:48mm
Door thickness:14~20mm
Clip on 3D 30degree Soft closing hinge

Adjustment



Application



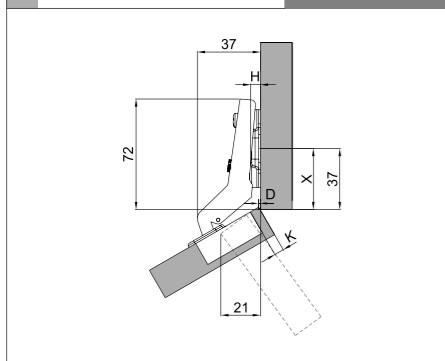
Order information

Wooden screw(M4X16)		100Pcs
	Two hole	HG1425.C30.A1
	3D	HG1425.C30.B
	Four hole	HG1425.C30.A2

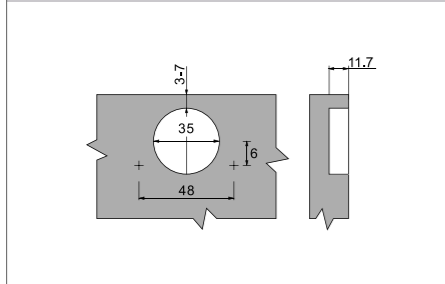
Application



X	4	5	6	7
P	37	36	35	34
H	-0.5	-0.4	1.3	2.2



Screw mounting



GAS HINGE-45°

HG1426 Clip on 3D 45degree Soft closing hinge



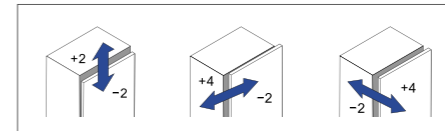
Product Image



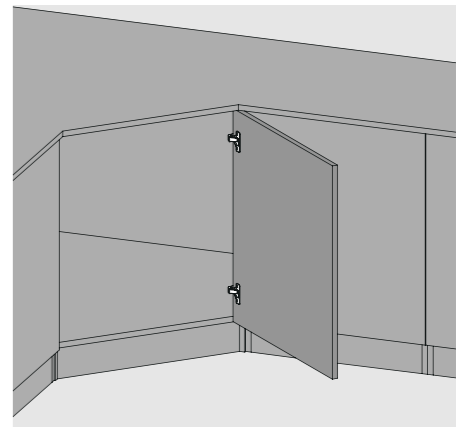
Features

Closing Angle:45°
Cup diameter:35mm
Depth:11.7mm
Distance:3~7mm
Hole distance:48mm
Door thickness:14~20mm
Clip on 3D 45degree Soft closing hinge

Adjustment



Application



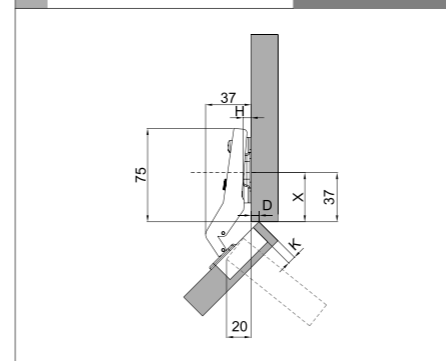
Order information

Wooden screw(M4X16)		100Pcs
	Two hole	HG1426.C45.A1
	3D	HG1426.C45.B
	Four hole	HG1426.C45.A2

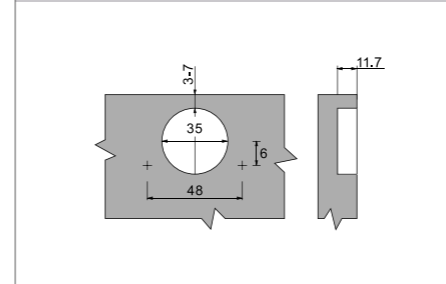
Application



X	4	5	6	7
P	37	36	35	34
H	4.5	5.2	5.9	6.6



Screw mounting



GAS HINGE-90°

HG1407 Clip on 3D 90degree Soft closing hinge



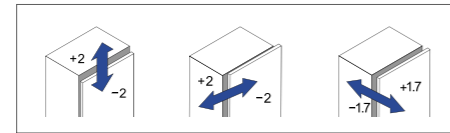
Product Image



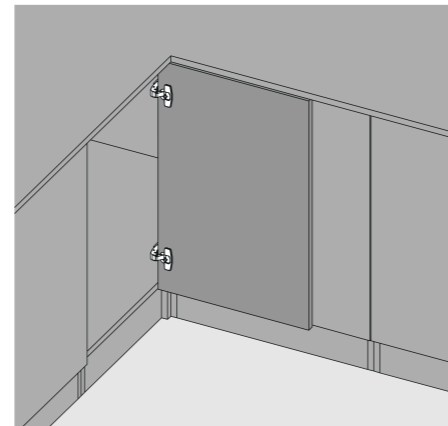
Features

Closing Angle:90°
Cup diameter:35mm
Depth:11.5mm
Distance:3~7mm
Hole distance:48mm
Door thickness:14~20mm
Two way structure, soft and quite
Clip on 3D 90degree Soft closing hinge

Adjustment



Application



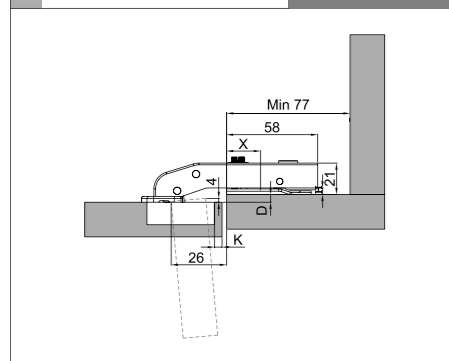
Order information

Wooden screw(M4X16)		
100Pcs		
	Two hole	HG1407.C90.A1
	3D	HG1407.C90.B
	Four hole	HG1407.C90.A2

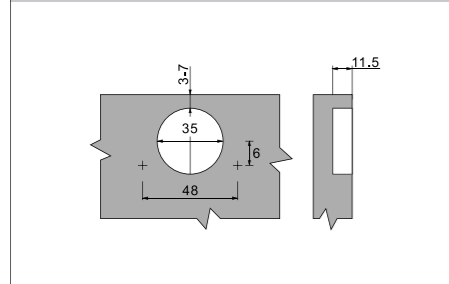
Application



X	K	4	5	6	7
0		19	3	18	3
2		19	1	18	1



Screw mounting



GAS HINGE-135°

HG2419 Clip on 3D 135 degree hinge



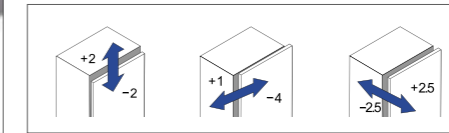
Product Image



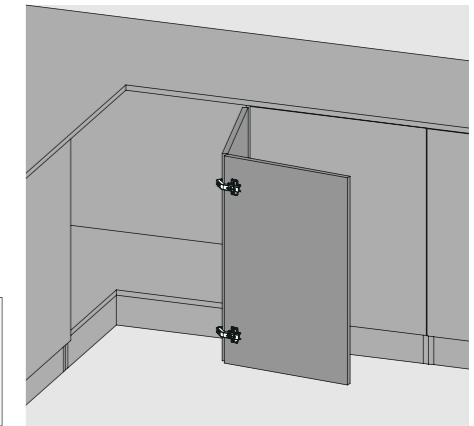
Features

Closing Angle:135°
Cup diameter:35mm
Depth:11.7mm
Distance:3~7mm
Hole distance:48mm
Door thickness:14~20mm
Clip on 3D 135 degree hinge

Adjustment



Application



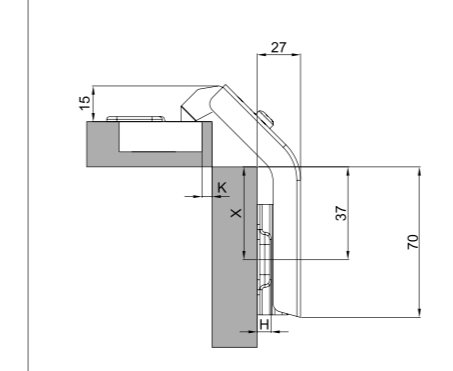
Order information

Wooden screw(M4X16)		
100Pcs		
	Two hole	HG2419.C135.A1
	3D	HG2419.C135.B
	Four hole	HG2419.C135.A2

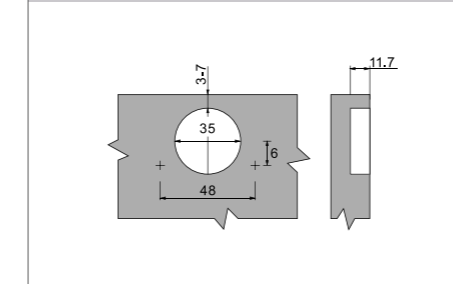
Application



	Panel thickness<18mm	22mm>Panel thickness>18mm
H	2	0
X	37	37



Screw mounting



GAS HINGE-165°

HG1424 Clip on 165degree Soft closing hinge



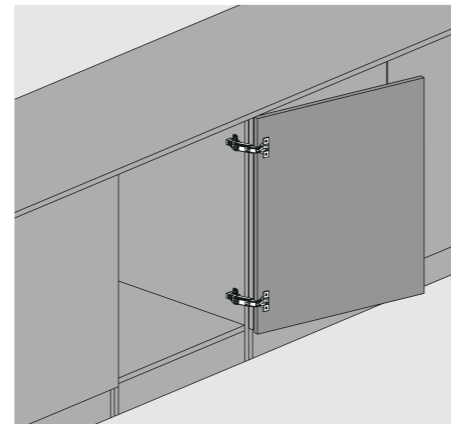
Product Image



Features

- Closing Angle:165°
- Cup diameter:35mm
- Depth:11.7mm
- Distance:3~7mm
- Hole distance:48mm
- Door thickness:14~25mm
- Clip on 165degree Soft closing hinge

Application



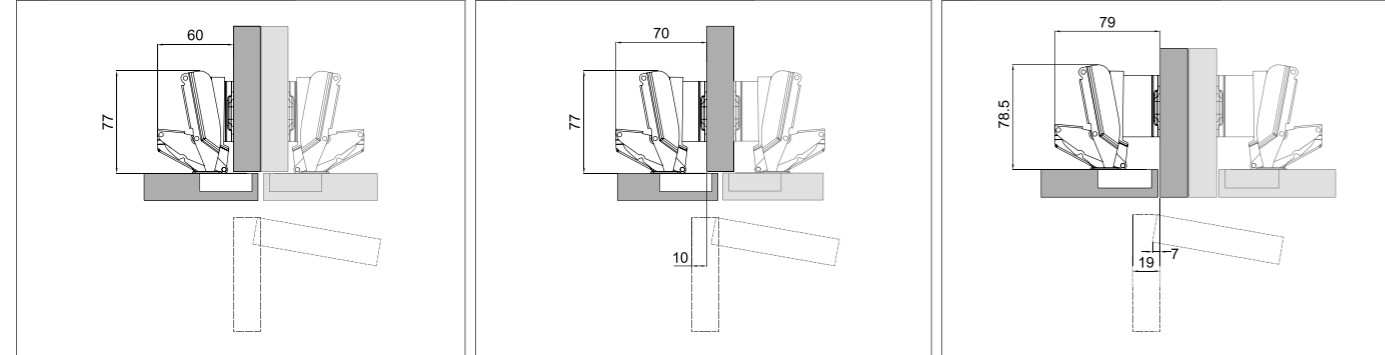
Order information

Full overlay	Half overlay	Insert
Wooden screw(M4X16)	Wooden screw(M4X16)	Wooden screw(M4X16)
100Pcs	100Pcs	100Pcs
Four hole	Four hole	Four hole
HG1424.C0.A2	HG1424.C0.A2	HG1424.C0.A2

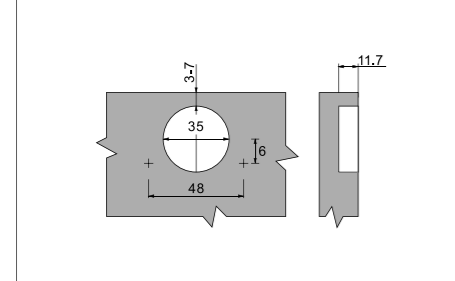
D	K	3	4	5	6	7	H=14+k-D
H	0	17	18	19	20	21	

D	K	3	4	5	6	7	H=4+k-D
H	0	7	8	9	10	11	

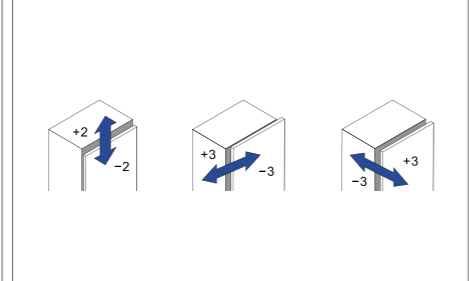
A	K	3	4	5	6	7	H=k+A
H	0	1	0	-1	-2	-3	



Screw mounting



Adjustment



FACE FRAME GAS HINGE



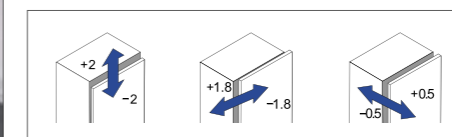
Product Image



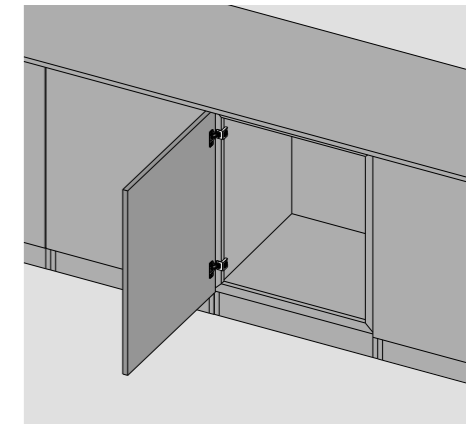
Features

- Closing Angle:105°
- Cup diameter:35mm
- Depth:11mm
- Distance:3mm
- Hole distance:42、45mm
- Door thickness:14~26 mm
- Face frame gas hinge

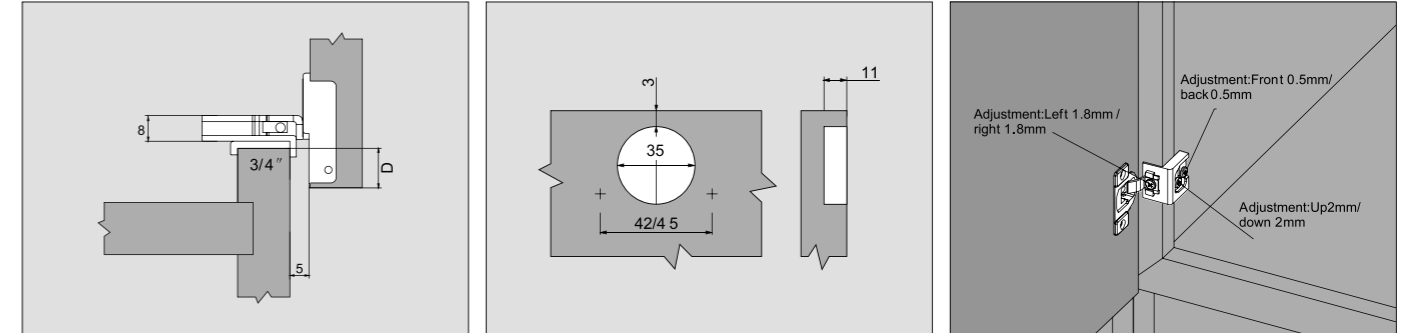
Adjustment



Application



Installation instruction




Order information

3D-Face fram e hing e					Face frame hinge				
D		3D-S oft closing	3D-non-S oft closing		D		Soft closing	Non-So ft closing	
1/2"	12.7mm	HG1602.1 3	HG2601.13	300Pcs	1/2"	12.7mm	HG1603.1 3	HG2602.1 3	300Pcs
1"	25.4m m	HG1602.2 5	HG2601.2 5	300Pcs	1"	25.4m m	HG1603.2 5	HG2602.2 5	300Pcs
1-1/4 "	31.7m m	HG1602.3 2	HG2601.32	300Pcs	1-1/4 "	31.7mm	HG1603.3 2	HG2602.3 2	300Pcs
1-5/1 6"	33.3m m	HG1602.3 3	HG2601.33	300Pcs	1-5/16 "	33.3mm	HG1603.3 3	HG2602.3 3	300Pcs
1-3/8 "	34.9m m	HG1602.3 5	HG2601.35	300Pcs	1-3/8 "	34.9mm	HG1603.3 5	HG2602.3 5	300Pcs
1-1/2 "	38.1m m	HG1602.3 8	HG2601.38	300Pcs	1-1/2 "	38.1mm	HG1603.3 8	HG2602.3 8	300Pcs


Product Image



Order information

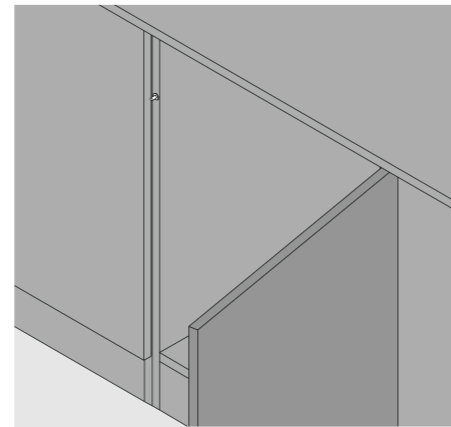
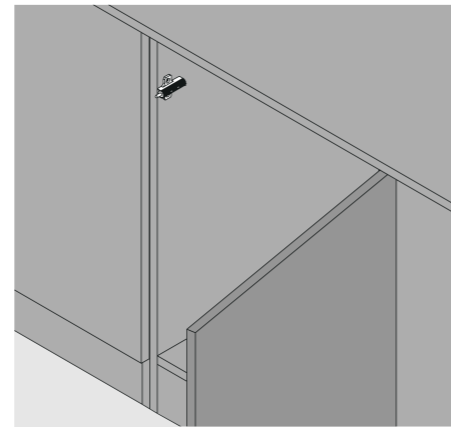
Surface-Damper	
	Surface-Damper
	Item code
	DP1101.(*) .(*)

Remarks:
 (*)Loading capacity:L=Light typeM=MediumH=Heavy type
 (‡):Color:GR/WT/BR

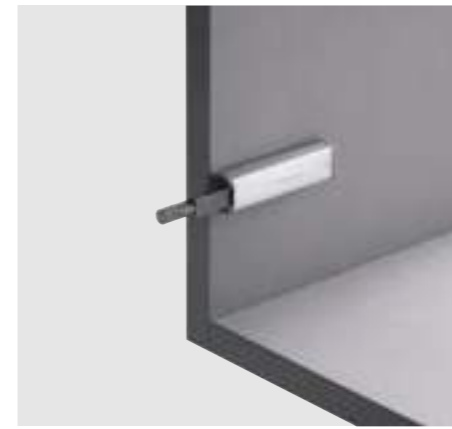
Insert-damper	
	Insert-damper (D10*L53mm)
	Item code
	DP2102.(*) .(*)

Remarks:
 (*)Loading capacity:L=Light typeM=MediumH=Heavy type
 (‡):Color:GR/WT/BR


Application



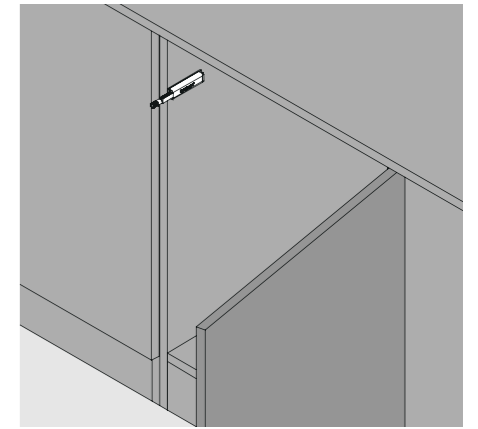
Product Image



Order information

Bracket-Metal rebounder	
	Metal rebounder
	Item code
	MC1113C.GR

Application



CABINET SUPPORT SYSTEM



TWO-WAY SLOW MOTION

Design

Product Image



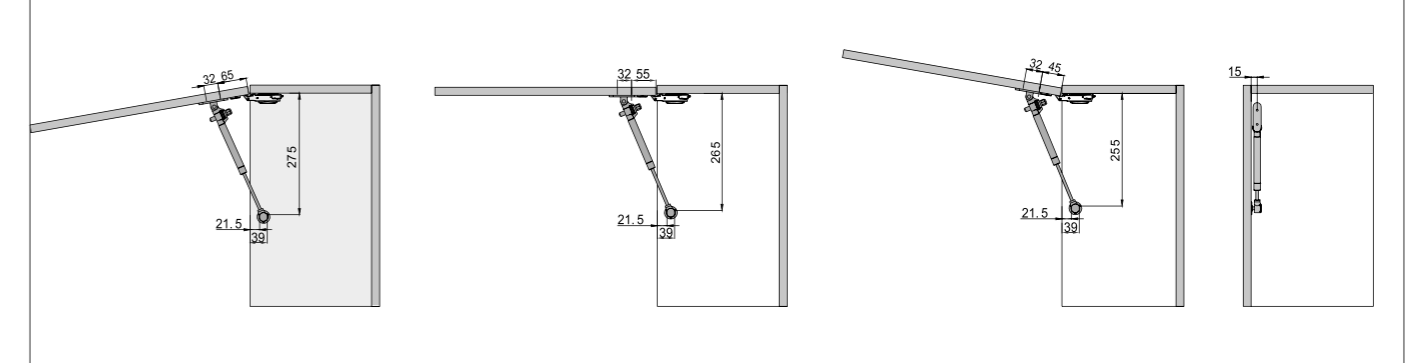
Features

- Passed 100,000 times life cycles
- Adjustable soft closing speed
- Recycled plastic
- two-way slow motion
- N:50N-150N

Item code	Description	
CS1101J.(*)GR	Two-way slow motion	100Sets

Remarks: (*):N:050/060/070/080/090/100/110/120/130/140/150

Space required



INSTALLATION INSTRUCTION

DOORS HEIGHT	DOOR WIDTH			
	450	600	900	1200
400	50N*2	50N*2	80N*2	100N*2
500	50N*2	100N*2	100N*2	150N*2
600	80N*2	100N*2	150N*2	



KITCHEN STORAGE ORGANIZER



DRAWER TYPE STORAGE BINS



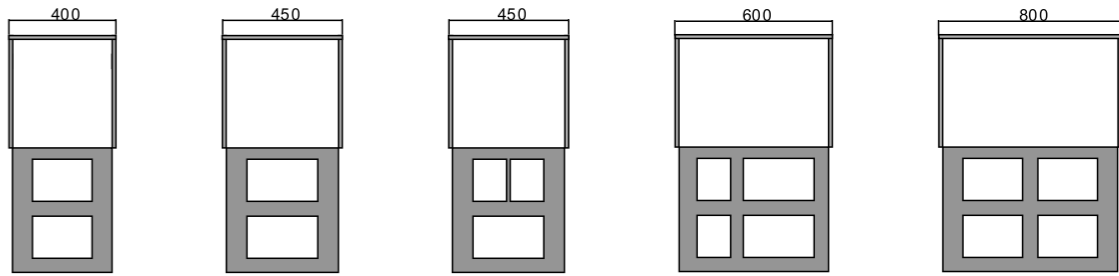
Product Image



Features

Clip-on two way slow motion slides, 53mm soft closing distance
 Garbage classification, better for environment and resource recycling
 Two ways slow motion unibox, environmental protection plastic bins
 400mm、450mm、600mm、800mm cabinet width
 Dark grey

Combination



MODEL with Unibox	MODEL with Magic box	CABINET W (mm)	WIDTH x DEPTH x HEIGHT (mm) With slides	DESCRIPTION	PACKAGING
AB411S.040A1.DG	AB4119S.040A1.DG	400	364x500x480	2x20L	1 Set
AB411S.040A2.DG	AB4119S.040A2.DG	400	364x500x350	2x15L	1 Set
AB412S.045A1.DG	AB4120S.045A1.DG	450	414x500x480	2x24L	1 Set
AB412S.045A2.DG	AB4120S.045A2.DG	450	414x500x350	2x17L	1 Set
AB413S.045A1.DG	AB4121S.045A1.DG	450	414x500x480	24+2x10L	1 Set
AB413S.045A2.DG	AB4121S.045A2.DG	450	414x500x350	17+2x8L	1 Set
AB414S.060A1.DG	AB4122S.060A1.DG	600	564x500x480	2x24+2x10L	1 Set
AB414S.060A2.DG	AB4122S.060A2.DG	600	564x500x350	2x17+2x8L	1 Set
AB414S.080A1.DG	AB4122S.080A1.DG	800	764x500x480	4x20L	1 Set
AB414S.080A2.DG	AB4122S.080A2.DG	800	764x500x480	4x15L	1 Set

BOARD TYPE STORAGE BINS



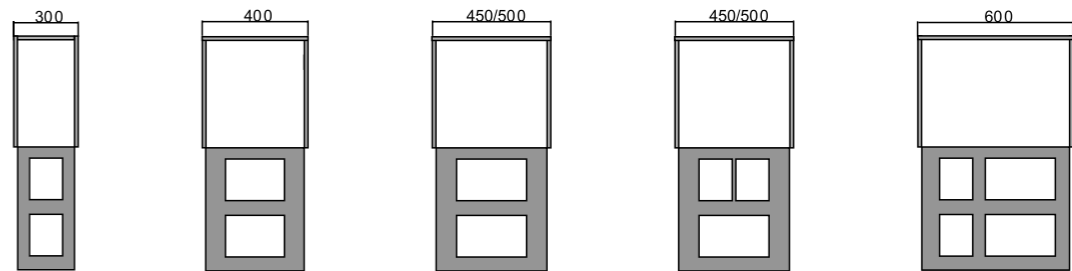
Product Image



Features

Clip-on two way slow motion slides, 53mm soft closing distance
 Garbage classification, better for environment and resource recycling
 Two ways slow motion slides, high strength steel board type frame,
 environmental protection plastic bins
 300mm、400mm、450mm、500mm、600mm cabinet width
 Dark grey

Combination



MODEL	CABINET W (mm)	WIDTH x DEPTH x HEIGHT (mm) With slides	DESCRIPTION	PACKAGING
AB4107S.030A1.DG	300	264x500x460	2x10L	1 Set
AB4107S.030A2.DG	300	264x500x330	2x8L	1 Set
AB4107S.040A1.DG	400	364x500x460	2x20L	1 Set
AB4107S.040A2.DG	400	364x500x330	2x15L	1 Set
AB4108S.045A1.DG	450	414x500x460	2x24L	1 Set
AB4108S.045A2.DG	450	414x500x330	2x17L	1 Set
AB4109S.045A1.DG	450	414x500x460	24+2x10L	1 Set
AB4109S.045A2.DG	450	414x500x330	17+2x8L	1 Set
AB4108S.050A1.DG	500	464x500x460	2x24L	1 Set
AB4108S.050A2.DG	500	464x500x330	2x17L	1 Set
AB4109S.050A1.DG	500	464x500x460	24+2x10L	1 Set
AB4109S.050A2.DG	500	464x500x330	17+2x8L	1 Set
AB4110S.060A1.DG	600	564x500x460	2x24+2x10L	1 Set
AB4110S.060A2.DG	600	564x500x330	2x17+2x8L	1 Set



BOARD TYPE STORAGE BINS -WO COVERS



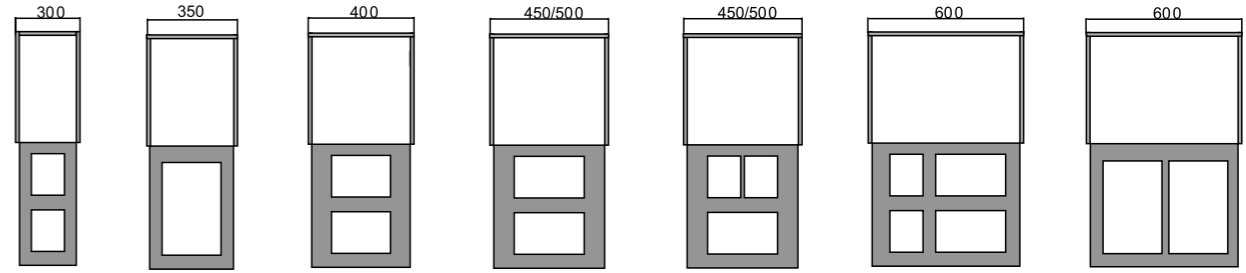
Product Image



Features

Clip-on two way slow motion slides, 53mm soft closing distance
 Garbage classification, better for environment and resource recycling
 Two ways slow motion slides, high strength steel board type frame, environmental protection plastic bins
 300mm, 400mm, 450mm, 500mm, 600mm cabinet width
 Dark grey

Combination



MODEL	CABINET W (mm)	WIDTH x DEPTH x HEIGHT (mm) With slides	DESCRIPTION	PACKAGING
AB4116S.030A1.DG	300	264x500x460	2x10L	1 Set
AB4116S.030A2.DG	300	264x500x330	2x8L	1 Set
AB4119S.035A1.DG	350	314x494x552	40L	1 Set
AB4116S.040A1.DG	400	364x500x460	2x20L	1 Set
AB4116S.040A2.DG	400	364x500x330	2x15L	1 Set
AB4116S.045A1.DG	450	414x500x460	2x24L	1 Set
AB4116S.045A2.DG	450	414x500x330	2x17L	1 Set
AB4116S.045B1.DG	450	414x500x460	24+2x10L	1 Set
AB4116S.045B2.DG	450	414x500x330	17+2x8L	1 Set
AB4116S.050A1.DG	500	464x500x460	2x24L	1 Set
AB4116S.050A2.DG	500	464x500x330	2x17L	1 Set
AB4116S.050B1.DG	500	464x500x460	24+2x10L	1 Set
AB4116S.050B2.DG	500	464x500x330	17+2x8L	1 Set
AB4116S.060A1.DG	600	564x500x460	2x24+2x10L	1 Set
AB4116S.060A2.DG	600	564x500x330	2x17+2x8L	1 Set
AB4116S.045A3.DG	450	414x495x549	2x30L	1 Set
AB4116S.050A3.DG	500	464x495x549	2x30L	1 Set
AB4116S.060A3DG	600	564x495x549	2x9+2x30L	1 Set
AB4119S.060A1.DG	600	564x494x552	2x40L	1 Set

BIG BIN

Product Image

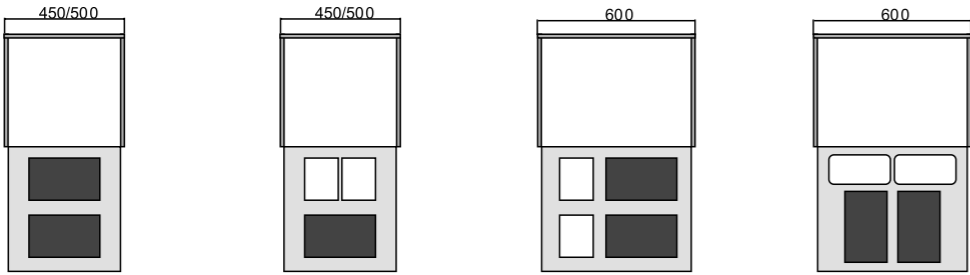


MODEL	VOLUME(L)	WxDxH(mm)	PACKAGING
AB1130.24.(A)	24	340x215x460	1 Set
AB1130.17.(A)	17	340x215x330	1 Set

Remarks:
(A):Color:Gray(GR)/Blue(BU)/Green(GN)/Orange(OG)


- GR
- BU
- GN
- OG

Combination



SMALL BIN

Product Image

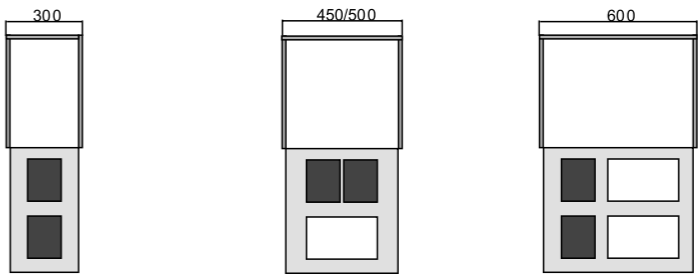


MODEL	VOLUME(L)	WxDxH(mm)	PACKAGING
AB1131.10.(A)	10	215x170x460	1 Set
AB1131.08.(A)	8	215x170x330	1 Set

Remarks:
(A):Color:Gray(GR)/Blue(BU)/Green(GN)/Orange(OG)

- GR
- BU
- GN
- OG

Combination



MEDIUM BIN

Product Image

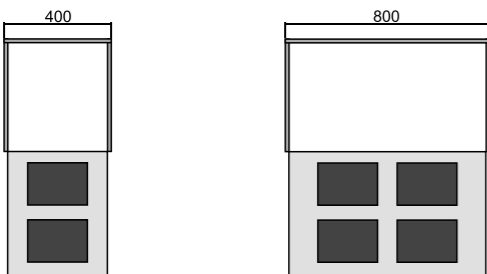


MODEL	VOLUME(L)	WxDxH(mm)	PACKAGING
AB1129.20.(A)	20	300x215x460	1 Set
AB1129.15.(A)	15	300x215x330	1 Set

Remarks:
(A):Color:Gray(GR)/Blue(BU)/Green(GN)/Orange(OG)


- GR
- BU
- GN
- OG

Combination



BIN-WITHOUT COVERS

Product Image



MODEL	VOLUME(L)	WxDxH(mm)	PACKAGING
AB1139.30.(A)	30	357x222x527	1 Set
AB1140.09.(A)	9	228x144x457	1 Set

Remarks:
(A):Color:Gray(GR)/Blue(BU)/Green(GN)/Orange(OG)

- GR
- BU
- GN
- OG

Combination

